



SolarEdge Electricity Meter

for North America

SE-MTR240-2-200-S1 / SE-MTR240-2-400-S1



ACCESSORIES

SolarEdge Electricity Meter

- Simple installation and connectivity
- Type NEMA 3R enclosure for outdoor protection
- Provides high accuracy meter readings
- Communicates over RS485 to provide monitoring data
- Suitable for export limitation, consumption monitoring and StorEdge™ applications



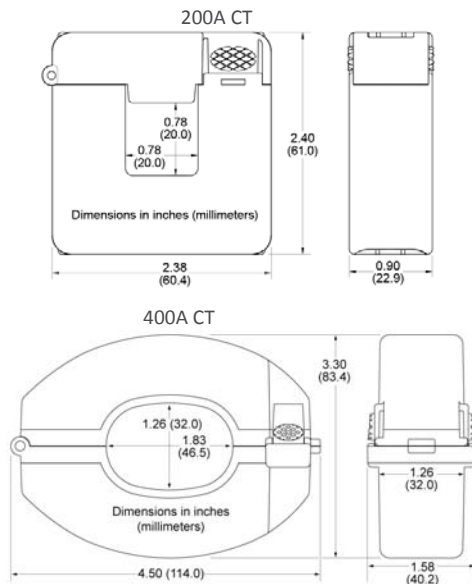
SolarEdge Electricity Meter for North America

SE-MTR240-2-200-S1 / SE-MTR240-2-400-S1

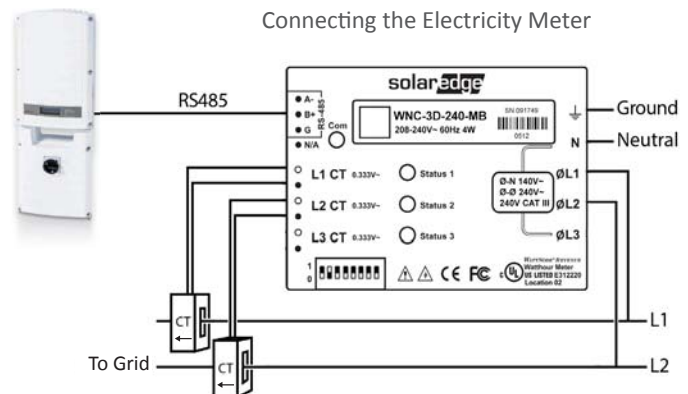
	SE-MTR240-2-200-S1	SE-MTR240-2-400-S1	UNITS
METER ELECTRICAL SERVICE			
Meter Operating Voltage Range - Line to Line	211 - 264		Vac
AC Frequency	60		Hz
Grids Supported	L1 / L2 / N / PE		
Power Consumption (typ.)	1.2		W
COMMUNICATION			
Meter Communication Interfaces	RS485		
Response Time	≤1 sec		
Device ID (Modbus)	2		
METER ACCURACY (@77°F / 25°C, PF:0.7- 1)			
1% - 100% of Rated CT Current	±1		%
CURRENT TRANSFORMERS			
Number of Supplied Current Transformers	2		
Rated RMS current*	200 A	400 A	
Dimensions (Internal ; External)	0.8 x 0.8 ; 2.4 x 2.4 / 20 x 20 ; 61 x 61	1.26 x 1.83 ; 3.3 x 4.5 / 32 x 46.5 ; 83.4 x 114	in / mm
STANDARD COMPLIANCE**			
Safety	UL508A		
Emissions	FCC part15 class B		
INSTALLATION SPECIFICATIONS			
Dimensions (HxWxD)	8.1 x 12.4 x 4.6 / 206.6 x 316 x 117.5		in / mm
Weight	3.9 / 1.8		lb / kg
Operating Temperature Range	-22 to +131 / -30 to +55		°F / °C
Protection Rating	NEMA Type 3R		
Conduit Entry Diameters	0.75 / 1		in / mm
Mounting Type	Wall mount		

* For other ratings contact SolarEdge
 ** Pending

Current Transformer Dimensions



Connecting the Electricity Meter



© SolarEdge Technologies, Inc. All rights reserved. SOLAREEDGE, the SolarEdge logo, OPTIMIZED BY SOLAREEDGE are trademarks or registered trademarks of SolarEdge Technologies, Inc. All other trademarks mentioned herein are trademarks of their respective owners. Date: 08/2016. V.01. Subject to change without notice.

Blue Pacific Solar™
 www.BluePacificSolar.com