

Power Optimizer Specifications – P600 / P700

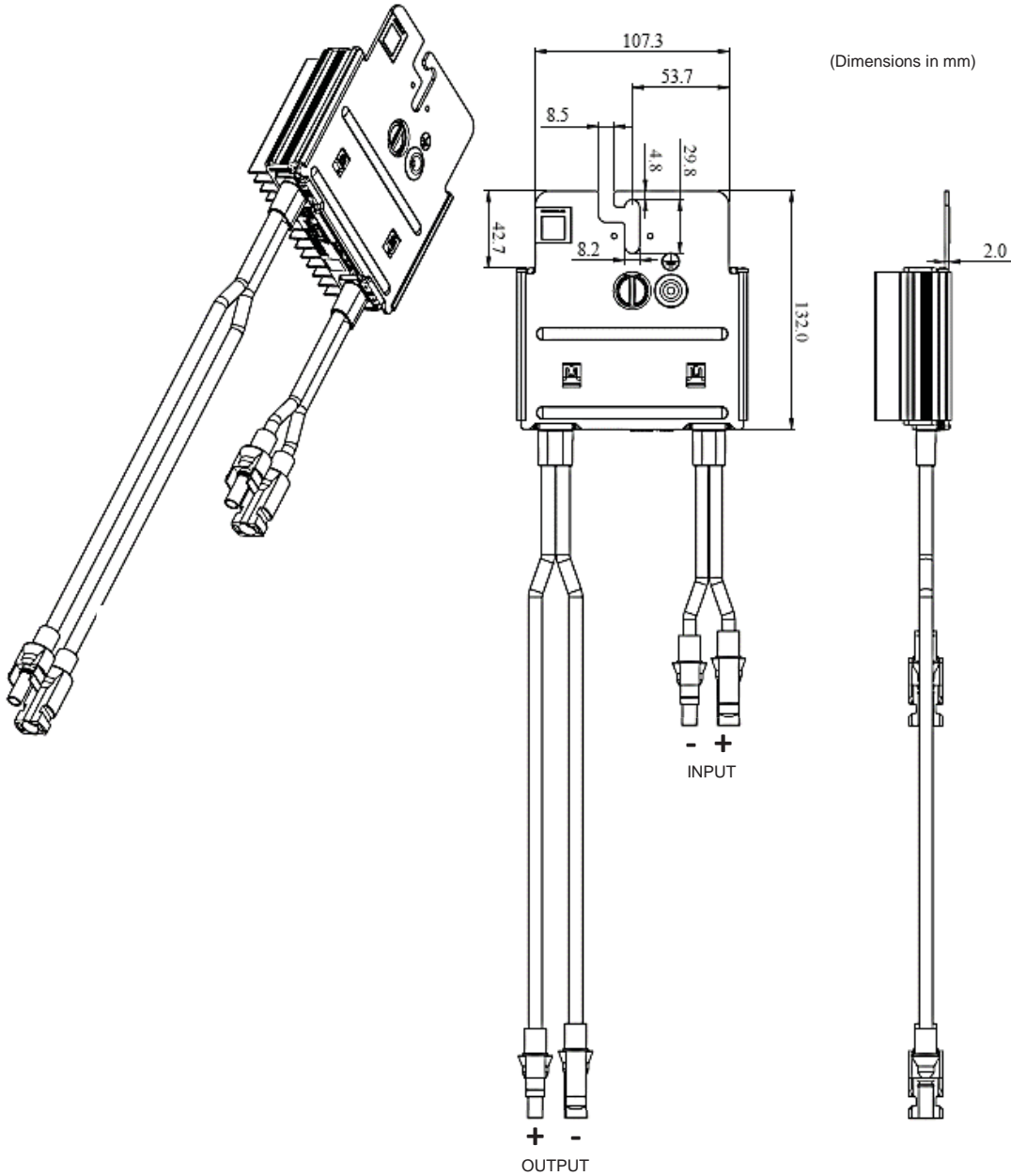
	P600	P700	
INPUT			
Rated Input DC Power ⁽¹⁾	600	700	W
Absolute Maximum Input Voltage (Voc)	96	125	Vdc
MPPT Operating Range	12.5 - 80	12.5 – 105	Vdc
Maximum Short Circuit Current (Isc) of connected PV Module	10		A
Maximum DC Input Current	12.5		A
Maximum Efficiency	99.5		%
Weighted Efficiency	98.7		%
Overtoltage Category	II		
OUTPUT DURING OPERATION (POWER OPTIMIZER CONNECTED TO OPERATING INVERTER)			
Maximum Output Current	15		A
Maximum Output Voltage	85		Vdc
OUTPUT DURING STANDBY (POWER OPTIMIZER DISCONNECTED FROM INVERTER OR INVERTER OFF)			
Safety Output Voltage per Power Optimizer	1		Vdc
STANDARD COMPLIANCE			
EMC	FCC Part15 Class B, IEC61000-6-2, IEC61000-6-3		
Safety	IEC62109-1 (class II safety), UL1741		
Material	UL-94 (5-VA), UV Resistant		
RoHS	Yes		
INSTALLATION SPECIFICATIONS			
Maximum Allowed System Voltage	1000		Vdc
Compatible SolarEdge Inverters	Three phase		
Dimensions (WxLxH)	141 x 212 x 43 / 5.55 x 8.34 x 1.69	141 x 212 x 48 / 5.55 x 8.34 x 1.89	mm / in
Weight (including cables)	930 / 2.05		g / lb
Input Connector	MC4 compatible		
Output Wire Type / Connector	Double Insulated; Amphenol H4		
Output Wire Length	1.8 / 5.9	2.1 / 6.9	m / ft
Operating Temperature Range ⁽²⁾	-40 - +85 / -40 - +185		°C / °F
Protection Rating	IP68 / NEMA6P		
Relative Humidity	0 - 100		%

⁽¹⁾ Rated STC power of the module. Module of up to +5% power tolerances allowed

⁽²⁾ For ambient temperature above +158°F/+70°C power de-rating is applied. Refer to Power Optimizers Temperature De-Rating Application Note for more details.

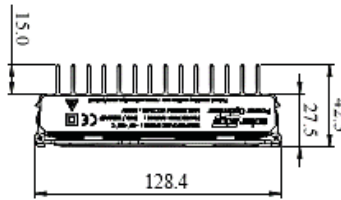
PV SYSTEM DESIGN USING SOLAREEDGE INVERTER		THREE PHASE 208V	THREE PHASE 480V	
Compatible power optimizers		P600 and P700*	P600 and P700	
Minimum String Length	Power Optimizers	8	13	
	PV Modules	16	26	
Maximum String Length	Power Optimizers	30	30	
	PV Modules	60	60	
Maximum Power per String		6000	12750	W
Parallel Strings of Different Lengths or Orientations		Yes		

*P700 design with three phase 208V inverters is limited. Use the SolarEdge Site Designer for verification.

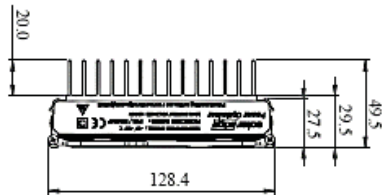


(Dimensions in mm)

P600



P700



MAN-01-00174-1.0