

# Series 100 UL Corrugated Block

## Required Tools:

Hammer or Stud Finder  
 Drill with 1/8 inch Pilot Drill Bit  
 Roof Sealant  
 Torque Driver with Bit Adapter  
 1/2 inch Socket Wrench

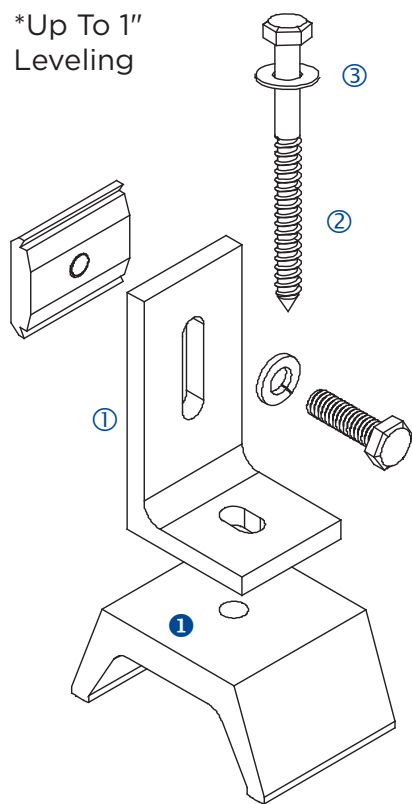
## Materials included in Series 100 Straddle Block:

- ① (1) SnapNrack Corrugated Straddle Block

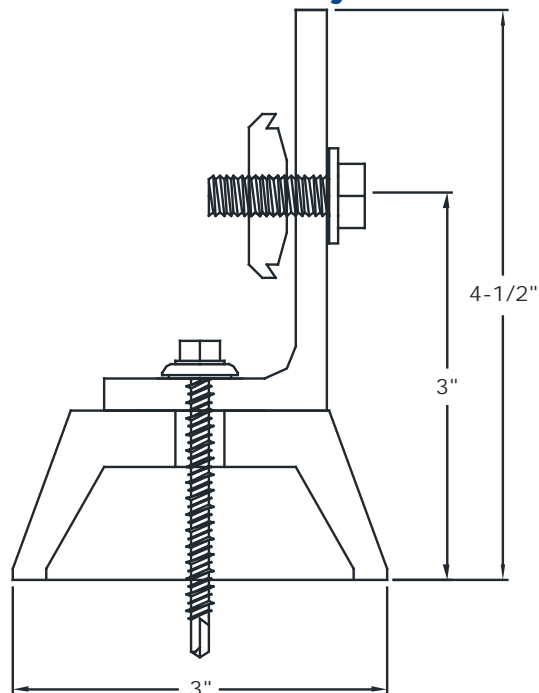
## Other Materials Required:

- ① (1) SnapNrack L-Foot Assembly
- ② (1) 5/16in Lag Screw
- ③ (1) 5/16in Washer

\*Up To 1"  
Leveling

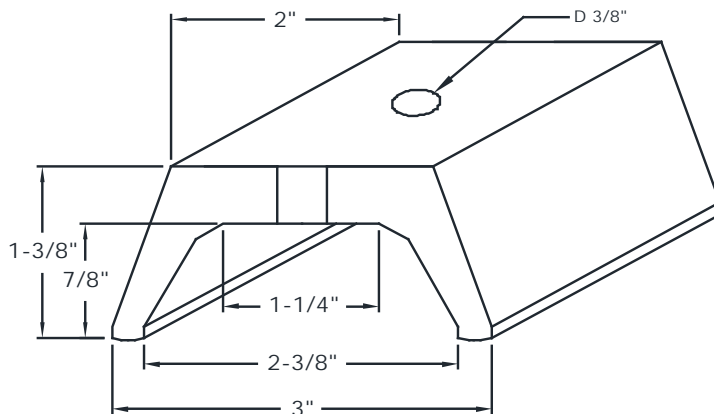


## Dimensioned Assembly



Tek Screw For Steel Roofing Members,  
Lag Screw For Wooden Rafters

## Dimensioned Corrugated Block



## Technical Corrugated Block Data:

Material	6000 Series Heat Treated Aluminum
Color	Mill Finish
Weight	0.3 LBS
Design Uplift Load	200 LBS Uplift
Design Ultimate Load	1000 LBS Uplift

Only use  
Mill Finish L-foot  
with  
Split lock washer

### 1) Locate the rafter



### 2) Drill the pilot hole



### 3) Apply roofing sealant



### 4) Attach corrugated block with L-Foot



### 5) Tighten hardware



## Series 100 UL Corrugated Block

### Step-by-Step Instructions

- 1) Locate the rafter underneath the decking of the roof by locating the screws. The rafter lies directly underneath the screws.
- 2) Drill a pilot hole through the roofing material into the rafter to ensure that the lag bolt will be located into a solid portion of the rafter. If the rafter is not found then seal the pilot hole immediately with roofing sealant.
- 3) Apply roofing sealant if needed directly onto the pilot hole and lag to ensure a water tight seal.
- 4) Attach the Corrugated Block with L-foot using a 5/16" lag bolt\*(TYP) or appropriate lag with a minimum embedment of 2 1/2" lag shank into the rafter. Tighten lag bolt to seat.
- 5) Tighten L-foot assembly silver hardware to 10 - 16 ft-lbs and tighten black hardware to 8-10 ft-lbs.

**\*Attach the metal roof base to rafter with 5/16" x X X/X" SS lag bolt MIN 2-1/2" thread penetration into wood rafter. After the pilot hole for lag bolt has been drilled into the rafter, seal w/ Chemlink M1 (OR EQUIV.) (Locally Sourced; Lag Bolt & Sealant Not Included)**

### Notes

- SnapNrack engineered systems should only be used with SnapNrack components and hardware. Any alternate application may void the warranty and structural calculations could become invalid.

### Warning

- If a pilot hole is drilled and a rafter is not found, immediately seal pilot hole with roofing sealant to avoid water damage.
- Do not over tighten hardware.
- Always wear fall protection and safety gear.

### Design Tools

- SnapNrack has a suite of design tools to help configure your PV installation to be an accurate and fast install. Please visit us at: [www.SnapNrack.com](http://www.SnapNrack.com)