



**samlex**power®

**DC-AC Power  
Inverter**  
Pure Sine Wave

PST-600-12  
PST-600-24  
PST-1000-12  
PST-1000-24

Owner's  
Manual

Please read this  
manual BEFORE  
installing your  
inverter

# OWNER'S MANUAL | Index

<b>SECTION 1</b>	Safety Instructions .....	3
<b>SECTION 2</b>	General Information .....	6
<b>SECTION 3</b>	Limiting Electromagnetic Interference (EMI) .....	13
<b>SECTION 4</b>	Powering Direct / Embedded Switch Mode Power Supplies (SMPS) .....	14
<b>SECTION 5</b>	Principle of Operation .....	16
<b>SECTION 6</b>	Layout.....	17
<b>SECTION 7</b>	General Information on Batteries for Powering Inverters .....	18
<b>SECTION 8</b>	Installation .....	29
<b>SECTION 9</b>	Operation .....	40
<b>SECTION 10</b>	Protections .....	41
<b>SECTION 11</b>	Troubleshooting Guide .....	45
<b>SECTION 12</b>	Specifications .....	47
<b>SECTION 13</b>	Warranty .....	51

# SECTION 1 | Safety Instructions

## 1.1 IMPORTANT SAFETY INSTRUCTIONS AND SYMBOLS

SAVE THESE INSTRUCTIONS. This manual contains important instructions for models PST-600-12 / PST-1000-12 and PST-600-24 / PST-1000-24 that shall be followed during installation, operation and maintenance.

The following safety symbols will be used in this manual to highlight safety and information:



**WARNING!**

Indicates possibility of physical harm to the user in case of non-compliance.



**CAUTION!**

Indicates possibility of damage to the equipment in case of non-compliance.



**INFO**

Indicates useful supplemental information.

Please read these instructions before installing or operating the unit to prevent personal injury or damage to the unit.

## 1.2 SAFETY INSTRUCTIONS - GENERAL

### Installation and wiring compliance

- Installation and wiring must comply with the Local and National Electrical Codes and must be done by a certified electrician.

### Preventing electrical shock

- Always connect the grounding connection on the unit to the appropriate grounding system.
- Disassembly / repair should be carried out by qualified personnel only.
- Disconnect all AC and DC side connections before working on any circuits associated with the unit. Turning the ON/OFF switch on the unit to OFF position may not entirely remove dangerous voltages.
- Be careful when touching bare terminals of capacitors. Capacitors may retain high lethal voltages even after the power has been removed. Discharge the capacitors before working on the circuits.

## **SECTION 1 | Safety Instructions**

### **Installation environment**

- The inverter should be installed indoor only in a well ventilated, cool, dry environment.
- Do not expose to moisture, rain, snow or liquids of any type.
- To reduce the risk of overheating and fire, do not obstruct the suction and discharge openings of the cooling fan.
- To ensure proper ventilation, do not install in a low clearance compartment.

### **Preventing fire and explosion hazards**

- Working with the unit may produce arcs or sparks. Thus, the unit should not be used in areas where there are flammable materials or gases requiring ignition protected equipment. These areas may include spaces containing gasoline-powered machinery, fuel tanks, and battery compartments.

### **Precautions when working with batteries**

- Batteries contain very corrosive diluted Sulphuric Acid as electrolyte. Precautions should be taken to prevent contact with skin, eyes or clothing.
- Batteries generate Hydrogen and Oxygen during charging resulting in evolution of explosive gas mixture. Care should be taken to ventilate the battery area and follow the battery manufacturer's recommendations.
- Never smoke or allow a spark or flame near the batteries.
- Use caution to reduce the risk of dropping a metal tool on the battery. It could spark or short circuit the battery or other electrical parts and could cause an explosion.
- Remove metal items like rings, bracelets and watches when working with batteries. The batteries can produce a short circuit current high enough to weld a ring or the like to metal and, thus, cause a severe burn.
- If you need to remove a battery, always remove the ground terminal from the battery first. Make sure that all the accessories are off so that you do not cause a spark.

## **1.3 SAFETY INSTRUCTIONS - INVERTER RELATED**

### **Preventing Paralleling of the AC Output**

The AC output of the unit should never be connected directly to an Electrical Breaker Panel / Load Centre which is also fed from the utility power / generator. Such a direct connection may result in parallel operation of the different power sources and AC power from the utility / generator will be fed back into the unit which will instantly damage the output section of the unit and may also pose a fire and safety hazard. If an Electrical Breaker Panel / Load Center is fed from this unit and this panel is also required to be fed from additional alternate AC sources, the AC power from all the AC sources (like the utility / generator / this inverter) should first be fed to an Automatic / Manual Selector Switch and the output of the Selector Switch should be connected to the Electrical Breaker Panel / Load Center. Samlex America, Inc. Automatic Transfer Switch Model No. STS-30 is recommended for this application.

## SECTION 1 | Safety Instructions



### CAUTION!

To prevent possibility of paralleling and severe damage to the unit, never use a simple jumper cable with a male plug on both ends to connect the AC output of the unit to a handy wall receptacle in the home / RV.

### Preventing DC Input Over Voltage

It is to be ensured that the DC input voltage of this unit does not exceed 16.5 VDC for PST-600-12 / PST-1000-12 or 33.0 VDC for PST-600-24 / PST-1000-24 to prevent permanent damage to the unit. Please observe the following precautions:

- Ensure that the maximum charging voltage of the external battery charger / alternator / solar charge controller does not exceed 16.5 VDC for PST-600-12 / PST-1000-12 or 33.0 VDC for PST-600-24 / PST-1000-24
- Do not use unregulated solar panels to charge the battery connected to this unit. Under cold ambient temperatures, the output of the solar panel may reach > 22 VDC for 12V Battery System and > 44 VDC for the 24V Battery system. Always use a charge controller between the solar panel and the battery.
- Do not connect this unit to a battery system with a voltage higher than the rated battery input voltage of the unit (e.g. do not connect PST-600-12 / PST-1000-12 to 24V or 48V battery system or PST-600-24 / PST-1000-24 to the 48V Battery System)

### Preventing Reverse Polarity on the Input Side

When making battery connections on the input side, make sure that the polarity of battery connections is correct (Connect the Positive of the battery to the Positive terminal of the unit and the Negative of the battery to the Negative terminal of the unit). If the input is connected in reverse polarity, the external DC fuse and the DC fuses inside the inverter will blow and may also cause permanent damage to the inverter.



### CAUTION!

Damage caused by reverse polarity is not covered by warranty.

### Use of External Fuse in DC Input Circuit

Use Class-T or equivalent fuse of appropriate capacity within 7" of the battery Positive terminal. This fuse is required to protect DC input cable run from damage due to short circuit along the length of the cable. Please read instructions under Section 8.4.5 - Installation.

### Hard Wiring of AC Output to AC Panelboards in RVs / Motor Homes / Trailers / Campers



### WARNING!

#### RISK OF ELECTRIC SHOCK

When this unit is installed in RV / Motor Homes / Trailers / Campers and hard-wiring connection is used to feed the AC output of the inverter to the AC Distribution Panelboard / Load Center in the vehicle, it is to be ensured that Ground Fault Circuit Interrupter(s) [GFCI] are installed in the vehicle wiring system to protect branch circuits.

## SECTION 1 | Safety Instructions

The following GFCIs have been tested to operate satisfactorily and are acceptable. Other types may fail to operate properly when connected to this inverter:

Manufacturer of GFCI	Manufacturer's Model No.	Description
Pass & Seymour	2095 Series	NEMA5-20 Duplex, 20A
Leviton	N7899 Series	NEMA5-20 Duplex, 20A
Zhejiang Trimone	TGM20 Series	NEMA5-20 Duplex, 20A

## SECTION 2 | General Information

### 2.1. DEFINITIONS

The following definitions are used in this manual for explaining various electrical concepts, specifications and operations:

**Peak Value:** It is the maximum value of electrical parameter like voltage / current.

**RMS (Root Mean Square) Value:** It is a statistical average value of a quantity that varies in value with respect to time. For example, a pure sine wave that alternates between peak values of Positive 169.68V and Negative 169.68V has an RMS value of 120 VAC. Also, for a pure sine wave, the RMS value = Peak value  $\div$  1.414.

**Voltage (V), Volts:** It is denoted by "V" and the unit is "Volts". It is the electrical force that drives electrical current (I) when connected to a load. It can be DC (Direct Current – flow in one direction only) or AC (Alternating Current – direction of flow changes periodically). The AC value shown in the specifications is the RMS (Root Mean Square) value.

**Current (I), Amps, A:** It is denoted by "I" and the unit is Amperes – shown as "A". It is the flow of electrons through a conductor when a voltage (V) is applied across it.

**Frequency (F), Hz:** It is a measure of the number of occurrences of a repeating event per unit time. For example, cycles per second (or Hertz) in a sinusoidal voltage.

**Efficiency, ( $\eta$ ):** This is the ratio of Power Output  $\div$  Power Input.

**Phase Angle, ( $\phi$ ):** It is denoted by " $\phi$ " and specifies the angle in degrees by which the current vector leads or lags the voltage vector in a sinusoidal voltage. In a purely inductive load, the current vector lags the voltage vector by Phase Angle ( $\phi$ ) = 90°. In a purely capacitive load, the current vector leads the voltage vector by Phase Angle, ( $\phi$ ) = 90°. In a purely resistive load, the current vector is in phase with the voltage vector and hence, the Phase Angle, ( $\phi$ ) = 0°. In a load consisting of a combination of resistances, inductances and capacitances, the Phase Angle ( $\phi$ ) of the net current vector will be  $> 0^\circ < 90^\circ$  and may lag or lead the voltage vector.

## SECTION 2 | General Information

**Resistance (R), Ohm,  $\Omega$ :** It is the property of a conductor that opposes the flow of current when a voltage is applied across it. In a resistance, the current is in phase with the voltage. It is denoted by "R" and its unit is "Ohm" - also denoted as " $\Omega$ ".

**Inductive Reactance ( $X_L$ ), Capacitive Reactance ( $X_C$ ) and Reactance (X):** Reactance is the opposition of a circuit element to a change of electric current or voltage due to that element's inductance or capacitance. Inductive Reactance ( $X_L$ ) is the property of a coil of wire in resisting any change of electric current through the coil. It is proportional to frequency and inductance and causes the current vector to lag the voltage vector by Phase Angle ( $\phi$ ) =  $90^\circ$ . Capacitive reactance ( $X_C$ ) is the property of capacitive elements to oppose changes in voltage.  $X_C$  is inversely proportional to the frequency and capacitance and causes the current vector to lead the voltage vector by Phase Angle ( $\phi$ ) =  $90^\circ$ . The unit of both  $X_L$  and  $X_C$  is "Ohm" - also denoted as " $\Omega$ ". The effects of inductive reactance  $X_L$  to cause the current to lag the voltage by  $90^\circ$  and that of the capacitive reactance  $X_C$  to cause the current to lead the voltage by  $90^\circ$  are exactly opposite and the net effect is a tendency to cancel each other. Hence, in a circuit containing both inductances and capacitances, the net **Reactance (X)** will be equal to the difference between the values of the inductive and capacitive reactances. The net **Reactance (X)** will be inductive if  $X_L > X_C$  and capacitive if  $X_C > X_L$ .

**Impedance, Z:** It is the vectorial sum of Resistance and Reactance vectors in a circuit.

**Active Power (P), Watts:** It is denoted as "P" and the unit is "Watt". It is the power that is consumed in the resistive elements of the load. A load will require additional Reactive Power for powering the inductive and capacitive elements. The effective power required would be the Apparent Power that is a vectorial sum of the Active and Reactive Powers.

**Reactive Power (Q), VAR:** Is denoted as "Q" and the unit is VAR. Over a cycle, this power is alternatively stored and returned by the inductive and capacitive elements of the load. It is not consumed by the inductive and capacitive elements in the load but a certain value travels from the AC source to these elements in the (+) half cycle of the sinusoidal voltage (Positive value) and the same value is returned back to the AC source in the (-) half cycle of the sinusoidal voltage (Negative value). Hence, when averaged over a span of one cycle, the net value of this power is 0. However, on an instantaneous basis, this power has to be provided by the AC source. *Hence, the inverter, AC wiring and over current protection devices have to be sized based on the combined effect of the Active and Reactive Powers that is called the Apparent Power.*

**Apparent (S) Power, VA:** This power, denoted by "S", is the vectorial sum of the Active Power in Watts and the Reactive Power in "VAR". In magnitude, it is equal to the RMS value of voltage "V" X the RMS value of current "A". The Unit is VA. *Please note that Apparent Power VA is more than the Active Power in Watts. Hence, the inverter, AC wiring and over current protection devices have to be sized based on the Apparent Power.*

## SECTION 2 | General Information

**Maximum Continuous Running AC Power Rating:** This rating may be specified as “Active Power” in Watts (W) or “Apparent Power” in Volt Amps (VA). It is normally specified in “Active Power (P)” in Watts for Resistive type of loads that have Power Factor =1. Reactive types of loads will draw higher value of “Apparent Power” that is the sum of “Active and Reactive Powers”. Thus, AC power source should be sized based on the higher “Apparent Power” Rating in (VA) for all Reactive Types of AC loads. If the AC power source is sized based on the lower “Active Power” Rating in Watts (W), the AC power source may be subjected to overload conditions when powering Reactive Type of loads.

**Surge Power Rating:** During start up, certain loads require considerably higher surge of power for short duration (lasting from tens of millisecs to few seconds) as compared to their Maximum Continuous Running Power Rating. Some examples of such loads are given below:

- **Electric Motors:** At the moment when an electric motor is powered ON, the rotor is stationary (equivalent to being “Locked”), there is no “Back EMF” and the windings draw a very heavy surge of starting current (Amperes) called “Locked Rotor Amperes” (LRA) due to low DC resistance of the windings. For example, in motor driven loads like Air-conditioning and Refrigeration Compressors and in Well Pumps (using Pressure Tank), the Starting Surge Current / LRA may be as high as 10 times its rated Full Load Amps (FLA) / Maximum Continuous Running Power Rating. The value and duration of the Starting Surge Current / LRA of the motor depends upon the winding design of the motor and the inertia / resistance to movement of mechanical load being driven by the motor. As the motor speed rises to its rated RPM, “Back EMF” proportional to the RPM is generated in the windings and the current draw reduces proportionately till it draws the running FLA / Maximum Continuous Running Power Rating at the rated RPM.
- **Transformers (e.g. Isolation Transformers, Step-up / Step-down Transformers, Power Transformer in Microwave Oven etc.):** At the moment when AC power is supplied to a transformer, the transformer draws very heavy surge of “Magnetization Inrush Current” for a few millisecs that can reach up to 10 times the Maximum Continuous Rating of the Transformer.
- **Devices like Infrared Quartz Halogen Heaters (also used in Laser Printers) / Quartz Halogen Lights / Incandescent Light Bulbs using Tungsten heating elements:** Tungsten has a very high Positive Temperature Coefficient of Resistance i.e. it has lower resistance when cold and higher resistance when hot. As Tungsten heating element will be cold at the time of powering ON, its resistance will be low and hence, the device will draw very heavy surge of current with consequent very heavy surge of power with a value of up to 8 times the Maximum Continuous Running AC Power.
- **AC to DC Switched Mode Power Supplies (SMPS):** This type of power supply is used as stand-alone power supply or as front end in all electronic devices powered from Utility / Grid e.g. in audio/video/ computing devices and battery chargers (Please see Section 4 for more details on SMPS). When this power supply is switched ON, its internal input side capacitors start charging resulting in very high surge of Inrush Current for a few millisecs (Please see Fig 4.1). This surge of inrush current / power may reach up to 15 times the Continuous Maximum Running Power Rating. The surge of inrush current / power will, however, be limited by the Surge Power Rating of the AC source.



## SECTION 2 | General Information

**Power Factor, (PF):** It is denoted by “PF” and is equal to the ratio of the Active Power (P) in Watts to the Apparent Power (S) in VA. The maximum value is 1 for resistive types of loads where the Active Power (P) in Watts = the Apparent Power (S) in VA. It is 0 for purely inductive or purely capacitive loads. Practically, the loads will be a combination of resistive, inductive and capacitive elements and hence, its value will be  $> 0 < 1$ . Normally it ranges from 0.5 to 0.8 e.g. (i) AC motors (0.4 to 0.8), (ii) Transformers (0.8) (iii) AC to DC Switch Mode Power Supplies (0.5 to 0.6) etc.

**Load:** Electrical appliance or device to which an electrical voltage is fed.

**Linear Load:** A load that draws sinusoidal current when a sinusoidal voltage is fed to it. Examples are, incandescent lamp, heater, electric motor, etc.

**Non-Linear Load:** A load that does not draw a sinusoidal current when a sinusoidal voltage is fed to it. For example, non-power factor corrected Switched Mode Power Supplies (SMPS) used in computers, audio video equipment, battery chargers, etc.

**Resistive Load:** A device or appliance that consists of pure resistance (like filament lamps, cook tops, toaster, coffee maker etc.) and draws only Active Power (Watts) from the inverter. The inverter can be sized based on the Active Power rating (Watts) of resistive type of loads without creating overload (except for resistive type of loads with Tungsten based heating element like in Incandescent Light Bulbs, Quartz Halogen Lights and Quartz Halogen Infrared Heaters. These require higher starting surge power due to lower resistance value when the heating element is cold).

**Reactive Load:** A device or appliance that consists of a combination of resistive, inductive and capacitive elements (like motor driven tools, refrigeration compressors, microwaves, computers, audio/ video etc.). The Power Factor of this type of load is  $< 1$  e.g. AC motors (PF=0.4 to 0.8), Transformers (PF=0.8), AC to DC Switch Mode Power Supplies (PF=0.5 to 0.6) etc. These devices require Apparent Power (VA) from the AC power source. The Apparent Power is a vectorial sum of Active Power (Watts) and Reactive Power (VAR). *The AC power source has to be sized based on the higher Apparent Power (VA) and also based on the Starting Surge Power.*

## SECTION 2 | General Information

### 2.2 OUTPUT VOLTAGE WAVEFORMS

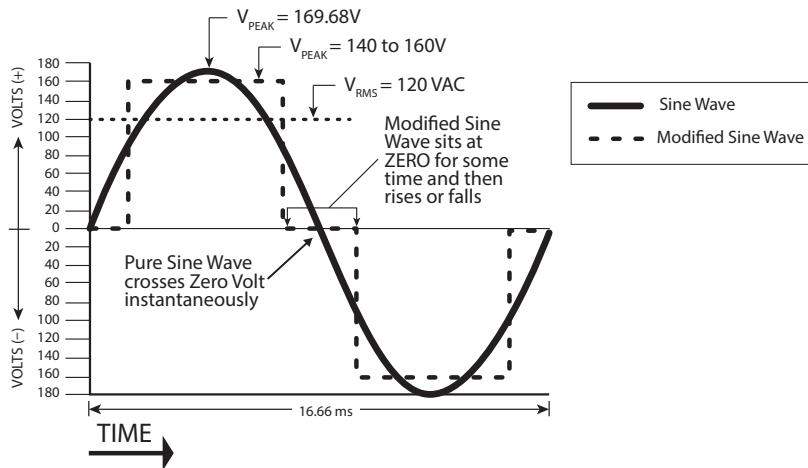


Fig. 2.1: Pure and Modified Sine Waveforms for 120 VAC, 60 Hz

The output waveform of the Samlex PST series inverters is a Pure Sine Wave like the waveform of Utility / Grid Power. Please see Sine Wave represented in the Fig. 2.1 that also shows Modified Sine Waveform for comparison.

In a Sine Wave, the voltage rises and falls smoothly with a smoothly changing phase angle and also changes its polarity instantly when it crosses 0 Volts. In a Modified Sine Wave, the voltage rises and falls abruptly, the phase angle also changes abruptly and it sits at zero V for some time before changing its polarity. Thus, any device that uses a control circuitry that senses the phase (for voltage / speed control) or instantaneous zero voltage crossing (for timing control) will not work properly from a voltage that has a Modified Sine Waveform.

Also, as the Modified Sine Wave is a form of Square Wave, it is comprised of multiple Sine Waves of odd harmonics (multiples) of the fundamental frequency of the Modified Sine Wave. For example, a 60 Hz Modified Sine Wave will consist of Sine Waves with odd harmonic frequencies of 3rd (180 Hz), 5th (300 Hz), 7th (420 Hz) and so on. The high frequency harmonic content in a Modified Sine Wave produces enhanced radio interference, higher heating effect in inductive loads like microwaves and motor driven devices like hand tools, refrigeration / air-conditioning compressors, pumps etc. The higher frequency harmonics also produce overloading effect in low frequency capacitors due to lowering of their capacitive reactance by the higher harmonic frequencies. These capacitors are used in ballasts for fluorescent lighting for Power Factor improvement and in single-phase induction motors as Start and Run Capacitors. Thus, Modified and Square Wave inverters may shut down due to overload when powering these devices.

## SECTION 2 | General Information

### 2.3 ADVANTAGES OF PURE SINE WAVE INVERTERS

- The output waveform is a Sine Wave with very low harmonic distortion and cleaner power like Utility / Grid supplied electricity.
- Inductive loads like microwaves, motors, transformers etc. run faster, quieter and cooler.
- More suitable for powering fluorescent lighting fixtures containing Power Factor Improvement Capacitors and single phase motors containing Start and Run Capacitors
- Reduces audible and electrical noise in fans, fluorescent lights, audio amplifiers, TV, fax and answering machines, etc.
- Does not contribute to the possibility of crashes in computers, weird print outs and glitches in monitors.

### 2.4 SOME EXAMPLES OF DEVICES THAT MAY NOT WORK PROPERLY WITH MODIFIED SINE WAVE AND MAY ALSO GET DAMAGED ARE GIVEN BELOW:

- Laser printers, photocopiers, and magneto-optical hard drives.
- Built-in clocks in devices such as clock radios, alarm clocks, coffee makers, bread-makers, VCR, microwave ovens etc. may not keep time correctly.
- Output voltage control devices like dimmers, ceiling fan / motor speed control may not work properly (dimming / speed control may not function).
- Sewing machines with speed / microprocessor control.
- Transformer-less capacitive input powered devices like (i) Razors, flashlights, night-lights, smoke detectors etc. (ii) Some re-chargers for battery packs used in hand power tools. *These may get damaged. Please check with the manufacturer of these types of devices for suitability.*
- Devices that use radio frequency signals carried by the AC distribution wiring.
- Some new furnaces with microprocessor control / Oil burner primary controls.
- High intensity discharge (HID) lamps like Metal Halide Lamps. *These may get damaged. Please check with the manufacturer of these types of devices for suitability.*
- Some fluorescent lamps / light fixtures that have Power Factor Correction Capacitors. *The inverter may shut down indicating overload.*
- Induction Cooktops

### 2.5 POWER RATING OF INVERTERS



#### INFO

For proper understanding of explanations given below, please refer to definitions of Active / Reactive / Apparent / Continuous / Surge Powers, Power Factor, and Resistive / Reactive Loads at Section 2.1 under "DEFINITIONS".

## SECTION 2 | General Information

The power rating of inverters is specified as follows:

- Maximum Continuous Running Power Rating
- Surge Power Rating to accommodate high, short duration surge of power required during start up of certain AC appliances and devices.

Please read details of the above two types of power ratings in Section 2.1 under “DEFINITIONS”



### INFO

The manufacturers’ specification for power rating of AC appliances and devices indicates only the Maximum Continuous Running Power Rating. The high, short duration surge of power required during start up of some specific types of devices has to be determined by actual testing or by checking with the manufacturer. This may not be possible in all cases and hence, can be guessed at best, based on some general Rules of Thumb.

Table 2.1 provides a list of some common AC appliances / devices that require high, short duration surge of power during start up. An “Inverter Sizing Factor” has been recommended against each which is a Multiplication Factor to be applied to the Maximum Continuous Running Power Rating (Active Power Rating in Watts) of the AC appliance / device to arrive at the Maximum Continuous Running Power Rating of the inverter (Multiply the Maximum Continuous Running Power Rating (Active Power Rating in Watts) of the appliance / device by recommended Sizing Factor to arrive at the Maximum Continuous Running Power Rating of the inverter.

<b>TABLE 2.1: INVERTER SIZING FACTOR</b> <b>Type of Device or Appliance</b>	<b>Inverter Sizing Factor (See note 1)</b>
Air Conditioner / Refrigerator / Freezer (Compressor based)	5
Air Compressor	4
Sump Pump / Well Pump / Submersible Pump	3
Dishwasher / Clothes Washer	3
Microwave (where rated output power is the cooking power)	2
Furnace Fan	3
Industrial Motor	3
Portable Kerosene / Diesel Fuel Heater	3
Circular Saw / Bench Grinder	3
Incandescent / Halogen / Quartz Lamps	3
Laser Printer / Other Devices using Infrared Quartz Halogen Heaters	4
Switch Mode Power Supplies (SMPS): no Power Factor correction	2
Photographic Strobe / Flash Lights	4 (See Note 2)

## SECTION 2 | General Information

### NOTES FOR TABLE 2.1

1. Multiply the Maximum Continuous Running Power Rating (Active Power Rating in Watts) of the appliance / device by the recommended Sizing Factor to arrive at the Maximum Continuous Running Power Rating of the inverter.
2. For photographic strobe / flash unit, the Surge Power Rating of the inverter should be > 4 times the Watt Sec rating of photographic strobe / flash unit.

## SECTION 3 | Limiting Electro-Magnetic Interference (EMI)

### 3.1 EMI AND FCC COMPLIANCE

These inverters contain internal switching devices that generate conducted and radiated electromagnetic interference (EMI). The EMI is unintentional and cannot be entirely eliminated. The magnitude of EMI is, however, limited by circuit design to acceptable levels as per limits laid down in North American FCC Standard FCC Part 15(B), Class A. These limits are designed to provide reasonable protection against harmful interference when the equipment is operated *in business / commercial / industrial environments*. These inverters can conduct and radiate radio frequency energy and, if not installed and used in accordance with the instruction manual, may cause harmful interference to radio communications.

### 3.2 REDUCING EMI THROUGH PROPER INSTALLATION

The effects of EMI will also depend upon a number of factors external to the inverter like proximity of the inverter to the EMI receptors, types and quality of connecting wires and cables etc. EMI due to factors external to the inverter may be reduced as follows:

- Ensure that the inverter is firmly grounded to the ground system of the building or the vehicle
- Locate the inverter as far away from the EMI receptors like radio, audio and video devices as possible
- Keep the DC side wires between the battery and the inverter as short as possible.
- Do NOT keep the battery wires far apart. Keep them taped together to reduce their inductance and induced voltages. This reduces ripple in the battery wires and improves performance and efficiency.
- Shield the DC side wires with metal sheathing / copper foil / braiding:
  - Use coaxial shielded cable for all antenna inputs (instead of 300 ohm twin leads)
  - Use high quality shielded cables to attach audio and video devices to one another
- Limit operation of other high power loads when operating audio / video equipment

## SECTION 4 | Powering Direct / Embedded Switch Mode Power Supplies (SMPS)

### 4.1 CHARACTERISTICS OF SWITCHED MODE POWER SUPPLIES (SMPS)

Switch Mode Power Supplies (SMPS) are extensively used to convert the incoming AC power into various voltages like 3.3V, 5V, 12V, 24V etc. that are used to power various devices and circuits used in electronic equipment like battery chargers, computers, audio and video devices, radios etc. SMPS use large capacitors in their input section for filtration. When the power supply is first turned on, there is a very large inrush current drawn by the power supply as the input capacitors are charged (The capacitors act almost like a short circuit at the instant the power is turned on). The inrush current at turn-on is several to tens of times larger than the rated RMS input current and lasts for a few milliseconds. An example of the input voltage versus input current waveforms is given in Fig. 4.1. It will be seen that the initial input current pulse just after turn-on is > 15 times larger than the steady state RMS current. The inrush dissipates in around 2 or 3 cycles i.e. in around 33 to 50 milliseconds for 60 Hz sine wave.

Further, due to the presence of high value of input filter capacitors, the current drawn by an SMPS (With no Power Factor correction) is not sinusoidal but non-linear as shown in Fig 4.2. The steady state input current of SMPS is a train of non-linear pulses instead of a sinusoidal wave. These pulses are two to four milliseconds duration each with a very high Crest Factor of around 3 (Crest Factor = Peak value ÷ RMS value).

Many SMPS units incorporate "Inrush Current Limiting". The most common method is the NTC (Negative Temperature Coefficient) resistor. The NTC resistor has a high resistance when cold and a low resistance when hot. The NTC resistor is placed in series with the input to the power supply. The cold resistance limits the input current as the input capacitors charge up. The input current heats up the NTC and the resistance drops during normal operation. However, if the power supply is quickly turned off and back on, the NTC resistor will be hot so its low resistance state will not prevent an inrush current event.

The inverter should, therefore, be sized adequately to withstand the high inrush current and the high Crest Factor of the current drawn by the SMPS. Normally, inverters have short duration Surge Power Rating of 2 times their Maximum Continuous Power Rating. *Hence, it is recommended that for purposes of sizing the inverter to accommodate Crest Factor of 3, the Maximum Continuous Power Rating of the inverter should be > 2 times the Maximum Continuous Power Rating of the SMPS. For example, an SMPS rated at 100 Watts should be powered from an inverter that has Maximum Continuous Power Rating of > 200 Watts.*

## SECTION 4 | Powering Direct / Embedded Switch Mode Power Supplies (SMPS)

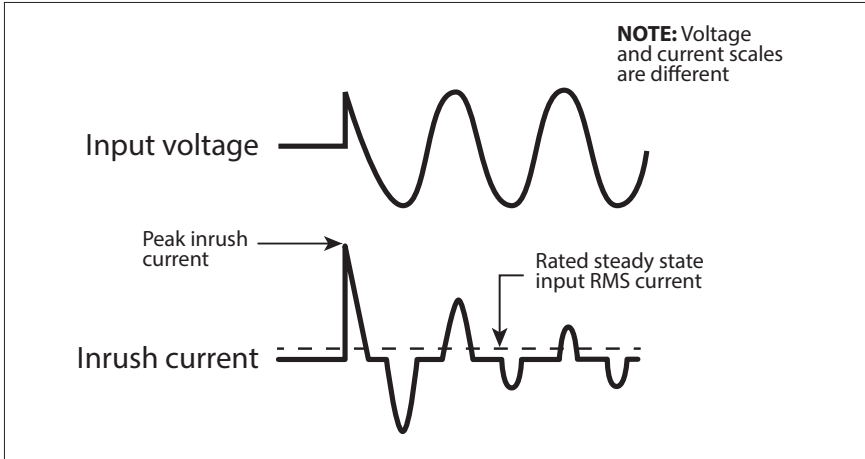


Fig 4.1: Inrush current in an SMPS

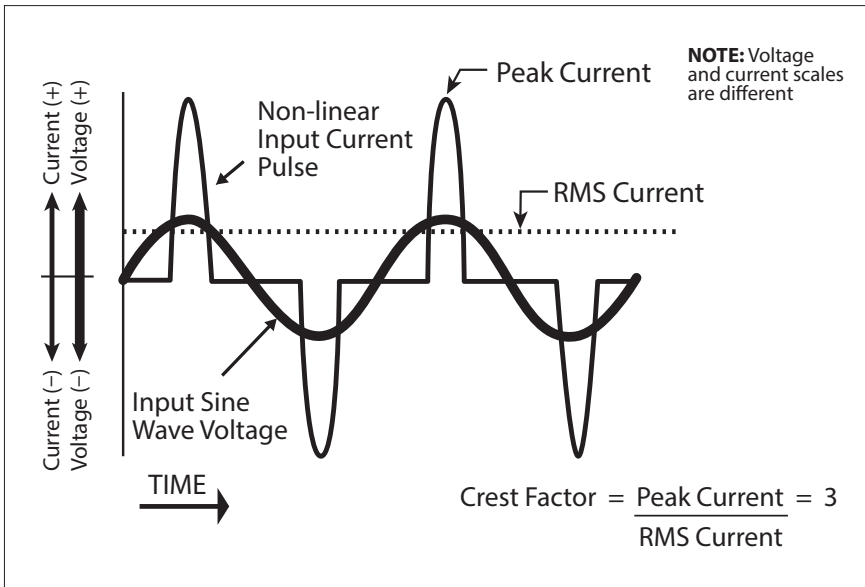


Fig. 4.2: High Crest Factor of current drawn by SMPS

## SECTION 5 | Principle of Operation

### 5.1 GENERAL

These inverters convert DC battery voltage to AC voltage with an RMS (Root Mean Square) value of 120 VAC, 60 Hz RMS.

### 5.2 PURE SINE WAVE OUTPUT WAVEFORM

The waveform of the AC voltage is a pure Sine Waveform that is same as the waveform of Grid / Utility power (*Supplementary information on pure Sine Waveform and its advantages are discussed in Sections 2.2 to 2.4*).

Fig. 5.1 below specifies the characteristics of 120 VAC, 60 Hz pure Sine Waveform. The instantaneous value and polarity of the voltage varies cyclically with respect to time. For example, in one cycle in a 120 VAC, 60 Hz system, it slowly rises in the Positive direction from 0V to a peak Positive value " $V_{\text{peak}}$ " = + 169.68V, slowly drops to 0V, changes the polarity to Negative direction and slowly increases in the Negative direction to a peak Negative value " $V_{\text{peak}}$ " = - 169.68V and then slowly drops back to 0V. There are 60 such cycles in 1 sec. Cycles per second is called the "Frequency" and is also termed "Hertz (Hz)". The Time Period of 1 Cycle is 16.66 ms.

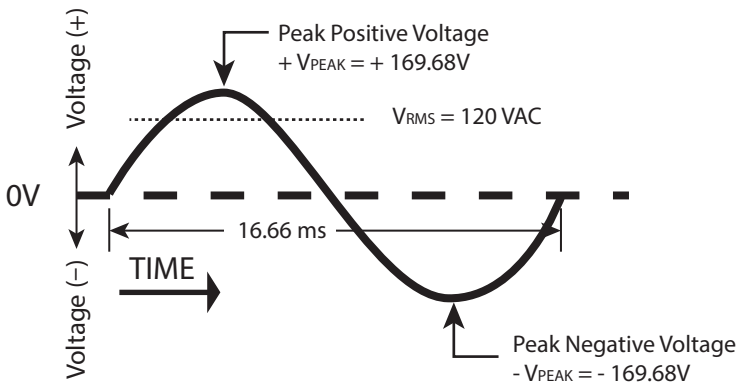


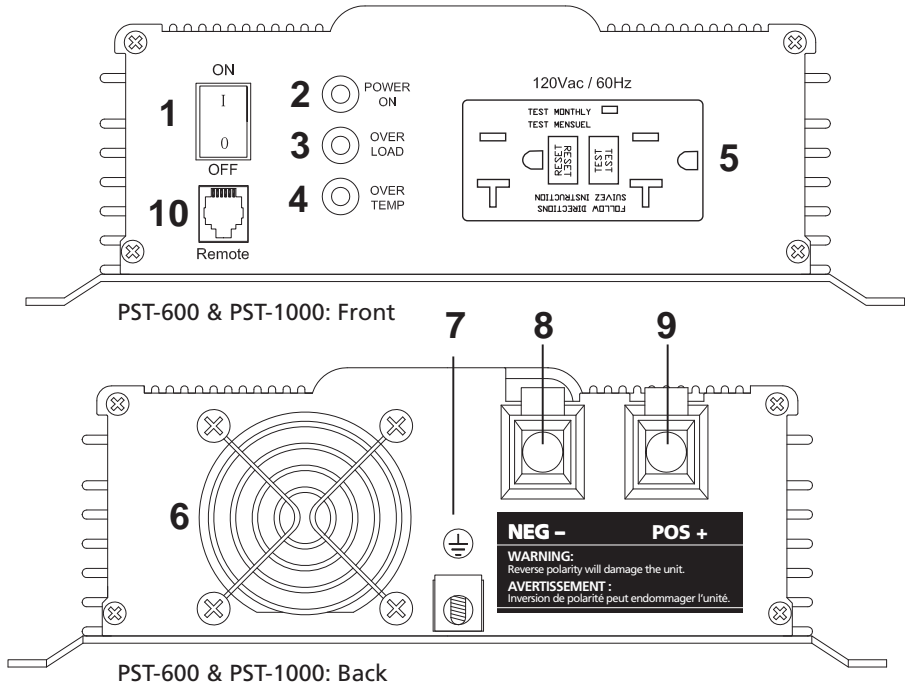
Fig. 5.1: 120 VAC, 60 Hz Pure Sine Waveform

### 5.3 PRINCIPLE OF OPERATION

The voltage conversion takes place in two stages. In the first stage, the DC voltage of the battery is converted to a high voltage DC using high frequency switching and Pulse Width Modulation (PWM) technique. In the second stage, the high voltage DC is converted to 120 VAC, 60 Hz sine wave AC again using PWM technique. This is done by using a special wave shaping technique where the high voltage DC is switched at a high frequency and the pulse width of this switching is modulated with respect to a reference sine wave.



## SECTION 6 | Layout



### LEGEND

1. Power ON/OFF Switch
  2. Green LED - Power ON
  3. Red LED - Overload
  4. Red LED - Over Temperature
  5. NEMA5-20R GFCI Duplex Outlets
  6. Air-exhaust opening for cooling fan (Fan is located behind this opening)
  7. Grounding Lug
  8. Negative (-) DC Input Terminal
  9. Positive (+) DC Input Terminal
  10. Modular Jack for RC-15A Remote Control
  11. Air-suction openings for the fan (At the bottom of the unit – not shown)
- } Hole size: 11 mm / 0.433" with M-8 set screw

Fig. 6.1: Layout of PST-600 and PST-1000

## SECTION 7 | General Information on Lead Acid Batteries

### 7.1 GENERAL



#### INFO

For complete background information on Lead Acid Batteries and charging process, please visit [www.samlexamerica.com](http://www.samlexamerica.com) > support > white papers > White Paper - Batteries, Chargers and Alternators.

Lead-acid batteries can be categorized by the type of application:

1. Automotive service - Starting/Lighting/Ignition (SLI, a.k.a. cranking), and
2. Deep cycle service.

Deep Cycle Lead Acid Batteries of appropriate capacity are recommended for powering of inverters.

### 7.2 DEEP CYCLE LEAD ACID BATTERIES

Deep cycle batteries are designed with thick-plate electrodes to serve as primary power sources, to have a constant discharge rate, to have the capability to be deeply discharged up to 80 % capacity and to repeatedly accept recharging. They are marketed for use in recreation vehicles (RV), boats and electric golf carts – so they may be referred to as RV batteries, marine batteries or golf cart batteries. Use Deep Cycle batteries for powering these inverters.

### 7.3 RATED CAPACITY SPECIFIED IN AMPERE-HOUR (Ah)

Battery capacity "C" is specified in Ampere-hours (Ah). An Ampere is the unit of measurement for electrical current and is defined as a Coulomb of charge passing through an electrical conductor in one second. The Capacity "C" in Ah relates to the ability of the battery to provide a constant specified value of discharge current (also called "C-Rate": See Section 7.6) over a specified time in hours before the battery reaches a specified discharged terminal voltage (Also called "End Point Voltage") at a specified temperature of the electrolyte. As a benchmark, the automotive battery industry rates batteries at a discharge current or C-Rate of C/20 Amperes corresponding to 20 Hour discharge period. The rated capacity "C" in Ah in this case will be the number of Amperes of current the battery can deliver for 20 Hours at 80°F (26.7°C) till the voltage drops to 1.75V / Cell. i.e. 10.5V for 12V battery, 21V for 24V battery and 42V for a 48V battery. For example, a 100 Ah battery will deliver 5A for 20 Hours.

### 7.4 RATED CAPACITY SPECIFIED IN RESERVE CAPACITY (RC)

Battery capacity may also be expressed as Reserve Capacity (RC) in minutes typically for automotive SLI (Starting, Lighting and Ignition) batteries. It is the time in minutes a vehicle can be driven after the charging system fails. This is roughly equivalent to the conditions after the alternator fails while the vehicle is being driven at night with the headlights on. The battery alone must supply current to the headlights and the computer/ignition system. The assumed battery load is a constant discharge current of 25A.

## SECTION 7 | General Information on Lead Acid Batteries

Reserve capacity is the time in minutes for which the battery can deliver 25 Amperes at 80°F (26.7°C) till the voltage drops to 1.75V / Cell i.e. 10.5V for 12V battery, 21V for 24V battery and 42V for 48V battery.

Approximate relationship between the two units is:

$$\text{Capacity "C" in Ah} = \text{Reserve Capacity in RC minutes} \times 0.6$$

### 7.5 TYPICAL BATTERY SIZES

The Table 7.1 below shows details of some popular battery sizes:

BCI* Group	Battery Voltage, V	Battery Capacity, Ah
27 / 31	12	105
4D	12	160
8D	12	225
GC2**	6	220

\* Battery Council International; \*\* Golf Cart

### 7.6 SPECIFYING CHARGING / DISCHARGING CURRENTS: C-RATE

Electrical energy is stored in a cell / battery in the form of DC power. The value of the stored energy is related to the amount of the active materials pasted on the battery plates, the surface area of the plates and the amount of electrolyte covering the plates. As explained above, the amount of stored electrical energy is also called the Capacity of the battery and is designated by the symbol "C".

The time in Hours over which the battery is discharged to the "End Point Voltage" for purposes of specifying Ah capacity depends upon the type of application. Let us denote this discharge time in hours by "T". Let us denote the discharge current of the battery as the "C-Rate". If the battery delivers a very high discharge current, the battery will be discharged to the "End Point Voltage" in a shorter period of time. On the other hand, if the battery delivers a lower discharge current, the battery will be discharged to the "End Point Voltage" after a longer period of time. Mathematically:

$$\text{EQUATION 1: Discharge current "C-Rate"} = \text{Capacity "C" in Ah} \div \text{Discharge Time "T"}$$

Table 7.2 below gives some examples of C-Rate specifications and applications:

Hours of discharge time "T" till the "End Point Voltage"	"C-Rate" Discharge Current in Amps = Capacity "C" in Ah ÷ Discharge Time "T" in Hrs.	Example of C-Rate Discharge Currents for 100 Ah battery
0.5 Hrs.	2C	200A
1 Hrs.	1C	100A
5 Hrs. (Inverter application)	C/5 or 0.2C	20A

Table Continues Next Page ▶

## SECTION 7 | General Information on Lead Acid Batteries

TABLE 7.2: DISCHARGE CURRENT RATES - "C-RATES" (continued from Previous page)		
Hours of discharge time "T" till the "End Point Voltage"	"C-Rate" Discharge Current in Amps = Capacity "C" in Ah ÷ Discharge Time "T" in Hrs.	Example of C-Rate Discharge Currents for 100 Ah battery
8 Hrs. (UPS application)	C/8 or 0.125C	12.5A
10 Hrs. (Telecom application)	C/10 or 0.1C	10A
20 Hrs. (Automotive application)	C/20 or 0.05C	5A
100 Hrs.	C/100 or 0.01C	1A

**NOTE:** When a battery is discharged over a shorter time, its specified "C-Rate" discharge current will be higher. For example, the "C-Rate" discharge current at 5 Hour discharge period i.e. C/5 Amps will be 4 times higher than the "C-Rate" discharge current at 20 Hour discharge period i.e. C/20 Amps.

### 7.7 CHARGING / DISCHARGING CURVES

Fig. 7.1 shows the charging and discharging characteristics of a typical 12V / 24V Lead Acid battery at electrolyte temperature of 80°F / 26.7°C. The curves show the % State of Charge (X-axis) versus terminal voltage (Y-axis) during charging and discharging at different C-Rates. **Please note that X-axis shows % State of Charge. State of Discharge will be = 100% - % State of Charge.** These curves will be referred to in the subsequent explanations.

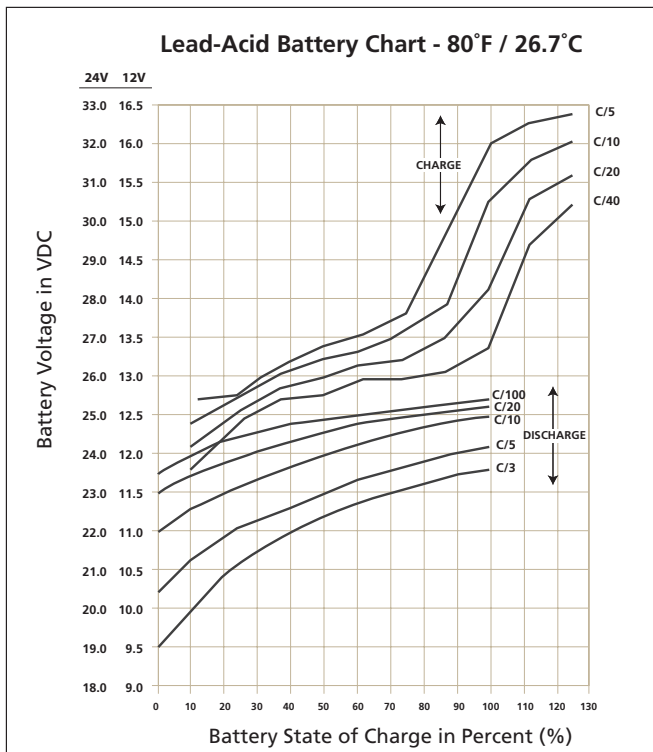


Fig. 7.1: Charging / Discharging Curves for 12V Lead Acid Battery

## SECTION 7 | General Information on Lead Acid Batteries

### 7.8 REDUCTION IN USABLE CAPACITY AT HIGHER DISCHARGE RATES – TYPICAL IN INVERTER APPLICATION

As stated above, the rated capacity of the battery in Ah is normally applicable at a discharge rate of 20 Hours. As the discharge rate is increased as in cases where the inverters are driving higher capacity loads, the usable capacity reduces due to “Peukert Effect”. This relationship is not linear but is more or less according to the Table 7.3.

C-Rate Discharge Current	Usable Capacity (%)
C/20	100%
C/10	87%
C/8	83%
C/6	75%
C/5	70%
C/3	60%
C/2	50%
1C	40%

Table 7.3 shows that a 100 Ah capacity battery will deliver 100% (i.e. full 100 Ah) capacity if it is slowly discharged over 20 Hours at the rate of 5 Amperes (50W output for a 12V inverter and 100W output for a 24V inverter). However, if it is discharged at a rate of 50 Amperes (500W output for a 12V inverter and 1000W output for a 24V inverter) then theoretically, it should provide  $100 \text{ Ah} \div 50 = 2$  Hours. However, Table 7.3 shows that for 2 Hours discharge rate, the capacity is reduced to 50% i.e. 50 Ah. Therefore, at 50 Ampere discharge rate (500W output for a 12V inverter and 1000W output for a 24V inverter) the battery will actually last for  $50 \text{ Ah} \div 50 \text{ Amperes} = 1$  Hour.

### 7.9 STATE OF CHARGE (SOC) OF A BATTERY – BASED ON “STANDING VOLTAGE”

The “Standing Voltage” of a battery under open circuit conditions (no load connected to it) can approximately indicate the State of Charge (SOC) of the battery. The “Standing Voltage” is measured after disconnecting any charging device(s) and the battery load(s) and letting the battery “stand” idle for 3 to 8 hours before the voltage measurement is taken. Table 7.4 shows the State of Charge versus Standing Voltage for a typical 12V/24V battery system at 80°F (26.7°C).

## SECTION 7 | General Information on Lead Acid Batteries

**TABLE 7.4: STATE OF CHARGE VERSUS STANDING VOLTAGE**

Percentage of Full Charge	Standing Voltage of Individual Cells	Standing Voltage of 12V Battery	Standing Voltage of 24V Battery
100%	2.105V	12.63V	25.26V
90%	2.10V	12.6V	25.20V
80%	2.08V	12.5V	25.00V
70%	2.05V	12.3V	24.60V
60%	2.03V	12.2V	24.40V
50%	2.02V	12.1V	24.20V
30%	1.97V	11.8V	23.60V
20%	1.95V	11.7V	23.40V
10%	1.93V	11.6V	23.20V
0%	= / < 1.93V	= / < 11.6V	= / < 23.20V

Check the individual cell voltages / specific gravity. If the inter cell voltage difference is more than a 0.2V, or the specific gravity difference is 0.015 or more, the cells will require equalization. **Please note that only the non-sealed / vented / flooded / wet cell batteries are equalized. Do not equalize sealed / VRLA type of AGM or Gel Cell Batteries.**

### 7.10 STATE OF DISCHARGE OF A LOADED BATTERY – LOW BATTERY / DC INPUT VOLTAGE ALARM AND SHUTDOWN IN INVERTERS

Most inverter hardware estimate the State of Discharge of the loaded battery by measuring the voltage at the inverter’s DC input terminals (considering that the DC input cables are thick enough to allow a negligible voltage drop between the battery and the inverter).

Inverters are provided with a buzzer alarm to warn that the loaded battery has been deeply discharged to around 80% of the rated capacity. **Normally, the buzzer alarm is triggered when the voltage at the DC input terminals of the inverter has dropped to around 10.5V for a 12V battery or 21V for 24V battery at C-Rate discharge current of C/5 Amps and electrolyte temp. of 80°F.** The inverter is shut down if the terminal voltage at C/5 discharge current falls further to 10V for 12V battery (20V for 24V battery).

The State of Discharge of a battery is estimated based on the measured terminal voltage of the battery. The terminal voltage of the battery is dependent upon the following:

- **Temperature of the battery electrolyte:** Temperature of the electrolyte affects the electrochemical reactions inside the battery and produces a Negative Voltage Coefficient – during charging / discharging, the terminal voltage drops with rise in temperature and rises with drop in temperature
- **The amount of discharging current or “C-Rate”:** A battery has non linear internal resistance and hence, as the discharge current increases, the battery terminal voltage decreases non-linearly

## SECTION 7 | General Information on Lead Acid Batteries

The discharge curves in Fig. 7.1 show the % State of Charge versus the terminal voltage of typical battery under different charge /discharge currents, i.e. “C-Rates” and fixed temperature of 80°F. (Please note that the X-Axis of the curves shows the % of State of Charge. The % of State of Discharge will be 100% - % State of Charge).

### 7.11 LOW DC INPUT VOLTAGE ALARM IN INVERTERS

As stated earlier, the buzzer alarm is triggered when the voltage at the DC input terminals of the inverter has dropped to around 10.5V for a 12V battery (21V for 24V battery) at C-Rate discharge current of C/5 Amps. Please note that the terminal voltage relative to a particular of State Discharge decreases with the rise in the value of the discharge current. For example, terminal voltages for a State of Discharge of 80% (State of Charge of 20%) for various discharge currents will be as given at Table 7.5 (Refer to Fig 7.1 for parameters and values shown in Table 7.5):

Discharge Current: C-Rate	Terminal Voltage at 80% State of Discharge (20% SOC)		Terminal Voltage When Completely Discharged (0% SOC)	
	12V	24V	12V	24V
C/3 A	10.45V	20.9V	09.50V	19.0V
C/5 A	10.90V	21.8V	10.30V	20.6V
C/10 A	11.95V	23.9V	11.00V	22.0V
C/20 A	11.85V	23.7V	11.50V	23.0V
C/100 A	12.15V	24.3V	11.75V	23.5V

In the example given above, the 10.5V / 21.0V Low Battery / DC Input Alarm would trigger at around 80% discharged state (20% SOC) when the C-Rate discharge current is C/5 Amps. However, for lower C-Rate discharge current of C/10 Amps and lower, the battery will be almost completely discharged when the alarm is sounded. **Hence, if the C-Rate discharge current is lower than C/5 Amps, the battery may have completely discharged by the time the Low DC Input Alarm is sounded.**

### 7.12 LOW DC INPUT VOLTAGE SHUT-DOWN IN INVERTERS

As explained above, at around 80% State of Discharge of the battery at C-Rate discharge current of around C/5 Amps, the Low DC Input Voltage Alarm is sounded at around 10.5V for a 12V battery (at around 21V for 24V battery) to warn the user to disconnect the battery to prevent further draining of the battery. If the load is not disconnected at this stage, the batteries will be drained further to a lower voltage and to a completely discharged condition that is harmful for the battery and for the inverter.

Inverters are normally provided with a protection to shut down the output of the inverter if the DC voltage at the input terminals of the inverter drops below a threshold of around 10V for a 12V battery (20V for 24V battery). Referring to the Discharge Curves given in Fig 7.1, the State of Discharge for various C-Rate discharge currents for battery voltage of 10V / 20V is as follows: (Please note that the X-Axis of the curves shows the % of State of Charge. The % of State of Discharge will be 100% - % State of Charge):

## SECTION 7 | General Information on Lead Acid Batteries

- 85% State of Discharge (15% State of Charge) at very high C-rate discharge current of C/3 Amps.
- 100% State of Discharge (0 % State of Charge) at high C-Rate discharge current of C/5 Amps.
- 100% discharged (0% State of charge) at lower C-rate Discharge current of C/10 Amps.

It is seen that at DC input voltage of 10V / 20V, the battery is completely discharged for C-rate discharge current of C/5 and lower.

*In view of the above, it may be seen that a fixed Low DC Input Voltage Alarm is not useful.* Temperature of the battery further complicates the situation. All the above analysis is based on battery electrolyte temperature of 80°F. The battery capacity varies with temperature. Battery capacity is also a function of age and charging history. Older batteries have lower capacity because of shedding of active materials, sulfation, corrosion, increasing number of charge / discharge cycles etc. Hence, the State of Discharge of a battery under load cannot be estimated accurately. However, the low DC input voltage alarm and shut-down functions are designed to protect the inverter from excessive current drawn at the lower voltage.

### 7.13 USE OF EXTERNAL PROGRAMMABLE LOW VOLTAGE DISCONNECTS

The above ambiguity can be removed by using an external, programmable Low Voltage Disconnect where more exact voltage threshold can be set to disconnect the battery based on the actual application requirements. Please consider using the following Programmable Low Battery Cut-off / “Battery Guard” Models manufactured by Samlex America, Inc. [www.samlexamerica.com](http://www.samlexamerica.com)

- BG-40 (40A) – For up to 400W, 12V inverter or 800W, 24V inverter
- BG-60 (60A) - For up to 600W, 12V inverter or 1200W, 24V inverter
- BG-200 (200A) - For up to 2000W, 12V inverter or 4000W, 24V inverter

### 7.14 DEPTH OF DISCHARGE OF BATTERY AND BATTERY LIFE

The more deeply a battery is discharged on each cycle, the shorter the battery life. Using more batteries than the minimum required will result in longer life for the battery bank. A typical cycle life chart is given in the Table 7.6:

Depth of Discharge % of Ah Capacity	Cycle Life of Group 27 /31	Cycle Life of Group 8D	Cycle Life of Group GC2
10	1000	1500	3800
50	320	480	1100
80	200	300	675
100	150	225	550

**NOTE:** It is recommended that the depth of discharge should be limited to 50%.



## SECTION 7 | General Information on Lead Acid Batteries

### 7.15 SERIES AND PARALLEL CONNECTION OF BATTERIES

#### 7.15.1 Series Connection

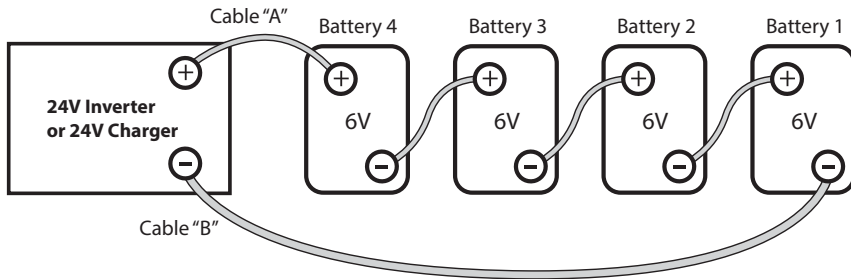


Fig 7.2: Series Connection

When two or more batteries are connected in series, their voltages add up but their Ah capacity remains the same. Fig. 7.2 shows 4 pieces of 6V, 200 Ah batteries connected in series to form a battery bank of 24V with a capacity of 200 Ah. The Positive terminal of Battery 4 becomes the Positive terminal of the 24V bank. The Negative terminal of Battery 4 is connected to the Positive terminal of Battery 3. The Negative terminal of Battery 3 is connected to the Positive terminal of Battery 2. The Negative terminal of Battery 2 is connected to the Positive terminal of Battery 1. The Negative terminal of Battery 1 becomes the Negative terminal of the 24V battery bank.

#### 7.15.2 Parallel Connection

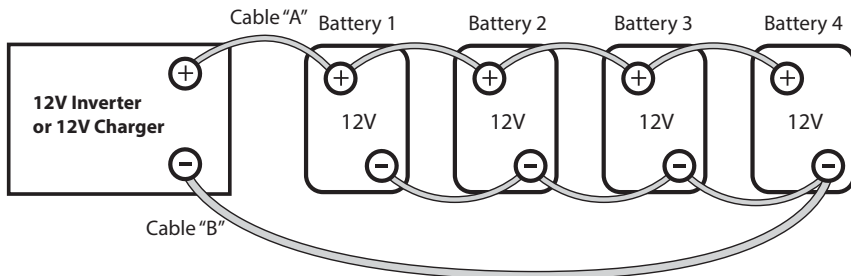


Fig 7.3: Parallel Connection

When two or more batteries are connected in parallel, their voltage remains the same but their Ah capacities add up. Fig. 7.3 shows 4 pieces of 12V, 100 Ah batteries connected in parallel to form a battery bank of 12V with a capacity of 400 Ah. The four Positive terminals of Batteries 1 to 4 are paralleled (connected together) and this common Positive connection becomes the Positive terminal of the 12V bank. Similarly, the four Negative terminals of Batteries 1 to 4 are paralleled (connected together) and this common Negative connection becomes the Negative terminal of the 12V battery bank.

## SECTION 7 | General Information on Lead Acid Batteries

### 7.15.3 Series – Parallel Connection

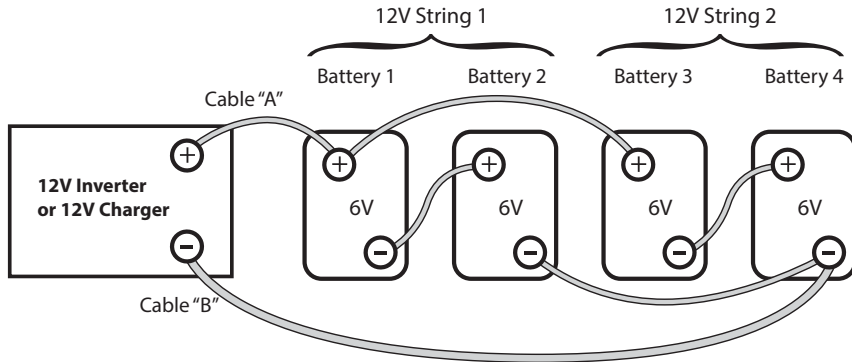


Fig. 7.4: Series-Parallel Connection

Figure 7.4 shows a series – parallel connection consisting of four 6V, 200 AH batteries to form a 12V, 400 Ah battery bank. Two 6V, 200 Ah batteries, Batteries 1 and 2 are connected in series to form a 12V, 200 Ah battery (String 1). Similarly, two 6V, 200 Ah batteries, Batteries 3 and 4 are connected in series to form a 12V, 200 Ah battery (String 2). These two 12V, 200 Ah Strings 1 and 2 are connected in parallel to form a 12V, 400 Ah bank.



#### CAUTION!

When 2 or more batteries / battery strings are connected in parallel and are then connected to an inverter or charger (See Figs 7.3 and 7.4), attention should be paid to the manner in which the charger / inverter is connected to the battery bank. Please ensure that if the Positive output cable of the battery charger / inverter (Cable "A") is connected to the Positive battery post of the first battery (Battery 1 in Fig. 7.3) or to the Positive battery post of the first battery string (Battery 1 of String 1 in Fig. 7.4), then the Negative output cable of the battery charger / inverter (Cable "B") should be connected to the Negative battery post of the last battery (Battery 4 as in Fig. 7.3) or to the Negative Post of the last battery string (Battery 4 of Battery String 2 as in Fig. 7.4). This connection ensures the following:

- The resistances of the interconnecting cables will be balanced.
- All the individual batteries / battery strings will see the same series resistance.
- All the individual batteries will charge / discharge at the same charging current and thus, will be charged to the same state at the same time.
- None of the batteries will see an overcharge condition.

## SECTION 7 | General Information on Lead Acid Batteries

### 7.16 SIZING THE INVERTER BATTERY BANK

One of the most frequently asked questions is, "how long will the batteries last?" This question cannot be answered without knowing the size of the battery system and the load on the inverter. Usually this question is turned around to ask "How long do you want your load to run?", and then specific calculation can be done to determine the proper battery bank size.

There are a few basic formulae and estimation rules that are used:

1. Active Power in Watts (W) = Voltage in Volts (V) x Current in Amperes (A) x Power Factor.
2. For an inverter running from a 12V battery system, the approximate DC current required from the 12V batteries is the AC power delivered by the inverter to the load in Watts (W) divided by 10 & for an inverter running from a 24V battery system, the approximate DC current required from the 24V batteries is the AC power delivered by the inverter to the load in Watts (W) divided by 20.
3. Energy required from the battery = DC current to be delivered (A) x Time in Hours (H).

The first step is to estimate the total AC watts (W) of load(s) and for how long the load(s) will operate in hours (H). The AC watts are normally indicated in the electrical nameplate for each appliance or equipment. In case AC watts (W) are not indicated, Formula 1 given above may be used to calculate the AC watts. The next step is to estimate the DC current in Amperes (A) from the AC watts as per Formula 2 above. An example of this calculation for a 12V inverter is given below:

**Let us say that the total AC Watts delivered by the inverter = 1000W.**

Then, using Formula 2 above, the approximate DC current to be delivered by the 12V batteries =  $1000W \div 10 = 100$  Amperes, or by 24V batteries =  $1000W \div 20 = 50A$ .

**Next, the energy required by the load in Ampere Hours (Ah) is determined.**

For example, if the load is to operate for 3 hours then as per Formula 3 above, the energy to be delivered by the 12V batteries =  $100 \text{ Amperes} \times 3 \text{ Hours} = 300$  Ampere Hours (Ah), or by the 24V batteries =  $50A \times 3 \text{ Hrs} = 150 \text{ Ah}$ .

**Now, the capacity of the batteries is determined based on the run time and the usable capacity.**

From Table 7.3 "Battery Capacity versus Rate of Discharge", the usable capacity at 3 Hour discharge rate is 60%. Hence, the actual capacity of the 12V batteries to deliver 300 Ah will be equal to:  $300 \text{ Ah} \div 0.6 = 500 \text{ Ah}$ , and the actual capacity of the 24V battery to deliver 150 Ah will be equal to  $150 \text{ Ah} \div 0.6 = 250 \text{ Ah}$ .

**And finally, the actual desired rated capacity of the batteries is determined** based on the fact that normally only 80% of the capacity will be available with respect to the rated capacity due to non availability of ideal and optimum operating and charging conditions. So the final requirements will be equal to:

## SECTION 7 | General Information on Lead Acid Batteries

FOR 12V BATTERY:

$500 \text{ Ah} \div 0.8 = 625 \text{ Ah}$  (note that the actual energy required by the load was 300 Ah).

FOR 24V BATTERY:

$250 \text{ Ah} \div 0.8 = 312.5 \text{ Ah}$  (Note that the actual energy required was 150 Ah).

It will be seen from the above that the final rated capacity of the batteries is almost 2 times the energy required by the load in Ah. ***Thus, as a Rule of Thumb, the Ah capacity of the batteries should be twice the energy required by the load in Ah.***

### 7.17 CHARGING BATTERIES

Batteries can be charged by using good quality AC powered battery charger or from alternative energy sources like solar panels, wind or hydro systems. Make sure an appropriate Battery Charge Controller is used. It is recommended that batteries may be charged at 10% to 13% of their Ah capacity (Ah capacity based on C-Rate of 20 Hr Discharge Time). Also, for complete charging (return of 100% capacity) of Sealed Lead Acid Battery, it is recommended that a 3 Stage Charger may be used (Constant Current Bulk Charging Stage ▶ Constant Voltage Boost / Absorption Charging ▶ Constant Voltage Float Charging).

In case, Wet Cell / Flooded Batteries are being used, a 4-stage charger is recommended (Constant Current Bulk Charging Stage ▶ Constant Voltage Boost / Absorption Stage ▶ Constant Voltage Equalization Stage ▶ Constant Voltage Float Stage).

## SECTION 8 | Installation



### WARNING!

1. Before commencing installation, please read the safety instructions explained in Section 1 titled "Safety Instructions".
2. It is recommended that the installation should be undertaken by a qualified, licensed / certified electrician.
3. Various recommendations made in this manual on installation will be superseded by the National / Local Electrical Codes related to the location of the unit and the specific application.

## SECTION 8 | Installation

### 8.1 LOCATION OF INSTALLATION

Please ensure that the following requirements are met:

**Working Environment:** Indoor use.

**Cool:** Heat is the worst enemy of electronic equipment. Hence, please ensure that the unit is installed in a cool area that is also protected against heating effects of direct exposure to the sun or to the heat generated by other adjacent heat generating devices.

**Well Ventilated:** The unit is cooled by convection and by forced air-cooling by temperature controlled fan (behind openings 6, Fig 6.1). The fan draws cool air from air-suction openings on the bottom (11, Fig 6.1) and discharges hot air through the exhaust openings next to the fan (6, Fig 6.1). To avoid shut down of the inverter due to over temperature, do not cover or block these suction / exhaust openings or install the unit in an area with limited airflow. Keep a minimum clearance of 10" around the unit to provide adequate ventilation. If installed in an enclosure, openings must be provided in the enclosure, directly opposite to the air-suction and air-exhaust openings of the inverter.

**Dry:** There should be no risk of condensation, water or any other liquid that can enter or fall on the unit.

**Clean:** The area should be free of dust and fumes. Ensure that there are no insects or rodents. They may enter the unit and block the ventilation openings or short circuit electrical circuits inside the unit.

**Protection Against Fire Hazard:** The unit is not ignition protected and should not be located under any circumstance in an area that contains highly flammable liquids like gasoline or propane as in an engine compartment with gasoline-fueled engines. Do not keep any flammable / combustible material (i.e., paper, cloth, plastic, etc.) near the unit that may be ignited by heat, sparks or flames.

**Closeness to the Battery Bank:** Locate the unit as close to the battery bank as possible to prevent excessive voltage drop in the battery cables and consequent power loss and reduced efficiency. However, the unit should not be installed in the same compartment as the batteries (flooded or wet cell) or mounted where it will be exposed to corrosive acid fumes and flammable Oxygen and Hydrogen gases produced when the batteries are charged. The corrosive fumes will corrode and damage the unit and if the gases are not ventilated and allowed to collect, they could ignite and cause an explosion.

**Accessibility:** Do not block access to the front panel. Also, allow enough room to access the AC receptacles and DC wiring terminals and connections, as they will need to be checked and tightened periodically.

**Preventing Radio Frequency Interference (RFI):** The unit uses high power switching circuits that generate RFI. This RFI is limited to the required standards. Locate any electronic equipment susceptible to radio frequency and electromagnetic interference as far away from the inverter as possible. *Read Section 3, "Limiting Electromagnetic Interference (EMI)" for additional information.*

## SECTION 8 | Installation

### 8.2 OVERALL DIMENSIONS

The overall dimensions and the location of the mounting slots are shown in Fig. 8.1.1 for PST-600 and 8.1.2 for PST-1000:

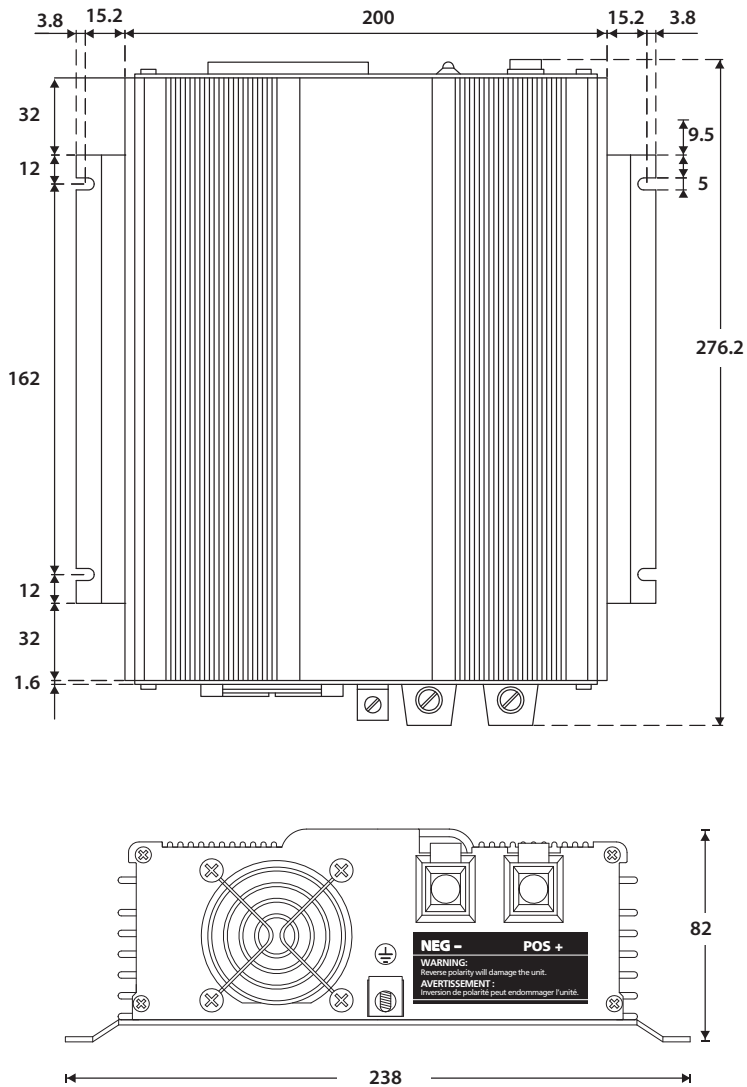


Fig. 8.1.1: PST-600 Overall Dimensions & Mounting Slots (NOTE: Dimensions in mm)

# SECTION 8 | Installation

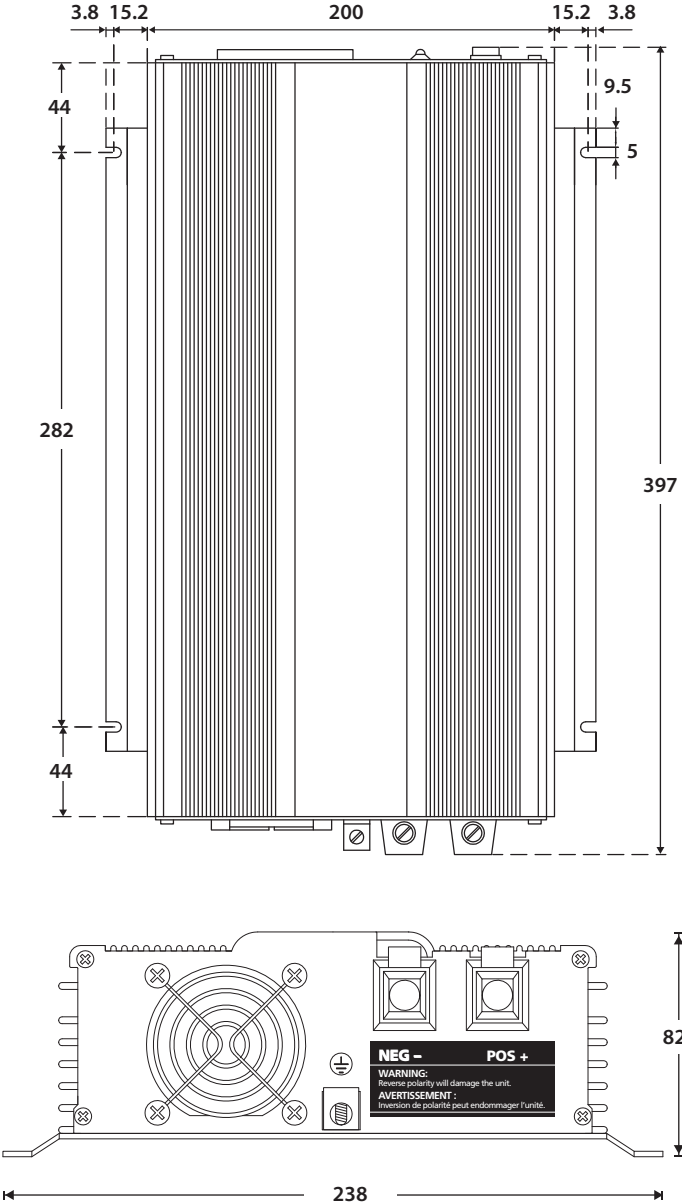


Fig. 8.1.2: PST-1000 Overall Dimensions & Mounting Slots (NOTE: Dimensions in mm)

## SECTION 8 | Installation

### 8.3 MOUNTING ORIENTATION

The unit has air intake and exhaust openings for the cooling fan. It has to be mounted in such a manner so that small objects should not be able to fall easily into the unit from these openings and cause electrical / mechanical damage. Also, the mounting orientation should be such that if the internal components overheat and melt / dislodge due to a catastrophic failure, the melted / hot dislodged portions should not be able to fall out of the unit on to a combustible material and cause a fire hazard. The size of openings has been limited as per the safety requirements to prevent the above possibilities when the unit is mounted in the recommended orientations. In order to meet the regulatory safety requirements, the mounting has to satisfy the following requirements:

- Mount on a non-combustible material.
- The mounting surface should be able to support the weight of the unit
- Mount horizontally on a horizontal surface - above a horizontal surface (e.g. table top or a shelf).
- Mount horizontally on a vertical surface – The unit can be mounted on a vertical surface (like a wall) with the fan axis horizontal (fan opening facing left or right).



#### **WARNING!**

Mounting the unit vertically on a vertical surface is NOT recommended (fan opening facing up or down). As explained above, this is to prevent falling of objects into the unit through the fan opening when the fan opening faces up. If fan opening faces down, hot damaged component may fall out.

The surface of the unit is likely to be at elevated temperature in conditions of higher load and higher ambient temperature. Hence, the unit should be installed in a manner where it is not likely to come in contact with any person.

### 8.4 DC SIDE CONNECTIONS

#### 8.4.1 Preventing DC Input Over Voltage

It is to be ensured that the DC input voltage of this unit does not exceed 16.5 VDC for PST-600-12 / PST-1000-12 and 33.0 VDC for PST-600-24 / PST-1000-24 to prevent permanent damage to the unit. Please observe the following precautions:

- Ensure that the maximum charging voltage of the external battery charger / alternator / solar charge controller does not exceed 16.5 VDC for PST-600-12 / PST-1000-12 and 33.0 VDC for PST-600-24 / PST-1000-24
- Do not use unregulated solar panels to charge the battery connected to this unit. Under open circuit conditions and in cold ambient temperatures, the output of the solar panel may be > 22 VDC for 12V nominal panel and > 44V for 24V nominal panel. Always use a charge controller between the solar panel and the battery.
- When using Diversion Charge Control Mode in a charge controller, the solar / wind / hydro source is directly connected to the battery bank. In this case, the controller will divert excess current to an external load. As the battery charges, the diversion duty



## SECTION 8 | Installation

cycle will increase. When the battery is fully charged, all the source energy will flow into the diversion load if there are no other loads. The charge controller will disconnect the diversion load if the current rating of the controller is exceeded. Disconnection of the diversion load may damage the battery as well as the inverter or other DC loads connected to the battery due to high voltages generated during conditions of high winds (for wind generators), high water flow rates (for hydro generators). It is, therefore, to be ensured that the diversion load is sized correctly to prevent the above over voltage conditions.

- Do not connect this unit to a battery system with a voltage higher than the rated battery input voltage of the unit (e.g. do not connect PST-600-12 / PST-1000-12 to 24V or 48V Battery System or PST-600-24 / PST-1000-24 to 48V Battery System).

### 8.4.2 Preventing Reverse Polarity on the DC Input Side



#### CAUTION!

Damage caused by reverse polarity is not covered by warranty! When making battery connections on the input side, make sure that the polarity of battery connections is correct (Connect the Positive of the battery to the Positive terminal of the unit and the Negative of the battery to the Negative terminal of the unit). If the input is connected in reverse polarity, DC fuse(s) inside the inverter will blow and may also cause permanent damage to the inverter.

### 8.4.3 Connection from Batteries to the DC Input Side – Sizing of Cables and Fuses



#### CAUTION!

The input section of the inverter has large value capacitors connected across the input terminals. As soon as the DC input connection loop (Battery (+) terminal → External Fuse → Positive input terminal of the Inverter → Negative input terminal of the Inverter → Battery (-) terminal) is completed, these capacitors will start charging and the unit will **momentarily** draw very heavy current to charge these capacitors that will produce sparking on the last contact in the input loop even when the unit is in powered down condition. Ensure that the fuse is inserted only after all the connections in the loop have been completed so that sparking is limited to the fuse area.

Flow of electric current in a conductor is opposed by the resistance of the conductor. The resistance of the conductor is directly proportional to the length of the conductor and inversely proportional to its cross-section (thickness). The resistance in the conductor produces undesirable effects of voltage drop and heating. The size (thickness / cross-section) of the conductors is designated by AWG (American Wire Gauge). Conductors thicker than AWG #4/0 are sized in MCM/kcmil. Table 8.1 below gives Resistance in Ohm ( $\Omega$ ) per Foot at 25°C / 77°F for the wire sizing recommended for use with this inverter.

## SECTION 8 | Installation

WIRE SIZE, AWG	RESISTANCE IN OHM ( $\Omega$ ) PER FOOT AT 25°C / 77°F
AWG#2	0.000159 $\Omega$ per Foot
AWG#1/0	0.000096 $\Omega$ per Foot
AWG#2/0	0.000077 $\Omega$ per Foot
AWG#4/0	0.000050 $\Omega$ per Foot

Conductors are protected with insulating material rated for specific temperature e.g. 105°C/221°F. As current flow produces heat that affects insulation, there is a maximum permissible value of current (called "Ampacity") for each size of conductor based on temperature rating of its insulation. The insulating material of the cables will also be affected by the elevated operating temperature of the terminals to which these are connected. Ampacity of cables is based on UL-458 and the National Electrical Code (NEC)-2014. Please see details given under "Notes for Table 8.2".

The DC input circuit is required to handle very large DC currents and hence, the size of the cables and connectors should be selected to ensure minimum voltage drop between the battery and the inverter. Thinner cables and loose connections will result in poor inverter performance and will produce abnormal heating leading to risk of insulation melt down and fire. Normally, the thickness of the cable should be such that the voltage drop due to the current & the resistance of the length of the cable should be less than 2% to 5%. Use oil resistant, multi-stranded copper wire cables rated at 105°C / 77°F minimum. Do not use aluminum cable as it has higher resistance per unit length. Cables can be bought at a marine / welding supply store. Effects of low voltage on common electrical loads are given below:

- **Lighting circuits** - incandescent and Quartz Halogen: A 5% voltage drop causes an approximate 10% loss in light output. This is because the bulb not only receives less power, but the cooler filament drops from white-hot towards red-hot, emitting much less visible light.
- **Lighting circuits** - fluorescent: Voltage drop causes a nearly proportional drop in light output.
- **AC induction motors** - These are commonly found in power tools, appliances, well pumps etc. They exhibit very high surge demands when starting. Significant voltage drop in these circuits may cause failure to start and possible motor damage.
- **PV battery charging circuits** - These are critical because voltage drop can cause a disproportionate loss of charge current to charge a battery. A voltage drop greater than 5% can reduce charge current to the battery by a much greater percentage.

### 8.4.4 Fuse Protection in the Battery Circuit

A battery is an **unlimited** source of current. Under short circuit conditions, a battery can supply thousands of Amperes of current. If there is a short circuit along the length of the cables that connects the battery to the inverter, thousands of Amperes of current can flow from the battery to the point of shorting and that section of the cable will

## SECTION 8 | Installation

become red-hot, the insulation will melt and the cable will ultimately break. This interruption of very high current will generate a hazardous, high temperature, high-energy arc with accompanying high-pressure wave that may cause fire, damage nearby objects and cause injury. To prevent occurrence of hazardous conditions under short circuit conditions, the fuse used in the battery circuit should limit the current (should be "Current Limiting Type"), blow in a very short time (should be Fast Blow Type) and at the same time, quench the arc in a safe manner. For this purpose, **UL Class T Fuse** or equivalent should be used (As per UL Standard 248-15). This special purpose current limiting, very fast acting fuse will blow in less than 8 ms under short circuit conditions. **Appropriate capacity of the above Class T fuse or equivalent should be installed within 7" of the battery Plus (+) Terminal** (Please see Table 8.2 for fuse sizing). Marine Rated Battery Fuses, MRBF-xxx Series made by Cooper Bussmann may also be used. These fuses comply with ISO 8820-6 for road vehicles.



### WARNING!

Use of an appropriately sized external fuse as described above is **mandatory** to provide safety against fire hazard due to accidental short circuit in the battery cables. Please note that the internal DC side fuses are designed to protect their internal components of the inverter against DC side overloading. These fuses will **NOT** blow if there is a short circuit along the length of wires connecting the battery and the inverter.

### 8.4.5 Recommended Sizes of Battery Cables and Fuses

Sizes of cables and fuses are shown in Table 8.2. Sizing is based on safety considerations specified in UL-458, NEC-2014 and ISO-10133. Please refer to "Notes for Table 8.2" for details.

Model No.	Maximum Continuous DC Input Current (See Note 1)	Minimum Ampacity of cable as per NEC (See Note 2)	External Battery Fuse Size (Based on Column 2) (See Note 3)	Minimum cable size (See Note 4)			Part No. of Recommended Samlex America Inverter Installation Kit (See Note 5)
				3 ft / 0.91M	6 ft / 1.83M	10 ft / 3.05M	
(1)	(2)	(3)	(4)	(5)	(6)	(7)	(8)
PST-600-12	80A	100A	80A	AWG#6	AWG#4	AWG#2	DC-1000-KIT
PST-600-24	40A	50A	40A	AWG#10	AWG#10	AWG#6	DC-1000-KIT
PST-1000-12	160A	200A	160A	AWG#2	AWG#1/0	AWG#3/0	DC-2000-KIT
PST-1000-24	80A	100A	80A	AWG#6	AWG#6	AWG#4	DC-1000-KIT

## SECTION 8 | Installation

### NOTES FOR TABLE 8.2

- 1) Column 2 indicates the rated continuous DC input current drawn from the battery.
- 2) Column 3 indicates minimum NEC Ampacity for sizing of conductors. NEC Ampacity is not less than 125% of the rated continuous DC input current (Column 2) - Refer to NEC-2014 (National Electrical Code) - Section 215.2(A)(1)(a) for Feeder Circuits.
- 3) Column (4) indicates the size of external fuse in the battery circuit. It is mandatory to install this fuse within 7" of the battery Positive terminal to protect the battery cables against short circuit. Amp rating of the fuse is based on the following considerations:
  - a) Not less than the Maximum Continuous DC Input Current (Column 2)
  - b) Closest Standard Ampere Rating of Fuse has been used - Refer to NEC-2014 (National Electrical Code) - Section 240.6(A)
  - c) Where Standard Fuse Rating does not match the required Ampacity (Column 2), the next higher Standard Rating of the fuse has been used - Refer to NEC-2014 (National Electrical Code) - Section 240.4(B)
  - d) **Type of fuse:** Fast-acting, Current Limiting, UL Class T (UL Standard 248-15) or equivalent
- 4) Columns 5 to 7 indicate minimum cable conductor size that is based on the following 2 considerations. **Thicker conductor out of the following 2 considerations has been chosen:**
  - a) As per guidelines in ISO 10133 for 105°C cable insulation and cable running in free air. Conductor size is based on:
    - (i) NEC Ampacity specified at Column 3,
    - (ii) Copper conductor with temperature rating of 105°C/221°F and
    - (iii) Ambient temperature of 30°C / 86°F b)
  - b) Voltage drop across the length of cables limited to 2% of 12V / 24V.
    - i) Voltage drop has been calculated by multiplying the Rated DC Input Current (Column 2) and the resistance of the total length of Copper conductor (**the total length of conductor has been taken as 2 times the running distance between the unit and the battery to cover 2 lengths of Positive and Negative cable conductors**).
    - ii) Resistance of the cable is based on Table 8.1.
- 5) Samlex America, Inc. makes 4 Models of generic / universal Inverter Installation Kits to cover installation requirements of a wide power range from 600W to 3500W for 12V inverters and from 1200W to 7000W for 24V inverters. Please note that the Inverter Installation Kit that has been recommended in Column (8) may include thicker wire size / correspondingly bigger fuse size than those recommended in Table 8.2. This is acceptable.

Fuse in the battery circuit is primarily required for protection against short circuit in the battery cable run. The size of this fuse has to be equal to or larger than the maximum DC input current of the inverter at Column (2). Further, the Amp rating of the fuse used for protecting a battery cable against short circuit has to be lower than the

## SECTION 8 | Installation

Ampacity of the cable so that the fuse blows before the cable insulation is damaged due to overheating as a result of fault current higher than the Ampacity of the cable. The Amp ratings of fuses provided with the Inverter Installation Kits are lower than the wire size provided with the Kit.

The Kits come with 10ft length of cables to cover battery to inverter distance of up to 10 ft. If the actual cable routing distance from the battery to the inverter is less than 10ft, please cut-off the extra length of cables. This will result in reduction in the overall resistance of the cable / reduction in voltage drop and consequently, will improve the efficiency of the inverter system

### 8.4.6 DC Input Connection

The DC input terminals for battery connection (8 & 9 in Fig. 6.1) have 11 mm / 0.433" cylindrical hole with M-8 set screw.

DO NOT insert the stranded bare end of the wire directly into the tubular hole as the set screw will not pinch all the strands, resulting in a partial/loose contact.

To ensure firm contact, a pair of pin type terminal lugs have been provided as follows:

- PST-600: For up to AWG#2 or 35 mm<sup>2</sup> wire size (Part No. PTNB 35-20)
- PST-1000: For up to AWG#1/0 or 50 mm<sup>2</sup> wire size (Part No. PTNB 50-20)

### 8.4.7 Reducing RF Interference

Please comply with recommendations given in Section 3 – "Limiting Electromagnetic Interference".

## 8.5 AC SIDE CONNECTIONS



### **WARNING! Preventing Paralleling of the AC Output**

1. The AC output of the inverter cannot be synchronized with another AC source and hence, it is not suitable for paralleling. The AC output of the inverter should never be connected directly to an electrical breaker panel / load center which is also fed from the utility power/ generator. Such a connection will result in parallel operation and AC power from the utility / generator will be fed back into the inverter which will instantly damage the output section of the inverter and may also pose a fire and safety hazard. If an electrical breaker panel / load center is being fed from the utility power / generator and the inverter is required to feed this panel as backup power source, the AC power from the utility power/ generator and the inverter should first be fed to a manual selector switch / Automatic Transfer Switch and the output of the manual selector switch / Automatic Transfer Switch should be connected to the electrical breaker panel / load center.
2. To prevent possibility of paralleling and severe damage to the inverter, never use a simple jumper cable with a male plug on both ends to connect the AC output of the inverter to a handy wall receptacle in the home / RV.

## SECTION 8 | Installation

### 8.5.1 Bonding of AC Output Neutral to Chassis Ground

The Neutral slots of the NEMA5-20R GFCI Duplex Receptacles (5, Fig 6.1) are internally bonded to the metal chassis of the inverter.

### 8.5.2 AC Output Connection Through Ground Fault Circuit Interrupter (GFCI)

An un-intentional electric path between a source of current and a grounded surface is referred to as a "Ground Fault". Ground faults occur when current is leaking somewhere. In effect, electricity is escaping to the ground. How it leaks is very important. If your body provides a path to the ground for this leakage (dry human body has a low resistance of only around 1 K Ohm), you could be injured, burned, severely shocked or electrocuted. A Ground Fault Circuit Interrupter (GFCI) protects people from electric shock by detecting leakage and cutting off the AC source.

The AC output of this inverter is available through a NEMA5-20R GFCI Duplex Receptacle. The Neutral slot of this receptacle (longer rectangular slot) is internally bonded to the metal chassis of the inverter.

There is a Green indicator light that will be lighted when the GFCI is operating normally. The light will switch OFF if the GFCI is tripped.

The GFCI is provided with the following buttons:

- **Reset Button:** In case the GFCI is tripped, it can be reset by pressing the "Reset Button".

**NOTE:** For the Reset Button to operate, the inverter has to be in ON condition so that AC power is available to the internal Line Side of the GFCI

- **Test Button:** This button is used to test if the GFCI is operating normally. Test the GFCI periodically to ensure that it is operating normally.

The GFCI will trip due to the following conditions:

- Leakage or ground fault (Leakage of 5 to 6 mA)
- Neutral to Ground bonding (connection) on the load side of the GFCI



#### CAUTION!

1. Do not feed the output from the GFCI receptacle to a Panel Board / Load Center where the Neutral is bonded to the Earth Ground. This will trip the GFCI.
2. If an extension cord is used, please ensure that the cord is 2-Pole Grounding Type with NEMA5-15P or NEMA5-20P plug.

## **SECTION 8 | Installation**

### **8.5.3 Providing Backup Power Using Transfer Switch**

For this application, use a Transfer Switch that has Double Pole, Double Throw Contacts like in Samlex America, Inc. Transfer Switch Model No. STS-30. This type of Transfer Switch will be able to switch both the Hot and the Neutral and will prevent tripping of the GFCI due to Neutral to Ground bond in the Utility power:

- Feed utility power and output power from the inverter to the two inputs of the Transfer Relay
- Feed the output of the Transfer Switch to a Sub-Panel to feed AC loads requiring backup power
- Do not bond (connect) the Neutral and the Ground in the Sub-Panel
- When Utility power is available, the 2 poles of the Transfer Switch will connect the Hot and Neutral of the Utility power to the Hot and Neutral in the Sub-Panel. The Neutral of the Sub-Panel will be bonded to the Earth Ground through the Main Utility Supply Panel. As the Neutral of the inverter will be isolated from the Neutral of the utility power, the Neutral of the GFCI output will not be bonded to the Earth Ground and the GFCI will not trip
- When the Utility power fails or is interrupted, the Hot and the Neutral of the GFCI will be connected to the Hot and Neutral of the Sub-Panel. As the Neutral is not bonded to Earth Ground in the Sub-Panel, the GFCI in the inverter will not trip.

### **8.6 GROUNDING TO EARTH OR TO OTHER DESIGNATED GROUND**

For safety, ground the metal chassis of the inverter to the Earth Ground or to the other designated ground (For example, in a mobile RV, the metal frame of the RV is normally designated as the negative DC ground). An equipment grounding Lug (7) has been provided for grounding the metal chassis of the inverter to the appropriate ground.

When using the inverter in a building, connect a 10 mm<sup>2</sup> or AWG #8 insulated stranded copper wire from the above equipment grounding lug to the Earth Ground connection ( a connection that connects to the Ground Rod or to the water pipe or to another connection that is solidly bonded to the Earth Ground ). The connections must be tight against bare metal. Use star washers to penetrate paint and corrosion.

When using the inverter in a mobile RV, connect a 10 mm<sup>2</sup> or AWG #8 insulated stranded copper wire from the above equipment grounding lug to the appropriate ground bus of the RV (usually the vehicle chassis or a dedicated DC ground bus). The connections must be tight against bare metal. Use star washers to penetrate paint and corrosion.

### **8.7 OPTIONAL WIRED REMOTE CONTROL**

An optional Wired Remote Control Model No. RC-15A (with 16.5 ft. / 5 metre cable), is available for switching ON and switching OFF. It is plugged into Modular Jack (10, Fig 6.1). The remote has LED indications similar to the indications on the front panel (2,3,4 in Fig. 61). Read Remote Control Manual for details.

## SECTION 9 | Operation

### 9.1 SWITCHING THE INVERTER ON/OFF

Before switching on the inverter, check that all the AC loads have been switched OFF. The ON/OFF switch (1, Fig 6.1) on the front panel of the inverter is used to switch ON and switch OFF the inverter. This switch operates a low power control circuitry, which in turn controls all the high power circuitry. Optional Remote Control Model RC-15A may also be used for ON/OFF control.



#### CAUTION!

Please note that the ON/OFF switch is not switching the high power battery input circuit. Parts of the DC side circuit will still be alive even when the switch is in the OFF position. Hence, disconnect the DC and AC sides before working on any circuits connected to the inverter.

When the inverter is switched ON, the GREEN "POWER ON" LED (2, Fig. 6.1) will be lighted. This LED indicates that the input section of the inverter is operating normally. Under normal operating conditions, AC output voltage will now be available at the GFCI Duplex Receptacle (5, Fig 6.1). The Green indicator light on the GFCI will be lighted.

Switch on the AC load(s). The GREEN "POWER ON" LED (2, Fig 6.1) and the indication light on the GFCI should remain lighted for normal operation of the load.

### 9.2 POWERING ON THE LOADS

After the inverter is switched on, it takes a finite time to become ready to deliver full power. Hence, always switch on the load(s) after a few seconds of switching on the inverter. Avoid switching on the inverter with the load already switched on. This may prematurely trigger the overload protection.

When a load is switched on, it may require initial higher power surge to start. Hence, if multiple loads are being powered, they should be switched on one by one so that the inverter is not overloaded by the higher starting surge if all the loads are switched on at once.

### 9.3 TEMPERATURE CONTROLLED COOLING FAN

The cooling fan (behind the cooling fan discharge opening 6, Fig 6.1) is thermostatically controlled. Temperature of a critical hot spot inside the inverter is monitored to activate the fan and the over temperature shut-down. When the temperature of this hot spot reaches  $55^{\circ}\text{C} \pm 3^{\circ}\text{C}$ , the fan is switched ON. The fan will be automatically switched OFF once the hot spot cools down to  $45^{\circ}\text{C} \pm 3^{\circ}\text{C}$ . Please note that the fan may not come on at low loads or if the ambient temperature is cooler. This is normal.

### 9.4 INDICATIONS FOR NORMAL OPERATION

When the inverter is operating normally and supplying AC load(s), the GREEN "POWER ON" LED (2, Fig 6.1) and the indication light on the GFCI will be lighted. *Please see Section 10, "Protections" and Section 11 "Troubleshooting Guide" for symptoms of abnormal operation.*



## SECTION 9 | Operation

### 9.5 NO LOAD DRAW (IDLE CURRENT)

When the ON/OFF Switch (1, Fig 6.1) is turned ON, all the circuitry inside the inverter becomes alive and the AC output is made available. In this condition, even when no load is being supplied (or, if a load is connected but has been switched OFF), the inverter draws a small amount of current from the batteries to keep the circuitry alive and ready to deliver the required power on demand. This is called the "Idle Current" or the "No Load Draw". Hence, when the load is not required to be operated, turn OFF the ON/OFF switch (1, Fig 6.1) on the inverter to prevent unnecessary current drain from the battery.



#### INFO

When the inverter is turned OFF using the optional Remote Control RC-15A, some control circuitry in the inverter is still alive and will draw very low current. Therefore, to prevent any drain from the battery, switch OFF the inverter from the ON/OFF switch (1, Fig 6.1) provided on the front panel of the inverter.

## SECTION 10 | Protections

### 10. PROTECTIONS

The inverter has been provided with protections detailed below:

#### 10.1 POWER SURGE / OVERLOAD / SHORT CIRCUIT SHUT DOWN



#### INFO

Please refer to definitions of Active Power (Watts), Apparent Power (VA) and Power Factor (PF) at Section 2.1. In the explanation below, the values of Power are expressed in Apparent Power in VA. Corresponding Active Power (Watts, W) will depend upon the type of load (Resistive or Reactive) and its Power Factor (Power Factor may range from 1 to 0.5). Please note the following:

- Active Power (Watts) = Apparent Power (VA) x Power Factor (PF).
- For resistive type of loads, the Power Factor = 1 and hence, Apparent Power (VA) = Active Power (Watts, W)
- For reactive types of loads, the Power Factor will be < 1 (up to 0.5) and hence, the Active Power (Watts, W) will be less than the Apparent Power (VA)

The AC output voltage will shut down due to overload and short circuit conditions as follows:

## SECTION 10 | Protections

**Power Surge Condition:** When the AC output current tries to exceed around 166% of the rated output current for PST-600 or, 200% of the rated output current for PST-1000, output current limiting is carried out instantly resulting in drop in the AC output voltage (the drop is proportional to the load impedance). Surge Power of 166% for PST-600 and 200% for PST-1000 will, thus, be provided for < 8 ms every half cycle. If this situation continues for 2 to 2.5 sec, Overload Condition is activated.

**Overload Condition:** If there is a continuous overload of 110% to 115% for 2 to 3 sec, the output voltage will be shut down. Red LED marked "OVERLOAD" (3, Fig 6.1) will turn ON, the Green indication light on the GFCI outlet will be OFF and buzzer alarm will sound. The Green LED marked "POWER" (2, Fig 6.1) will continue to be lighted. The unit will be latched in this shut down condition and will require manual reset. To reset, switch OFF the unit using the ON/OFF Switch (1, Fig 6.1), wait for 3 minutes and then switch ON the unit again. Before switching ON, determine and remove the cause of overloading.

**Short Circuit Condition:** Short circuit condition will be detected when the AC output voltage drops to 80VAC or lower over a period of up to 2.5 sec. The AC output voltage will be shut down thereafter.

Red LED marked "OVERLOAD" (3, Fig 6.1) will turn ON, the Green indication light on the GFCI outlet will be OFF and buzzer alarm will sound. The Green LED marked "POWER" (2, Fig 6.1) will continue to be lighted. The unit will be latched in this shut down condition and will require manual reset. To reset, switch OFF the unit using the ON/OFF Switch (1, Fig 6.1), wait for 3 minutes and then switch ON the unit again. Before switching ON, determine and remove the cause of short circuit.

### 10.2 WARNING ALARM - LOW DC INPUT VOLTAGE

The voltage at the DC input terminals will be lower than the voltage at the battery terminals due to voltage drop in the battery wires and connectors. The drop in the voltage at the DC input terminals of the inverter could be due to lower battery voltage or due to abnormally high drop in the battery wires if the wires are not thick enough (*Please see Section 8.4.3 "Connection from Batteries to the DC Input Side – Sizing of Cables and Fuses"*). If the voltage at the DC input terminals drops to  $10.7V \pm 0.1V$  or lower for PST-600-12 / PST-1000-12 or to  $21.4V \pm 0.2V$  or lower for PST-600-24 / PST-1000-24, a buzzer alarm will be sounded. The Green LED marked "POWER" (2, Fig 6.1) and indication light on the GFCI will continue to be lighted and the AC output voltage would continue to be available. This warning buzzer alarm indicates that the battery is running low and that the inverter will be shut down after sometime if the voltage at the inverter terminals further drops to  $10V \pm 0.1V$  or lower for PST-600-12 / PST-1000-12 or, to  $20V \pm 0.2V$  or lower for PST-600-24 / PST-1000-24.

### 10.3 LOW DC INPUT VOLTAGE SHUT DOWN

If the voltage at the DC input terminals drops to  $10V \pm 0.1V$  or lower for PST-600-12 / PST-1000-12 or to  $20V \pm 0.2V$  or lower for PST-600-24 / PST-1000-24, the AC output is shut down. Buzzer alarm is sounded. The Green LED marked "POWER" (2, Fig 6.1) will remain lighted. The Green indication light on the GFCI will be OFF.

## SECTION 10 | Protections

The unit will reset automatically when the DC input voltage rises to  $11.5V \pm 0.3V$  or higher for PST-600-12 / PST-1000-12 or to  $23V \pm 0.5V$  or higher for PST-600-24 / PST-1000-24.

### 10.4 HIGH DC INPUT VOLTAGE SHUTDOWN

If the voltage at the DC input terminals rises to 16.5V or higher for PST-600-12 / PST-1000-12 or, to 33V or higher for PST-600-24 / PST-1000-24, the AC output voltage will be shut down temporarily. Buzzer alarm will be sounded. The Green LED marked "POWER" (2, Fig 6.1) will remain lighted. The Green indicator light on the GFCI will be OFF. The unit will be reset automatically when the voltage drops down to  $< 16.5V$  for PST-600-12 / PST-1000-12 or to 33V for PST-600-24 / PST-1000-24.

### 10.5 OVER-TEMPERATURE SHUT DOWN

In case of failure of the cooling fan or in the case of inadequate heat removal due to higher ambient temperatures / insufficient air exchange, the temperature inside the unit will increase. The temperature of a critical hot spot inside the inverter is monitored, and at  $90^{\circ}C \pm 5^{\circ}C$ , the AC output of the inverter is shut down temporarily. Buzzer alarm will be sounded. The Green LED marked "POWER" (2, Fig 6.1) will remain lighted. The Green indication light on the GFCI will be OFF.

The unit will automatically reset after the hot spot has cooled down to  $65^{\circ}C \pm 5^{\circ}C$ .

### 10.6 GROUND FAULT / LEAKAGE PROTECTION

AC Output is supplied through NEMA5-20R GFCI Duplex Receptacle (5, Fig 6.1). The GFCI will trip if there is 5 to 6 mA leakage / Ground fault on the load side or, if Neutral and Ground are bonded on the load side. When tripped, the Green LED indication will be switched OFF. Remove the cause of tripping. Switch ON the inverter if OFF and then, press the "Reset Button" on the GFCI to reset (GFCI will not reset if the inverter is OFF and there is no AC voltage on the internal Line Side of the GFCI).

### 10.7 INTERNAL DC SIDE FUSES

The following DC side fuses have been provided for internal protection of the DC input side. The fuses are 32V, Automotive Type Blade Fuses, Type "ATO" by Littell Fuse or equivalent:

PST-600-12: 2 pieces of 40A in parallel = 80A total

PST-600-24: 2 pieces of 20A in parallel = 40A total

PST-1000-12: 4 pieces of 40A in parallel = 160A total

PST-1000-24: 4 pieces of 20A in parallel = 80A total

**NOTE:** The fuses are installed in Fuse Holders. Hence, these can be removed and replaced easily.

## SECTION 10 | Protections

### 10.8 REVERSE POLARITY AT THE DC INPUT TERMINALS

The Positive of the battery should be connected to the Positive DC input terminal of the inverter and the Negative of the battery should be connected to the Negative DC input terminal of the inverter. A reversal of polarity (the Positive of the battery wrongly connected to the Negative DC input terminal of the inverter and the Negative of the battery wrongly connected to the Positive DC input terminal of the inverter) will blow the external / internal DC side fuses. If the DC side fuse is blown, the inverter will be dead. The Green LED marked "POWER" (2, Fig 6.1) and the Green indication light on the GFCI will be switched OFF and there will be no AC output.



#### INFO

Reverse polarity connection is likely to damage the DC input circuitry. The internal fuse(s) should be replaced with the same size of fuse(s) used in the unit. If the unit does not work after replacing the fuse(s), it has been permanently damaged and will require repair / replacement (*Please read Section 11 - "Troubleshooting Guide" for more details*).



#### CAUTION!

Damage caused by reverse polarity is not covered by warranty! When making battery connections on the input side, make sure that the polarity of battery connections is correct (Connect the Positive of the battery to the Positive terminal of the unit and the Negative of the battery to the Negative terminal of the unit). If the input is connected in reverse polarity, DC fuse(s) inside the inverter / external fuse will blow and may also cause permanent damage to the inverter.

## SECTION 11 | Troubleshooting Guide

ISSUE	POSSIBLE CAUSE	REMEDY
<p>When switched ON, the Green LED marked "POWER" (2, Fig 6.1) does not light. Buzzer is OFF. There is no AC output voltage. Green indication light on the GFCI is OFF.</p>	<p>There is no voltage at the DC input terminals</p>	<ul style="list-style-type: none"> <li>• Check the continuity of the battery input circuit.</li> <li>• Check that the internal/external battery fuses are intact. Replace if blown.</li> <li>• Check that all connections in the battery input circuit are tight.</li> </ul>
	<p>Polarity of the DC input voltage has been reversed that has blown the external / internal DC side fuses (Note: Reverse polarity may cause permanent damage. Damage caused due to reverse polarity is not covered by warranty)</p>	<ul style="list-style-type: none"> <li>• Check external and internal fuses. Replace fuses. If unit does not work, call Technical Support for repair.</li> </ul>
<p>Low AC output voltage (&lt; 120VAC but &gt; 80VAC) (No buzzer alarm).</p>	<ul style="list-style-type: none"> <li>• AC load is exceeding Surge Overload of 166% for PST-600 or 200% for PST-1000</li> <li>• Load is approaching Surge Overload of 166% for PST-600 or 200% for PST-1000 during lower DC input voltage</li> </ul>	<ul style="list-style-type: none"> <li>• Check that the battery is fully charged. Recharge, if low.</li> <li>• Check that the battery cables are thick enough to carry the required current over the required length. Use thicker cables, if required.</li> <li>• Tighten connections of battery input circuit.</li> <li>• Reduce load.</li> </ul>
<p>AC output voltage is available. Buzzer alarm is sounded at no load or, when load is switched ON. The Green LED marked "POWER" (2, Fig 6.1) is lighted. Indication light on the GFCI is Green.</p>	<ul style="list-style-type: none"> <li>• Low DC input voltage alarm</li> <li>• DC input voltage is <math>10.7 \pm 0.1V</math> or lower but <math>10V \pm 0.1V</math> or higher for PST-600-12 / PST-1000-12</li> <li>• DC input voltage is <math>21.4 \pm 0.2V</math> or lower but <math>20V \pm 0.2V</math> or higher for PST-600-24 / PST-1000-24</li> </ul>	<ul style="list-style-type: none"> <li>• Check that the battery is fully charged. Recharge, if low.</li> <li>• Check that the battery cables are thick enough to carry the required current over the required length. Use thicker cables, if required.</li> <li>• Tighten connections of the battery input circuit.</li> </ul>
<p>There is no AC output voltage. Buzzer alarm is sounded at no load or when load is switched ON. The Green LED marked "POWER" (2, Fig 6.1a) is lighted. GREEN indication light on the GFCI is OFF. There is no AC output.</p>	<ul style="list-style-type: none"> <li>• AC output voltage has been shut down due to low DC input voltage</li> <li>• DC input voltage is <math>10 \pm 0.1V</math> or lower for PST-600-12 / PST-1000-12</li> <li>• DC input voltage is <math>20 \pm 0.2V</math> or lower for PST-600-24 / PST-1000-24</li> </ul>	<ul style="list-style-type: none"> <li>• Check that the battery is fully charged. Recharge, if low.</li> <li>• Check that the battery cables are thick enough to carry the required current over the required length. Use thicker cables, if required.</li> <li>• Tighten connections of the battery input circuit.</li> <li>• The AC output voltage will switch ON automatically when the DC input voltage rises to <math>11.5V \pm 0.1V</math> or higher for PST-600-12 / PST-1000-12 or, <math>23V \pm 0.2V</math> or higher for PST-600-24 / PST-1000-24.</li> </ul>

## SECTION 11 | Troubleshooting Guide

ISSUE	POSSIBLE CAUSE	REMEDY
<p>There is no AC output. The Green LED marked "POWER" (2, FIG 6.1) is lighted. Buzzer is ON. Green indication light on the GFCI is OFF.</p>	<ul style="list-style-type: none"> <li>• Shut-down due to high input DC voltage</li> <li>• DC input voltage is 16.5V or higher for PST-600-12 / PST-1000-12</li> <li>• DC input voltage is 33V or higher for PST-600-24 / PST-1000-24</li> </ul>	<ul style="list-style-type: none"> <li>• Check that the voltage at the DC input terminals is less than 16.5V for PST-600-12 / PST-1000-12 and less than 33V for PST-600-24 / PST-1000-24</li> <li>• Ensure that the maximum charging voltage of the battery charger / alternator / solar charge controller is below 16.5V for PST-600-12 / PST-1000-12 and below 33V for PST-600-24 / PST-1000-24</li> <li>• Ensure that an unregulated solar panel is not used to charge a battery. Under cold ambient temperatures, the output of the solar panels may exceed 22V for 12V Panels or 44V for 24V Panels. Ensure that a charge controller is used between the solar panel and the battery.</li> </ul>
<p>AC output shuts down completely. Red LED marked "OVERLOAD" (3, Fig 6.1) is lighted. Buzzer is ON. The Green LED marked "POWER" (2, Fig 6.1) is lighted. Green indication light on the GFCI is OFF.</p>	<p>Permanent shut-down of the AC output due to continuous overload &gt; 110% - 115% for 2 to 3 sec or due to short circuit on the AC load circuit. (AC output voltage is 80VAC or less for up to 2.5 sec)</p>	<ul style="list-style-type: none"> <li>• Reduce the load / remove the short circuit</li> <li>• The load is not suitable as it requires higher power to operate. Use an inverter with higher power rating.</li> <li>• If the unit goes into permanent overload again after resetting and removing the load completely, the unit has become defective. Call Technical support.</li> </ul> <p><b>NOTE:</b> The unit will be latched in this shut-down condition and will require manual reset. To reset, switch OFF the power ON/OFF switch (1, Fig 6.1), wait for 3 minutes and then switch ON again.</p> <p>Before switching ON again, remove the cause of the shut-down.</p>
<p>There is no AC output. Buzzer alarm is sounded. Red LED marked "OVER TEMP" (4, Fig 6.1) is lighted. The Green LED marked "POWER" (2, Fig 6.1) is lighted. Green indication light on the GFCI is OFF.</p>	<p>Shut-down due to over temperature because of fan failure or inadequate cooling as a result of high ambient temperature or insufficient air exchange</p> <ul style="list-style-type: none"> <li>• Internal hot spot is at 90 ± 5°C or higher</li> </ul>	<p>Check that the fan is working. If not, the fan control circuit may be defective. Call Technical Support.</p> <p>If the fan is working, check that the ventilation slots on the suction side and the openings on the discharge side of the fan are not obstructed.</p> <p>If the fan is working and the openings are not obstructed, check that enough cool replacement air is available. Also check that the ambient air temperature is less than 40°C.</p> <p>Reduce the load to reduce the heating effect.</p> <p>After the cause of overheating is removed and the internal hot spot cools down to 65 ± 5°C, the AC output will be restored automatically.</p>
<p>There is no AC output. Green indication on the GFCI is OFF. The Green LED marked "POWER" (2, Fig 6.1a) is lighted. No buzzer alarm.</p>	<p>GFCI has tripped due to leakage or due to Neutral to Ground bond on the load side.</p>	<p>Check load side circuits for leakage or Neutral to Ground bond. Switch ON the inverter if in OFF condition. Check that Status LED (2, Fig 6.1) is Green. Press Reset Button on the GFCI to reset the GFCI. On resetting, the Green indication on the GFCI will switch ON.</p>

## SECTION 12 | Specifications

MODEL NO.	PST-600-12	PST-600-24
<b>OUTPUT</b>		
OUTPUT VOLTAGE	120 VAC $\pm$ 3%	120 VAC $\pm$ 3%
MAXIMUM OUTPUT CURRENT	5.1A	5.1A
OUTPUT FREQUENCY	60 Hz $\pm$ 1%	60 Hz $\pm$ 1%
TYPE OF OUTPUT WAVEFORM	Pure Sine Wave	Pure Sine Wave
TOTAL HARMONIC DISTORTION OF OUTPUT WAVEFORM	< 3%	< 3%
CONTINUOUS OUTPUT POWER (At Power Factor = 1)	600 Watts	600 Watts
SURGE OUTPUT POWER	1000 Watts (< 8 ms)	1000 Watts (< 8 ms)
PEAK EFFICIENCY	> 85%	> 85%
AC OUTPUT CONNECTIONS	NEMA5-20R GFCI Duplex Outlets.	NEMA5-20R GFCI Duplex Outlets.
<b>INPUT</b>		
NOMINAL DC INPUT VOLTAGE	12V	24V
DC INPUT VOLTAGE RANGE	10.7 - 16.5 VDC	21.4 - 33 VDC
MAXIMUM INPUT CURRENT	80A	40A
DC INPUT CURRENT AT NO LOAD	< 600 mA	< 450 mA
DC INPUT CONNECTIONS	Tubular hole diameter: 11 mm / 0.433" ; M8 Set Screw	
DC INPUT FUSES (INTERNAL)	2 x 40A = 80A (Each 40A, 32V, Automotive, Blade Type)	2 x 20A = 40A (Each 20A, 32V, Automotive, Blade Type)
<b>DISPLAY</b>		
LED	Power, Overload, Over Temperature	Power, Overload, Over Temperature
<b>PROTECTIONS</b>		
LOW DC INPUT VOLTAGE ALARM	10.7V $\pm$ 0.1V	21.4V $\pm$ 0.2V
LOW DC INPUT VOLTAGE SHUTDOWN	10V $\pm$ 0.1V ; Auto-reset: 11.5V $\pm$ 0.3V	20V $\pm$ 0.2V ; Auto-reset: 23V $\pm$ 0.5V
HIGH DC INPUT VOLTAGE SHUTDOWN	16.5V ; Auto-reset: < 16.5V	33V ; Auto-reset: < 33V
SHORT CIRCUIT SHUTDOWN	When output voltage drops to 80V or lower for up to 2.5 sec	
OVERLOAD SHUTDOWN	At overload of 110% to 115% for 2 to 2.5 sec	
GROUND FAULT SHUTDOWN	Through GFCI outlets (5 to 6 mA leakage)	
OVER TEMPERATURE SHUTDOWN	90°C $\pm$ 5°C ; Auto reset at 65°C $\pm$ 5°C	
REVERSE POLARITY ON DC INPUT SIDE	External / internal DC sides fuses will blow	
<b>REMOTE CONTROL</b>		
WIRED REMOTE CONTROL WITH LED / LED DISPLAY WIRED ON / OFF CONTROL	RC-15A (sold separately) with 15' cable	
<b>COOLING</b>		
FORCED AIR COOLING	Temperature controlled fan Fan ON at 55°C $\pm$ 3°C; Fan OFF at 45°C $\pm$ 3°C	
<b>COMPLIANCE</b>		
SAFETY	Intertek - ETL Listed. Conforms to ANSI/UL Standard 458 and certified to CSA Standard C22.2 No. 107.1-01	
EMI / EMC	FCC Part 15(B), Class B	
<b>ENVIRONMENT</b>		
WORKING ENVIRONMENT	Indoor use	
OPERATING TEMPERATURE RANGE	-20°C to 40°C / -4°F to 104°F	-20°C to 40°C / -4°F to 104°F
RELATIVE HUMIDITY	Up to 85%, non condensing	
<b>DIMENSIONS</b>		
(W X D X H), MM	238 x 276.2 x 82	238 x 276.2 x 82
(W X D X H), INCHES	9.37 x 10.87 x 3.23	9.37 x 10.87 x 3.23
<b>WEIGHT</b>		
KG	2.7	2.7
LBS	5.9	5.9

### NOTES:

1. All power ratings are specified for resistive load at Power Factor = 1.
2. All specifications given above are at ambient temperature of 25°C / 77°F.
3. Specifications are subject to change without notice

## SECTION 12 | Specifications



### CAUTION! RISK OF FIRE

Do not replace any vehicle fuse with a rating higher than recommended by the vehicle manufacturer. PST-600-12 is rated to draw 80 Amperes from 12V vehicle outlet and PST-600-24 is rated to draw 40 Amperes from 24V battery vehicle outlet. Ensure that the electrical system in your vehicle can supply this unit without causing the vehicle fusing to open. This can be determined by making sure that the fuse in the vehicle, which protects the outlet, is rated higher than 80 Amperes for PST-600-12 (12V battery), or higher than 40 Amperes for PST-600-24 (24V battery). Information on the vehicle fuse ratings is typically found in the vehicle operator's manual. If a vehicle fuse opens repeatedly, do not keep on replacing it. The cause of the overload must be found. On no account should fuses be patched up with tin foil or wire as this may cause serious damage elsewhere in the electrical circuit or cause fire.



## SECTION 12 | Specifications

MODEL NO.	PST-1000-12	PST-1000-24
<b>OUTPUT</b>		
OUTPUT VOLTAGE	120 VAC $\pm$ 3%	120 VAC $\pm$ 3%
MAXIMUM OUTPUT CURRENT	8.5A	8.5A
OUTPUT FREQUENCY	60 Hz $\pm$ 1%	60 Hz $\pm$ 1%
TYPE OF OUTPUT WAVEFORM	Pure Sine Wave	Pure Sine Wave
TOTAL HARMONIC DISTORTION OF OUTPUT WAVEFORM	< 3%	< 3%
CONTINUOUS OUTPUT POWER (At Power Factor = 1)	1000 Watts	1000 Watts
SURGE OUTPUT POWER	2000 Watts (< 8 ms)	2000 Watts (< 8 ms)
PEAK EFFICIENCY	> 85%	> 85%
AC OUTPUT CONNECTIONS	NEMA5-20R GFCI Duplex Outlets.	NEMA5-20R GFCI Duplex Outlets.
<b>INPUT</b>		
NOMINAL DC INPUT VOLTAGE	12V	24V
DC INPUT VOLTAGE RANGE	10.7 - 16.5 VDC	21.4 - 33 VDC
MAXIMUM INPUT CURRENT	160A	80A
DC INPUT CURRENT AT NO LOAD	< 800 mA	< 600 mA
DC INPUT CONNECTIONS	Tubular hole diameter: 11 mm / 0.433" ; M8 Set Screw	
DC INPUT FUSES (INTERNAL)	4 x 40A = 160A (Each 40A, 32V, Automotive, Blade Type)	4 x 20A = 80A (Each 20A, 32V, Automotive, Blade Type)
<b>DISPLAY</b>		
LED	Power, Overload, Over Temperature	Power, Overload, Over Temperature
<b>PROTECTIONS</b>		
LOW DC INPUT VOLTAGE ALARM	10.7V $\pm$ 0.1V	21.4V $\pm$ 0.2V
LOW DC INPUT VOLTAGE SHUTDOWN	10V $\pm$ 0.1V ; Auto-reset: 11.5V $\pm$ 0.3V	20V $\pm$ 0.2V ; Auto-reset: 23V $\pm$ 0.5V
HIGH DC INPUT VOLTAGE SHUTDOWN	16.5V ; Auto-reset: < 16.5V	33V ; Auto-reset: < 33V
SHORT CIRCUIT SHUTDOWN	When output voltage drops to 80V or lower for up to 2.5 sec	
OVERLOAD SHUTDOWN	At overload of 110% to 115% for 2 to 2.5 sec	
GROUND FAULT SHUTDOWN	Through GFCI outlets (5 to 6 mA leakage)	
OVER TEMPERATURE SHUTDOWN	90°C $\pm$ 5°C ; Auto reset at 65°C $\pm$ 5°C	
REVERSE POLARITY ON DC INPUT SIDE	External / internal DC sides fuses will blow	
<b>REMOTE CONTROL</b>		
WIRED REMOTE CONTROL WITH LED / LED DISPLAY WIRED ON / OFF CONTROL	RC-15A (sold separately) with 15' cable	
<b>COOLING</b>		
FORCED AIR COOLING	Temperature controlled fan Fan ON at 55°C $\pm$ 3°C; Fan OFF at 45°C $\pm$ 3°C	
<b>COMPLIANCE</b>		
SAFETY	Intertek - ETL Listed. Conforms to ANSI/UL Standard 458 and certified to CSA Standard C22.2 No. 107.1-01	
EMI / EMC	FCC Part 15(B), Class B	
<b>ENVIRONMENT</b>		
WORKING ENVIRONMENT	Indoor use	
OPERATING TEMPERATURE RANGE	-20°C to 40°C / -4°F to 104°F	-20°C to 40°C / -4°F to 104°F
RELATIVE HUMIDITY	Up to 85%, non condensing	
<b>DIMENSIONS</b>		
(W X D X H), MM	238 x 397 x 82	238 x 397 x 82
(W X D X H), INCHES	9.37 x 15.63 x 3.23	9.37 x 15.63 x 3.23
<b>WEIGHT</b>		
KG	4	4
LBS	8.8	8.8

### NOTES:

1. All power ratings are specified for resistive load at Power Factor = 1.
2. All specifications given above are at ambient temperature of 25°C / 77°F.
3. Specifications are subject to change without notice

## SECTION 12 | Specifications



### CAUTION! RISK OF FIRE

Do not replace any vehicle fuse with a rating higher than recommended by the vehicle manufacturer. PST-1000-12 is rated to draw 160 Amperes from 12V vehicle outlet and PST-1000-24 is rated to draw 80 Amperes from 24V battery vehicle outlet. Ensure that the electrical system in your vehicle can supply this unit without causing the vehicle fusing to open. This can be determined by making sure that the fuse in the vehicle, which protects the outlet, is rated higher than 160 Amperes for PST-1000-12 (12V battery), or higher than 80 Amperes for PST-1000-24 (24V battery). Information on the vehicle fuse ratings is typically found in the vehicle operator's manual. If a vehicle fuse opens repeatedly, do not keep on replacing it. The cause of the overload must be found. On no account should fuses be patched up with tin foil or wire as this may cause serious damage elsewhere in the electrical circuit or cause fire.

## **SECTION 13 | Warranty**

### **2 YEAR LIMITED WARRANTY**

PST-600-12, PST-600-24, PST-1000-12 and PST-1000-24 are manufactured by Samlex America, Inc. (the "Warrantor") is warranted to be free from defects in workmanship and materials under normal use and service. The warranty period is 2 years for the United States and Canada, and is in effect from the date of purchase by the user (the "Purchaser").

Warranty outside of the United States and Canada is limited to 6 months. For a warranty claim, the Purchaser should contact the place of purchase to obtain a Return Authorization Number.

The defective part or unit should be returned at the Purchaser's expense to the authorized location. A written statement describing the nature of the defect, the date of purchase, the place of purchase, and the Purchaser's name, address and telephone number should also be included.

If upon the Warrantor's examination, the defect proves to be the result of defective material or workmanship, the equipment will be repaired or replaced at the Warrantor's option without charge, and returned to the Purchaser at the Warrantor's expense. (Contiguous US and Canada only)

No refund of the purchase price will be granted to the Purchaser, unless the Warrantor is unable to remedy the defect after having a reasonable number of opportunities to do so. Warranty service shall be performed only by the Warrantor. Any attempt to remedy the defect by anyone other than the Warrantor shall render this warranty void. There shall be no warranty for defects or damages caused by faulty installation or hook-up, abuse or misuse of the equipment including exposure to excessive heat, salt or fresh water spray, or water immersion.

No other express warranty is hereby given and there are no warranties which extend beyond those described herein. This warranty is expressly in lieu of any other expressed or implied warranties, including any implied warranty of merchantability, fitness for the ordinary purposes for which such goods are used, or fitness for a particular purpose, or any other obligations on the part of the Warrantor or its employees and representatives.

There shall be no responsibility or liability whatsoever on the part of the Warrantor or its employees and representatives for injury to any persons, or damage to person or persons, or damage to property, or loss of income or profit, or any other consequential or resulting damage which may be claimed to have been incurred through the use or sale of the equipment, including any possible failure of malfunction of the equipment, or part thereof. The Warrantor assumes no liability for incidental or consequential damages of any kind.

**Samlex America Inc. (the "Warrantor")**  
**[www.samlexamerica.com](http://www.samlexamerica.com)**

# Contact Information

Toll Free Numbers

Ph: 800 561 5885

Fax: 888 814 5210

Local Numbers

Ph: 604 525 3836

Fax: 604 525 5221

Website

[www.samlexamerica.com](http://www.samlexamerica.com)

USA Shipping Warehouse

Kent WA

Canadian Shipping Warehouse

Delta BC

Email purchase orders to  
[orders@samlexamerica.com](mailto:orders@samlexamerica.com)



**samlex**america®



**samlex**power®

**Onduleur de  
Puissance  
CC-CA**  
Onde  
Sinusoïdale Pure

PST-600-12  
PST-600-24  
PST-1000-12  
PST-1000-24

Guide Du  
Propriétaire

Veillez lire cet  
manual avant  
d'installer votre  
onduleur.

# GUIDE DU PROPRIÉTAIRE | Index

<b>SECTION 1</b>	Consignes de Sécurité .....	3
<b>SECTION 2</b>	Information Générale .....	6
<b>SECTION 3</b>	Réduction d'Interférence Électromagnétique (IEM) .....	14
<b>SECTION 4</b>	Faire Marcher des Alimentations à Découpage .....	15
<b>SECTION 5</b>	Principes de Fonctionnement .....	17
<b>SECTION 6</b>	Disposition .....	18
<b>SECTION 7</b>	Information Générale à Propos des Batteries pour Faire Marcher les Onduleurs .....	19
<b>SECTION 8</b>	Installation .....	30
<b>SECTION 9</b>	Fonctionnement .....	43
<b>SECTION 10</b>	Protections .....	44
<b>SECTION 11</b>	Guide de Dépannage .....	48
<b>SECTION 12</b>	Spécifications .....	51
<b>SECTION 13</b>	Garantie .....	55

# SECTION 1 | Consignes de Sécurité

## 1.1 CONSIGNES DE SÉCURITÉ IMPORTANTES ET SYMBOLES

CONSERVEZ CES INSTRUCTIONS. Ce manuel contient des instructions importantes pour les modèles PST-600-12 / PST-1000-12 et PST-600-24 / PST-1000-24 qui devrait être suivie lors de l'installation, le fonctionnement et l'entretien.

Les symboles de sécurité suivants seront utilisés dans ce manuel pour souligner les informations liées à la sécurité lors de l'installation et de l'utilisation :



### MISE EN GARDE!

L'utilisateur pourrait se blesser lorsque les consignes de sécurité ne sont pas suivies.



### ATTENTION!

Il y a un risque d'endommager l'équipement lorsque l'utilisateur ne suit pas les instructions.



### INFO

Indication d'information supplémentaire qui pourrait être utiles.

Veuillez lire ces instructions avant d'installer ou de faire fonctionner l'appareil afin de prévenir des blessures corporelles ou d'endommager l'appareil.

## 1.2 CONSIGNES DE SÉCURITÉ - GÉNÉRALES

### Installation et conformité du câblage

- L'installation et le câblage doivent être conformes aux normes Électriques Locales et Nationales; l'installation doit être faite par un(e) électricien(ne) CERTIFIÉ(E).

### Prévention des décharges électriques

- Connectez toujours la connexion de terre de l'appareil au système de terre approprié.
- Seulement une personne qualifiée devrait réparer ou désassembler cet appareil.
- Débranchez tous les raccordements latéraux d'entrée et de sortie avant de travailler sur n'importe quel circuit associé au contrôleur de charge. Même si l'interrupteur «on/off» est dans la position «OFF», il pourrait rester des tensions dangereuses.
- Faites attention de ne pas toucher les bornes nues des condensateurs. Elles pourraient retenir des tensions mortelles, même lorsqu'une puissance ne les alimente plus. Déchargez les condensateurs avant de travailler sur les circuits.

### Lieu d'installation

- Il faut situer l'onduleur à l'intérieur dans un endroit bien frais, sec, et ventilé.
- Ne l'exposez pas à l'humidité, la pluie, la neige ou à toutes liquides.

## SECTION 1 | Consignes de Sécurité

- Afin de réduire les risques de la surchauffe ou d'un incendie, ne bloquez pas les ouvertures d'admission et d'échappement de les ventilateur de refroidissement.
- Pour assurer une bonne ventilation, n'installez pas l'appareil dans un compartiment sans espace.

### Prévention des risques d'incendie et d'explosion

- L'utilisation de l'appareil pourrait produire des arcs électriques ou des étincelles. Par conséquence, il ne devrait pas être utilisé dans les endroits où il y a des matériaux ou gaz nécessitant des équipements ignifuges, par exemple, des espaces contenant des machines alimenter par l'essence, des réservoirs d'essence ou, des compartiments à batterie.

### Précautions à prendre pour travailler avec des batteries

- Les batteries contiennent de l'acide sulfurique, électrolyte corrosif. Certains précautions doivent être prises afin d'empêcher tout contact avec la peau, les yeux ou les vêtements.
- Les batteries produisent de l'oxygène et de l'hydrogène, mélange de gaz explosif, lorsqu'elles sont rechargées. Ventilez à fond la zone de la batterie et suivez les recommandations du fabricant pour l'emploi de la batterie.
- Ne jamais fumer ni mettre une flamme à proximité des batteries.
- Soyez prudent, réduisez la risque de chute d'objets métalliques sur la batterie. Ce qui pourrait provoquer des étincelles, ou court-circuiter la batterie et les autres pièces électriques, et causer une explosion.
- Retirez tous objets métalliques: bagues, bracelets, montres, etc. lorsque vous travaillez avec des batteries. Les batteries pourraient produire un court-circuit assez puissant pour souder l'objet causant une brûlure grave.
- Si vous devez enlever la batterie, retirez toujours la borne négative de la batterie en premier. Assurez que tous les accessoires soient éteints, pour ne pas provoquer d'étincelle.

## 1.3 CONSIGNES DE SÉCURITÉ - POUR L'ONDULEUR

### Empêcher la Sortie CA de Se Mettre en Parallèle

La sortie CA de l'appareil ne devrait jamais être branchée directement à un tableau électrique qui est aussi alimenté par la puissance d'un service public / d'un générateur. Une connexion pareille pourrait résulter dans un fonctionnement en parallèle de ces derniers et, la puissance CA produite par un service public / générateur serait alimentée à l'appareil causant des dégats à la section de sortie, et engendrant une risque d'incendie ou de faire mal. Si le tableau électrique est alimenté par l'appareil et une puissance CA supplémentaire est requise, la puissance CA des sources comme un service public / générateur / onduleur devrait être envoyée en premier, à un sélecteur; la sortie du sélecteur devrait être liée au tableau électrique. Samlex America, Inc. Modèle Interrupteur de transfère automatique n° STS- 30 est recommandé pour cette application.



## SECTION 1 | Consignes de Sécurité



### ATTENTION!

Afin de d'éviter la possibilité que l'appareil se met en parallèle ou devient fortement endommagé, n'utilisez pas un câble de raccordement pour lier la sortie CA de l'appareil à un réceptacle mural commode dans la maison/le RV.

### Prévention d'une Surtension de l'Entrée CC

Il faut assurer que la tension d'entrée CC de cet appareil n'excède pas une tension de 16,5 VCC pour le système de batterie de 12V ou 33,0 VCC pour le système de batterie de 24V afin d'empêcher des endommagements permanents à l'appareil. Veuillez suivre les consignes suivantes:

- Assurez que la tension de chargement maximale du chargeur de batterie/l'alternateur/ contrôleur de charge externe n'excède pas une tension de 16,5 VCC (version 12V) ou 33,0 VCC (version 24V).
- N'utilisez pas un panneau solaire non-réglé pour recharger une batterie connectée à cet appareil. À des températures ambiantes froides, la sortie du panneau pourrait atteindre > 22 VCC (version de 12V) ou > 44 VCC (version de 24V). Utilisez toujours un contrôleur de charge entre la batterie et le panneau solaire.
- Ne connectez pas l'appareil à un système de batterie avec une tension plus forte que la tension d'entrée de l'appareil (par exemple, connectez pas la version de 12V à une batterie de 24V ou, la version de 24V ou à une batterie de 48V).

### Prévention de Polarités Renversées sur le Côté d'Entrée

Quand vous faites des connexions à la batterie du côté d'entrée, veuillez assurer que les polarités sont mises du bon côté (Liez le Positif de la batterie à la borne Positive de l'appareil et le Négatif de la batterie à la borne Négative de l'appareil). Si les polarités de l'entrée sont mises à l'envers, le(s) fusible(s) CC dans l'onduleur pourrait exploser et causer des dommages permanents à l'onduleur.



### ATTENTION!

Des dommages causés par un inversement des polarités ne sont pas couverts par la garantie.

### L'utilisation de fusible externe en circuit d'entrée CC

Utiliser Classe -T ou le fusible équivalent de la capacité appropriée au sein de 7 " de la borne positive de la batterie. Ce fusible est nécessaire pour protéger le câble d'entrée CC des dommages dus à un court-circuit le long de la longueur du câble. S'il vous plaît lire les instructions vertu de l'article 8.4.5 - Installation.

### Câblage de sortie CA au Panneaux CA de la distribution dans les véhicules récréatifs / camping-cars / caravanes / Remorques

## SECTION 1 | Consignes de Sécurité



### MISE EN GARDE! RISQUE DE DÉCHARGE ÉLECTRIQUE

Si l'appareil est installé dans les véhicules récréatifs / camping-cars / caravanes / remorques et est une connexion de cablage est utilisée pour alimenter la puissance CA de l'onduleur au tableau électrique CA du véhicule, il faut assurer qu'un(s) dispositif(s) différentiel(s) à courant résiduel soit installé dans le système de cablage pour protéger les circuits de dérivation.

Les DDR ci-dessous ont été tester, fonctionnent dans une manière satisfaisante. Des autres modèles pourraient échouer s'ils sont branchés à l'onduleur:

Fabricant du DDR	Fabricant's No. de Modèle	Description
Pass & Seymour	Série 2095	NEMA5-20 Duplex de 20A
Leviton	Série N7899	NEMA5-20 Duplex de 20A
Zhejiang Trimone	Série TGM20	NEMA5-20 Duplex de 20A

## SECTION 2 | Information Générale

### 2.1. DÉFINITION

Le vocabulaire suivant est employé dans cet manuel pour expliquer des concepts électriques, des spécifications et le fonctionnement:

**Valeur Maximale (Amplitude):** C'est une valeur maximale d'un paramètre électrique comme une tension ou un courant .

**Valeur MQ (Moyenne Quadratique):** C'est la valeur moyenne statistique d'une quantité qui varie en valeur au cours de temps. Par exemple, une onde sinusoïdale pure qui alterne entre les deux valeurs maximales de 169,68V et -169,68V, a une valeur MQ de 120 VCC. En plus, La valeur MQ d'une onde sinusoïdale pure = l'amplitude ÷ 1,414.

**Tension (V), Volts:** Elle est dénotée par «V» et l'unité est décrite en «Volts». C'est une force électrique qu'incite le courant électrique (I) quand il y a une connexion à une charge. Elle existe en deux formes, soit CC (Courant Continu - avec un flux dans une seule direction) ou soit CA (Courant Alterné – la direction du flux change de temps en temps). La valeur CA qui est montrée dans les spécifications est la valeur MQ (Moyenne Quadratique).

**Courant (I), Amps (A):** Il est dénoté par «I» et l'unité est décrite en Ampères – «A». C'est le flux des électrons à travers un conducteur quand une tension (V) y est appliquée.

**Fréquence (F), Hz:** C'est la mesure de la fréquence d'un événement périodique (par unité temps), par exemple, des cycles par seconde (ou Hertz) dans une tension sinusoïdale.

**Rendement, ( $\eta$ ):** Ceci est le rapport entre la Puissance de Sortie ÷ la Puissance d'entrée

## SECTION 2 | Information Générale

**Angle de Phase,  $(\varphi)$ :** Cet angle est dénoté par " $\varphi$ " et représente l'angle en degrés par lequel le vecteur de courant est en avance ou en retard comparé au vecteur de tension dans une tension sinusoïdale. Pour les charges purement inductives, le vecteur de courant est en retard du vecteur de tension par un Angle de Phase  $(\varphi) = 90^\circ$ . Pour les charges purement capacitives, le vecteur de courant est en avance du vecteur de tension par un Angle de Phase  $(\varphi) = 90^\circ$ . Pour les charges purement résistives, le vecteur de courant est en phase avec le vecteur de tension, ainsi l'Angle de Phase  $(\varphi) = 0^\circ$ . Si une charge est comprise d'une combinaison de résistances, inductances, capacitances, l'Angle de Phase  $(\varphi)$  du vecteur de courant net serait  $> 0^\circ < 90^\circ$  et pourrait être en retard ou en avance du vecteur de tension.

**Résistance (R), Ohm,  $\Omega$ :** Dans un conducteur, c'est la propriété qui est en opposition au flux de courant quand une tension y est appliquée à travers. Pour une résistance, le courant est en phase (pareille) avec la tension. Elle est dénotée par "R", son unité est décrite en "Ohm" - dénoté par " $\Omega$ ".

**Réactance Inductive ( $X_L$ ), Réactance Capacitive ( $X_C$ ) et Réactance (X):** La réactance est l'opposition d'un élément du circuit à un changement de courant ou de tension à cause de l'inductance ou de la capacitance de cet élément. La réactance Inductive ( $X_L$ ) est la propriété d'une bobine de fil à résister à tout changement du courant électrique dans la bobine. Elle est proportionnelle à la fréquence et inductance, et retarde le vecteur de courant par rapport au vecteur de tension, par l'Angle de Phase  $(\varphi) = 90^\circ$ . La Réactance Capacitive ( $X_C$ ) est la capacité des éléments capacitifs à opposer des changements de tension.  $X_C$  est inversement proportionnelle à la fréquence et capacitance, et avance le vecteur de courant, comparé au vecteur de tension, par l'Angle de Phase  $(\varphi) = 90^\circ$ . L'unité de  $X_L$  et  $X_C$  est décrite en "Ohm" - elle est aussi dénotée par " $\Omega$ ". La réactance inductive  $X_L$  retarde le courant de tension par  $90^\circ$  et en opposition, la réactance capacitive  $X_C$  avance le courant de tension par  $90^\circ$ . Donc, la tendance est qu'une réactance supprime l'autre. Dans un circuit contenant des inductances et des capacitances, la Réactance (X) nette est égale à la différence des valeurs des réactances inductive et capacitive. La Réactance (X) nette serait inductive si  $X_L > X_C$  et capacitive si  $X_C > X_L$ .

**Impédance, Z:** C'est la somme des facteurs de Résistance et tous vecteurs de Réactance dans un circuit.

**Puissance Active (P), Watts:** Elle est dénotée par «P» et son unité est le «Watt». C'est la puissance qui est consommée dans les éléments résistifs de la charge. Une charge requise une Puissance Réactive additionnelle pour alimenter les éléments inductifs et capacitifs. La puissance effective requise serait la Puissance Apparente qui est la somme vectorielle des Puissances Actives et Réactives.

**Puissance Réactive (Q), VAR:** Elle est dénotée par «Q» et une unité est un VAR. Au cours d'un cycle, cette puissance est stockée alternativement et renvoyée par les éléments inductifs et capacitifs. Ce n'est pas consommé par ces éléments dans la charge mais une certaine valeur est envoyée de la source CA aux éléments pendant le demi-cycle positif

## SECTION 2 | Information Générale

de la tension sinusoïdale (Valeur Positive) et la même valeur est renvoyée à la source CA pendant le demi-cycle négatif la tension sinusoïdale (Valeur Négative). Donc quand on prend la moyenne sur la période d'un cycle, la valeur nette de cette puissance est 0. Néanmoins, la puissance doit être fournie instantanément par une source CA. *Donc, la taille de l'onduleur, du câblage CA et des dispositifs de protection contre une surcharge est basée sur l'effet combiné des Puissances Actives et Réactives, aussi appelé la Puissance Apparente.*

**Puissance Apparente (S), VA:** Cette puissance, dénotée par "S", est la somme vectorielle de la Puissance Active en Watts et la Puissance Réactive en «VAR». En magnitude, elle est égale à la valeur de la tension «V» fois la valeur MQ du courant «A». L'unité est VA. Veuillez noter que la Puissance Apparente VA est plus que la Puissance Active en Watts. Donc la taille de l'onduleur, du câblage CA, et de les dispositifs de protection contre surcharge est basée sur la Puissance Apparente.

**Maximum de puissance nominale CA à fonctionnement continu :** cette cote peut être spécifié comme "Active" d'alimentation en watts (W) ou "puissance apparente" en volt-ampères (VA). Il est normalement spécifié dans "puissance active (P)" en watts de type résistif de charges qui ont le facteur de puissance =1. Types de charges réactives tirer une valeur plus élevée de la "puissance apparente" qui est la somme des "puissances active et réactive". Ainsi, source d'alimentation CA doit être dimensionné en fonction du plus élevé "Puissance apparente" Cote dans (VA) pour tous les types de réactifs de charge AC.

**Puissance nominale de surtension :** Pendant le démarrage, certaines charges nécessitent surtension considérablement plus élevé pour une courte durée (d'une durée de quelques dizaines de millise. à quelques secondes) par rapport au maximum de leur puissance nominale à fonctionnement continu. Quelques exemples de telles charges sont donnés ci-dessous :

- **Moteurs électriques :** Au moment où un moteur électrique est sous tension, le rotor est à l'arrêt (équivalent d'être "verrouillé"), il n'y a pas de "Back EMF" et les enroulements dessiner une très lourde augmentation subite de démarrage courant (ampères) appelé "rotor verrouillé ampères (LRA)" en raison d'une faible résistance c.c. des enroulements. La valeur et la durée de la Courant de surtension de départ / ALE du moteur dépend de la conception d'enroulement du moteur et de l'inertie / résistance au mouvement de charge mécanique étant entraînée par le moteur. Comme la vitesse du moteur monte à son régime nominal, "EMF de retour proportionnel à la vitesse de rotation est généré dans les bobinages et l'intensité du courant est réduite proportionnellement jusqu'à ce qu'il attire l'exécutant FLA / Puissance nominale à fonctionnement continu maximum au régime nominal.
- **Transformateurs (p. ex. Transformateurs d'isolement, Step-up / Des transformateurs abaisseurs, transformateur de puissance dans un four micro-ondes etc.) :** Au moment où l'alimentation secteur est fournie à un transformateur, le transformateur attire très lourd de pompage "courant d'appel de magnétisation" pour quelques millise. qui peut atteindre jusqu'à 10 fois la puissance continue maximale du transformateur.

## SECTION 2 | Information Générale

- **Des dispositifs comme réchauffeurs halogène en quartz à infrarouge (également utilisé dans les imprimantes laser) / feux halogène en quartz / ampoules à incandescence à l'aide de Tungsten thermoplongeurs :** Tungsten a une très haute résistance à Coefficient de Température Positif c'est-à-dire qu'elle a une résistance plus faible à froid et à chaud de résistance plus élevée. En tant qu'élément de chauffage de tungstène sera froid au moment de la mise sous tension, sa résistance sera faible et donc, l'appareil s'inspirera très lourd Courant de surtension de départ avec pour conséquence une puissance de surtension de départ très lourdes avec une valeur de jusqu'à 8 fois le maximum de puissance c.a. à fonctionnement continu.
- **L'AC à DC Alimentations en mode commuté (SMPS) :** Ce type d'alimentation est utilisé comme alimentation autonome ou comme frontal dans tous les dispositifs électroniques alimenté à partir d'Utilitaire / grille par exemple dans l'audio/vidéo/ Computing Devices et chargeurs de batterie (veuillez voir la section 4 pour plus de détails sur le SMPS). Lorsque l'alimentation est allumée, son côté entrée interne condensateurs démarrer la charge résultant en très haute surtension du courant d'appel pour quelques millisecc. (Veuillez voir Fig. 4.1). Cette hausse subite du courant d'appel / puissance peut atteindre jusqu'à 15 fois la puissance nominale maximale de circulation continue. La poussée du courant d'appel / puissance sera toutefois limitée par la puissance nominale de surtension de la source de courant AC.

**Facteur de Puissance, (FP):** Il est dénoté par «FP» et est égale au rapport de la Puissance Active (P) en Watts à la Puissance Apparente (S) en VA. La valeur maximale est 1 pour les charges types résistives où la Puissance Active (P) en Watts = Puissance Apparente (S) en VA. Ce facteur est à 0 pour les charges purement inductives ou capacitives. En pratique, les charges comprennent une combinaison d'éléments résistifs, inductifs, capacitifs et donc ses valeurs serait  $0 > FP < 1$ . Normalement les paramètres sont de 0,5 à 0,8 par exemple, (i) les moteurs AC (0,4 à 0,8), (ii) les transformateurs (0,8) (iii) AC d'Alimentations en mode de commutation c.c. (0,5 à 0,6), etc.

**Charge:** Un appareil ou dispositif électrique dont une tension est alimentée.

**Charge Linéaire:** Une charge qui tire un courant sinusoïdale quand une tension sinusoïdale lui est alimentée. Voici quelques exemples: lampe incandescente, appareil de chauffage, moteur électrique, etc.

**Charge Non-Linéaire:** Une charge qui ne tire pas un courant sinusoïdale quand une tension sinusoïdale lui est alimentée. Par exemple, des appareils à découpage (qui n'ont pas une amélioration du facteur de puissance) utilisés dans des ordinateurs, équipement acoustique de vidéo.

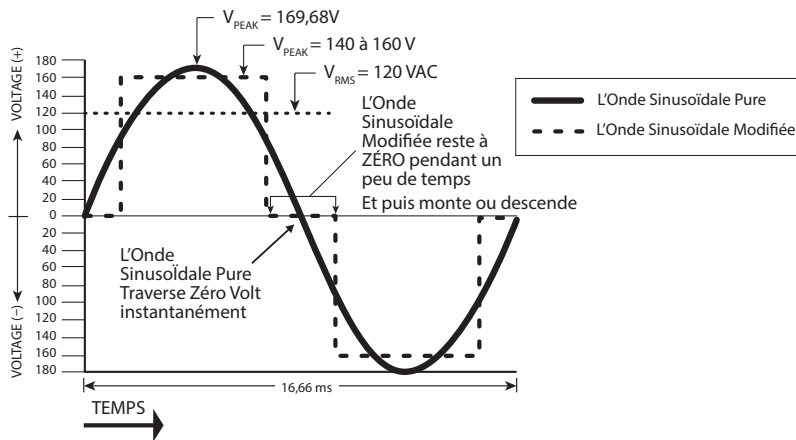
**Charge Résistive:** Un appareil ou dispositif qui comprend une résistance pure (comme des lampes à filament, brûleur, grille-pains, cafetières, etc.) et tire seulement la Puissance Active (Watts) de l'onduleur. L'inverseur peut être dimensionné en fonction de la puissance active (watts) de type résistif de charges sans créer de surcharge (à l'exception de type résistif de charges avec élément de chauffage de tungstène comme

## SECTION 2 | Information Générale

dans les ampoules à incandescence, les lampes halogènes à quartz et réchauds à infrarouge halogène en quartz. Ces nécessitent puissance de surtension de départ plus élevée à cause de la baisse de la valeur de résistance lorsque l'élément chauffant est froide).

**Charge Réactive:** Un dispositif ou appareil qui a des éléments résistives, inductives, et capacitives (comme des outils à moteur, des compresseurs de frigo, des micro-ondes, des ordinateurs, et des dispositifs acoustique/vidéo, etc.). Le facteur de puissance de ce type de charge est  $< 1$  p. ex. moteurs CA (PF = 0,4 à 0,8), les transformateurs (PF=0,8), à l'AC à DC les alimentations en mode de commutation (PF = 0,5 à 0,6), etc. Ces appareils nécessitent la puissance apparente (VA) de la source d'alimentation secteur. La puissance apparente est une somme vectorielle de la puissance active (watts) et la puissance réactive (VAR). *La source d'alimentation CA doit être dimensionné en fonction du plus élevé puissance apparente (VA) et également basé sur le démarrage de puissance contre les surtensions.*

### 2.2 LA FORME D'ONDE D'UNE TENSION DE SORTIE



La Fig. 2.1: Les Formes d'Ondes Sinusoïdales Pures et Modifiées pour 120 VCA, 60 Hz

La forme d'onde de sortie de l'Inverseurs série PST est une onde sinusoïdale pure comme la courbe de puissance Grille utilitaire /. Veuillez voir Sinusoïde représentées dans la Fig. 2.1 Que montre également courbe sinusoïdale modifiée à des fins de comparaison.

Dans l'onde sinusoïdale pure, la tension monte et descend doucement, ainsi que son angle de phase. Sa polarité change dès que ça traverse 0 Volts. En contraste, dans une onde sinusoïdale modifiée, la tension monte et descend brusquement, l'angle de phase change brusquement et ça reste à 0 Volts pendant peu de temps avant de changer sa polarité.

## SECTION 2 | Information Générale

Donc, un dispositif qui se sert d'un contrôle de circuit qui est sensible à la phase (pour la tension/contrôle de vitesse) ou qui traverse 0 volts instantanément (pour contrôler le temps) ne va pas marcher avec une tension qui a une forme d'onde sinusoïdale modifiée.

En plus, l'onde sinusoïdale modifiée a une forme carrée, et est comprise d'ondes sinusoïdales multiples, bizarres et harmoniques d'une fréquence fondamentale d'onde sinusoïdale modifiée. Par exemple, une onde sinusoïdale modifiée de 60 Hz est composée d'ondes sinusoïdales avec des fréquences harmoniques de la tierce (180 Hz), la quinte (300 Hz), la septième (420 Hz) et etc. La haute fréquence harmonique d'une onde sinusoïdale modifiée produit le suivant: une haute interférence radio, plus de chauffage dans les charges inductives comme des micro-ondes et dispositifs contrôlés par moteur (p.e. des outils à main, compresseurs d'air/réfrigération, pompes, etc.). Ces hautes fréquences produisent aussi un effet de surcharge dans les condensateurs de basse fréquence parce que la réactance capacitive est diminuée par les hautes fréquences harmoniques. Ces condensateurs sont utilisés dans les lests pour l'allumage fluorescent, pour améliorer le facteur de puissance et, aussi dans les machines asynchrones monophasés comme des condensateurs de démarrages. Donc, des onduleurs à onde modifiée ou carrée fermeront à cause d'une surcharge pendant l'alimentation de ces dispositifs.

### 2.3 AVANTAGES DES ONDULEURS À ONDE SINUSOÏDALE PURE

- La forme d'onde de sortie est une onde sinusoïdale avec très faible distorsion harmonique et d'énergie propre comme utilitaire / Grille fournissait de l'électricité.
- Des charges inductives comme micro-ondes, moteurs, transformateurs etc. marchent plus rapidement, silencieusement et produisent moins de chaleur.
- Plus adapté à l'alimentation des installations d'allumage ayant des condensateurs pour l'amélioration du facteur de puissance et des moteurs monophasés contenant des condensateurs de démarrage.
- Réduise des bruits électriques/audibles dans les ventilateurs, lumières fluorescentes, amplificateurs acoustiques, TVs, télécopieurs, répondeurs, etc.
- Ne contribue pas à la possibilité de faire tomber en panne un ordinateur, à des feuilles mal imprimée, ou à des bogues informatiques.

### 2.4 QUELQUES EXEMPLES DES DISPOSITIFS QUI NE MARCHENT PAS ET À LA FOIS, POURRAIT ÊTRE ENDOMMAGÉ, EN UTILISANT DES ONDES SINUSOÏDALES MODIFIÉES, SONT INDIQUÉS CI-DESSOUS:

- Des imprimantes laser, photocopieurs, et disques magnéto-optiques
- Horloge intégrée dans les dispositifs comme des réveils, radio-réveils, cafetières, machines à pain, magnétoscopes, fours à micro-ondes, etc. ne pourraient pas fonctionner correctement.
- Dispositifs de tension de sortie contrôlée comme des rhéostats, ventilateur de plafond/contrôle de vitesse moteur ne pourraient pas bien fonctionner (variation de lumière ou le contrôle de vitesse ne marchent pas).

## SECTION 2 | Information Générale

- Machine à Coudre avec contrôle de vitesse/ contrôle microprocesseur
- Dispositifs alimentés par l'entrée sans transformateur comme (i) des rasoirs, lampe de poches, veilleuses, détecteurs de fumée (ii) Certains chargeurs de batteries utilisés dans les outils à main électriques. Ils pourraient être endommagés. *Veillez vérifier avec le fabricant si un dispositif est approprié.*
- Des dispositifs utilisant des signaux de fréquence radio qui sont portés par le câblage de distribution CA.
- Des nouveaux poêles contrôlés par microprocesseur ou qui ont des contrôles primaires de brûlage d'huile.
- Des lampes à décharge haute pression comme une lampe aux halogénures métalliques. *Elles pourraient être endommagées. Veillez vérifier avec le fabricant si un modèle est approprié.*
- Quelques lampes fluorescentes/installations de lumière qui ont des condensateurs à amélioration du facteur de puissance. *L'onduleur pourrait se fermer, indiquant une surcharge.*
- Tables de cuisson à induction

### 2.5 PUISSANCE NOMINALE DES ONDULEURS



#### INFO

Pour une bonne compréhension des explications données ci-dessous, s'il vous plaît vous référer aux définitions de réactifs apparentes continues puissances actives / / / Surge, facteur de puissance, et résistives / charges réactives à la section 2.1 sous la rubrique «**DÉFINITIONS**».

La puissance nominale des onduleurs est spécifié comme suit :

- Puissance nominale de fonctionnement continu maximum
- Puissance nominale de surtension pour traiter de fortes, surtension de courte durée nécessaire pendant le démarrage de certaines AC des appareils et des dispositifs.

**Veillez lire les détails de ces deux types de puissance à la section 2.1 dans les "DÉFINITIONS".**



#### INFO

La spécification des fabricants pour la puissance nominale des appareils électroménagers à courant alternatif et les périphériques indique seulement le maximum de puissance nominale à fonctionnement continu. Le haut, surtension de courte durée nécessaire pendant le démarrage de certains types de périphériques spécifiques doit être déterminée par expérimentation réelle ou en vérifiant avec le fabricant. Ce n'est peut-être pas possible dans tous les cas et par conséquent, peut être deviné au mieux, basé sur certaines règles générales de pouce.



## SECTION 2 | Information Générale

Le tableau 2.1 fournit une liste de certains appareils / périphériques commun AC qui exigent de hautes, surtension de courte durée pendant le démarrage. Un "facteur de dimensionnement onduleur" a été recommandé contre chacune, ce qui est un facteur de multiplication pour être appliqués à la puissance nominale de fonctionnement continu maximum (actif Puissance nominale en watts) de l'AC appareil / Appareil pour arriver à la puissance nominale de fonctionnement continu maximum du convertisseur (multiplier la puissance nominale de fonctionnement continu maximum (actif Puissance nominale en watts) de l'appareil périphérique / par facteur de dimensionnement recommandée pour arriver à la puissance nominale de fonctionnement continu maximum du convertisseur.

La TABLE 2.1: LE FACTEUR DE TAILLE Dispositif ou Appareil	Facteur de Taille pour l'Onduleur (Voir remarque 1)
Climatiseur / Réfrigérateur / Congélateur (à Compresseur)	5
Compresseur d'Air	4
Pompe à Puisard / Pompe à Puit / Pompe Sousmersible	3
Lave-Vaisselle / Machine à Laver	3
Micro-onde (quand la puissance de sortie nominale est aussi la puissance de cuisson)	2
Ventilateur d'une Chaudière	3
Moteur Industriel	3
Appareil de Chauffage Portable alimenté par Kerosène / Diesel	3
Scie Circulaire / Touret	3
Ampoules Incandescentes / Halogènes / à Quartz	3
Imprimante Laser / D'autres périphériques à l'aide de réchauffeurs halogène en quartz à infrarouge	4
Appareil à Découpage: sans Amélioration du Facteur de Puissance	2
Stroboscope / Lumières Éclatantes	4 (Voir la Note 2)

### NOTES POUR LE TABLEAU 2.1

1. Multiplier la puissance nominale de fonctionnement continu maximum (actif Puissance nominale en watts) de l'appareil périphérique / par le facteur de dimensionnement recommandée pour arriver à la puissance nominale de fonctionnement continu maximum du convertisseur.
2. Pour l'unité de flash / stroboscopique photographique, la poussée de l'onduleur de puissance doit être > 4 fois le Watt Sec cote / flash stroboscopique photographique unité.

## **SECTION 3 | Réduction de l'Interférence Électro-magnétique (IEM)**

### **3.1 EMI ET CONFORMITÉ FCC**

Ces onduleurs contiennent des dispositifs de commutation internes qui produisent de l'interférence Électromagnétique (IEM). L'IEM n'est pas intentionnelle et peut pas être complètement éliminée. La magnitude de l'IEM est, néanmoins, limitée par la conception d'un circuit aux niveaux acceptables, selon la Section 15B (Classe A) des Standards FCC de l'organisme Nord Américain FCC. Ces limites sont conçues pour fournir une protection raisonnable contre les interférences nuisibles lorsque l'équipement est utilisé dans les affaires/commercial/environnements industriels. Ces onduleurs peuvent conduire et émettre de l'énergie à fréquence radio et, s'ils sont pas installés dans la manière propre (en suivant les consignes du manuel), pourraient causer une interférence néfaste aux communications radios.

### **3.2 RÉDUCTION DES INTERFÉRENCES ÉLECTROMAGNÉTIQUES (EMI) À TRAVERS L'INSTALLATION CORRECTE**

Les effets de l'IEM varient dépendamment de plusieurs facteurs externes comme la proximité de l'onduleur à des dispositifs réceptifs, la qualité du câblage/des câbles, etc. L'IEM grâce à des facteurs externes peut être réduit en suivant les instructions ci-dessous:

- Assurez que l'onduleur est connecté proprement au système de terre du bâtiment ou du véhicule
- Positionnez l'onduleur le plus loin que possible des dispositifs qui sont sensibles à l'IEM
- Il faut que les fils du côté CC, entre la batterie et l'onduleur, soient aussi court que possible.
- Ne Gardez PAS les fils loin les uns à l'autres. Liez les fils ensemble avec une pièce de ruban afin de réduire les inductances et tensions induits. Cela permet de minimiser l'oscillation dans les fils de batterie et d'améliorer la performance et le rendement.
- Protégez les fils du côté CC avec un blindage en métal, ou une feuille/ tresse en cuivre :
  - Utilisez du câble blindé coaxial pour toutes entrée d'antenne (au lieu d'une ligne bifilaire de 300 Ohm)
  - Utilisez du câble blindé de haute qualité pour brancher des dispositifs acoustiques et vidéos les uns à l'autres.
- Réduisez le fonctionnement des autres charges à haute puissance quand vous faites marcher un équipement acoustique/vidéo

## SECTION 4 | Mise sous tension direct/ mode de commutation intégré Alimentation (SMPS)

### 4.1 CARACTÉRISTIQUES DES ALIMENTATIONS EN MODE COMMUTÉ (SMPS)

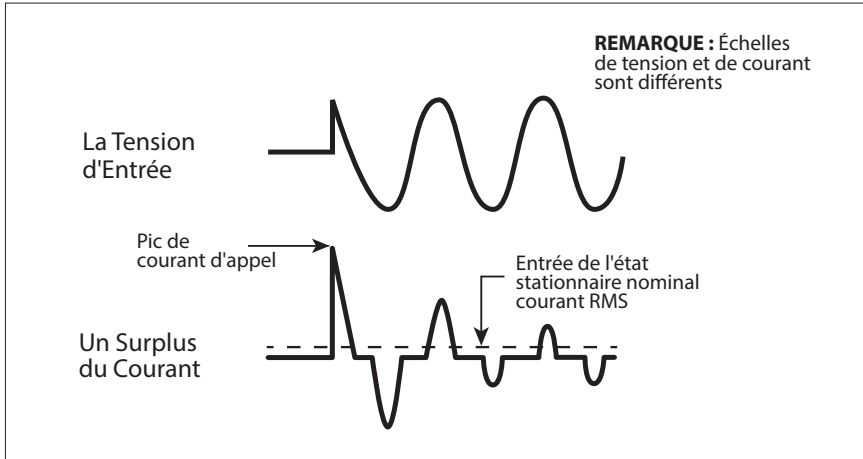
Des alimentations à découpage sont utilisées pour convertir la puissance d'entrée CA à plusieurs tensions comme des valeurs de 3,3V, 5V, 12V, 24V, etc. qui alimentent des dispositifs et circuits divers qui en font parties des équipements électroniques comme des chargeurs de batterie, ordinateurs, dispositifs acoustiques, de vidéo, radios, etc. SMPS utilisent des grands condensateurs dans leur section d'entrée pour la filtration. Quand l'alimentation à découpage est allumée, ses condensateurs tirent un courant fort pour se recharger (les condensateurs agissent comme un courant de court-circuit dès que l'appareil est mis en marche). Au démarrage, le courant tiré est plusieurs fois jusqu'à 10 fois plus fort que le courant d'entrée MQ et dure pour quelques milli-secondes. Un exemple de la tension d'entrée contre la forme d'onde du courant d'entrée est donné dans la Figure 4.1. Le surplus de courant d'entrée initiale (au démarrage) serait > 15 fois le courant de la moyenne quadratique. Le surplus de courant va diminuer en environ 2 à 3 cycles. par exemple, 33 à 50 millisecondes pour une onde sinusoïdale de 60 HZ.

Par ailleurs, grâce à la présence des condensateurs de filtration d'entrée de haute valeur, le courant tiré par l'alimentation à découpage (sans amélioration du facteur de puissance n'est pas sinusoïdale mais plutôt non-linéaire comme montré dans la Figure 4.2. L'état constant du courant d'entrée d'une alimentation à découpage est une suite d'impulsions non-linéaires au lieu d'une onde sinusoïdale. Ces impulsions sont deux à 4 millisecondes durée chaque avec un très haut facteur de crête d'environ 3 (facteur de crête = Valeur de crête ÷ Valeur RMS).

Plusieurs Alimentations à Découpage incorporent une protection de «réduction du surplus de courant». Une méthode commune est la thermistance CTN (Coefficient de Température Négative). La thermistance CTN a une haute résistance quand elle est froide et une faible résistance quand elle est chaude. Elle est mise en série avec l'entrée de l'alimentation à découpage. La résistance froide limite le courant pendant que les condensateurs d'entrée se rechargent. Le courant d'entrée chauffe le CTN et la résistance baisse pendant le fonctionnement normale. Néanmoins, si l'alimentation à découpage est rapidement fermée et puis rallumée, la thermistance serait trop chaude et la résistance serait trop basse pour empêcher un surplus de courant.

L'onduleur devrait, par conséquent, être dimensionné de manière adéquate à supporter le niveau élevé de courant d'appel et le haut facteur de crête du courant consommé par le PGSV. Normalement, les onduleurs ont puissance nominale contre les surtensions de courte durée de 2 fois leur puissance nominale continue maximale. *Par conséquent, il est recommandé qu'aux fins de l'onduleur de dimensionnement pour accommoder un facteur de crête de 3, la puissance nominale continue maximale de l'onduleur doit être > 2 fois la puissance nominale continue maximale des SMPS. Par exemple, un SMPS nominale de 100 watts doit être alimenté à partir d'un onduleur qui a puissance nominale continue maximale de > 200 watts.*

## SECTION 4 | Mise sous tension direct/ mode de commutation intégré Alimentation (SMPS)



La Fig 4.1: Un Surplus de Courant d'une Alimentation à Découpage

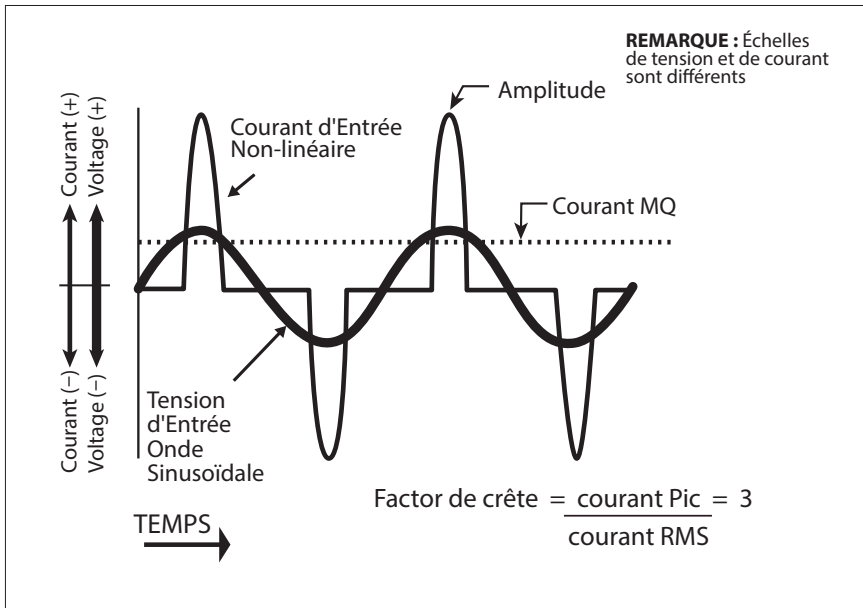


Fig. 4.2: Facteur de Crête élevé du courant pris par l'Alimentation à Découpage

## SECTION 5 | Principes de Fonctionnement

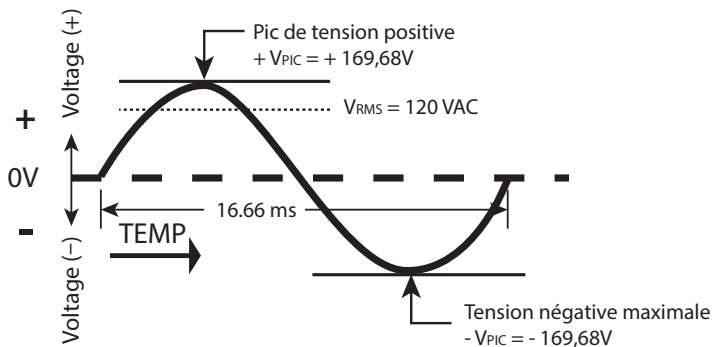
### 5.1 GÉNÉRAL

Ces onduleurs convertissent la tension de batterie CC à une tension CA, et ont une valeur MQ (Moyenne Quadratique) de 120 VCA, 60 Hz MQ.

### 5.2 FORME D'ONDE DE SORTIE D'ONDE SINUSOÏDALE PURE

La courbe de la tension c.a. est une forme d'onde sinusoïdale pure qui est identique à la courbe de grille / utilitaire (information supplémentaire d'alimentation sur courbe sinusoïdale pure et ses avantages sont décrits dans les sections 2.2 à 2.4).

La Figure 5.1. ci-dessous montre le caractéristique spécifique d'une forme d'onde sinusoïdale de 120 VCA, 60 HZ. La valeur instantanée et la polarité de la tension varient dans une manière cyclique, en relation au temps. Par exemple, dans un cycle d'un système de 120 VCA, 60 Hz, ça monte dans la direction positive (0 V est le point de départ) jusqu'au pic «Vpic +» = + 169,68V et puis, descend lentement à 0 V, la polarité devient négative, et monte dans la direction négative jusqu'au pic «Vpic -» = 169,68V et ensuite descend doucement à 0 V. Il y a 60 cycles pareils par seconde. Le nombre de cycles par secondes est aussi appelé la «Fréquence», décrite en «Hertz (HZ)». La période du 1er cycle est 16,66 ms.

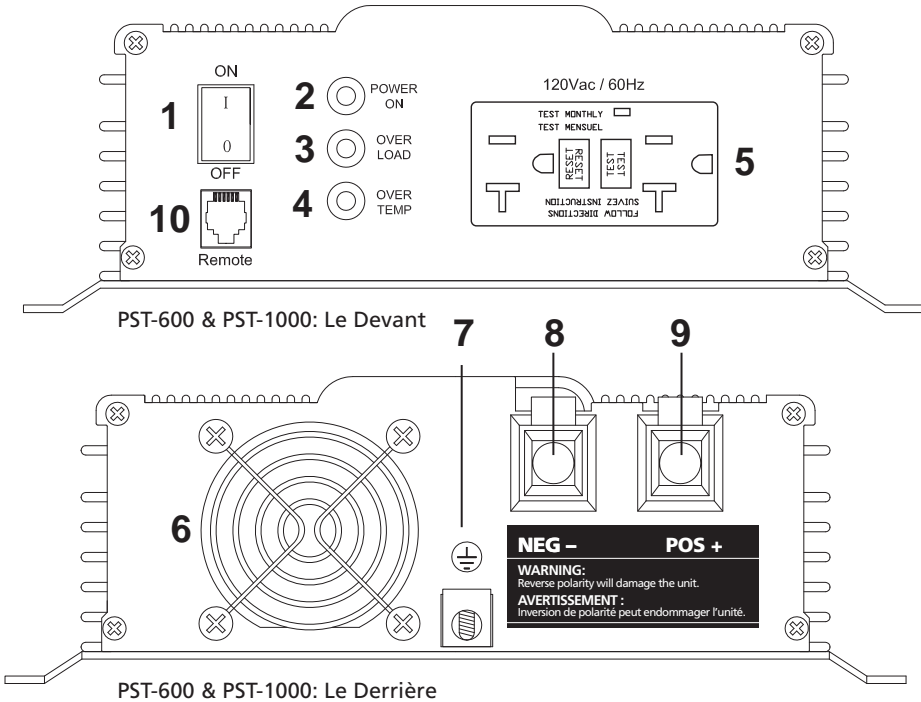


La Fig. 5.1: Une Forme d'Onde Sinusoïdale Pure de 120 VCA, 60 Hz

### 5.3 PRINCIPE DE FONCTIONNEMENT

La conversion de la tension se passe en deux étapes. Pendant la première étape, la tension CC de la batterie est convertie à une forte tension CC en utilisant la commutation à haute fréquence et la Modulation de Largeur d'Impulsions (MLI). Au deuxième étapes, la forte tension CC est convertie à une onde sinusoïdale de 120 VCA, 60 Hz, toujours en employant la technique MLI. C'est une technique spéciale de modification de la forme d'onde où, la forte tension CC est transformée à une haute fréquence et, les impulsions de cette transformation sont modulées à une forme d'onde sinusoïdale.

## SECTION 6 | Disposition



### LA LÉGENDE

1. Interrupteur «ON/OFF»
2. DEL Verte- «POWER» (En Marche)
3. DEL Rouge- «OVERLOAD» (Surcharge)
4. DEL Rouge- «OVER TEMPERATURE» (Surchauffe)
5. NEMA5-20R Duplex DDR
6. Ouverture d'échappement d'air pour le ventilateur de refroidissement (ventilateur est situé derrière cette ouverture)
7. Ergot de Terre
8. Borne d'Entrée CC Négative (-) } La taille du trou: 11 mm / 0,433"
9. Borne d'Entrée CC Positive (+) } avec la vis de réglage M-8
10. Le Jack Modulaire pour la Télécommande, RC-15A
11. Les ouvertures d'aspiration d'air pour le ventilateur (au bas de l'unité - non illustré)

La Fig. 6.1: La Disposition des PST-600 et PST-1000

## SECTION 7 | Informations générales sur les batteries au plomb

### 7.1 GÉNÉRAL



#### INFO

Pour des informations de fond complètes sur les batteries plomb-acide et processus de chargement, veuillez visiter [www.samlexamerica.com](http://www.samlexamerica.com) > supporter > livre blanc > Livre blanc - Les batteries, les chargeurs et les alternateurs.

Les accumulateurs au plomb peuvent être classés selon le type d'application: Entretien automobile - Démarrage / éclairage / allumage (SLI, alias démarrage), et un service de décharge profonde.

Les accumulateurs au plomb à décharge profonde de capacité approprié, sont recommandés pour alimenter les onduleurs.

### 7.2 LES ACCUMULATEURS AU PLOMB À DÉCHARGE PROFONDE

Les accumulateurs au plomb à décharge profonde sont conçus avec des plaques d'électrodes épaisses pour servir en tant de sources d'énergie primaire, avoir un taux de décharge constant, avoir la capacité d'être profondément déchargée jusqu'à la capacité de 80% et d'accepter plusieurs reprises de recharge. Ils sont commercialisés pour une utilisation dans les véhicules de loisirs (RV), les bateaux et les voiturettes de golf électriques - de sorte qu'ils peuvent être appelés batteries de RV, batteries marines ou batteries de voiturette de golf. Utilisez des batteries à décharge profonde pour alimenter ces onduleurs.

### 7.3 CAPACITÉ NOMINALE SPÉCIFIÉE EN AMPÈRES-HEURES (Ah)

La capacité de la batterie "C" est spécifiée en ampères-heures (Ah). Un ampère est l'unité de mesure pour le courant électrique et est défini comme une charge de Coulomb passant par un conducteur électrique en une seconde. La capacité «C» en Ah ce tient à la capacité de la batterie de fournir une valeur spécifiée constante de courant de décharge (aussi appelé "C-Rate" - Voir Section 7.6) pendant un temps déterminé en heures avant que la batterie atteigne un borne de tension spécifiée déchargée (également appelé «Tension Finale») à une température spécifiée des électrolytes. À titre de référence, l'industrie automobile classe les batteries automobile à un courant de décharge ou C-Taux de C / 20 ampères correspondant à la période de décharge de 20 heures. La capacité nominale "C" en Ah dans ce cas sera le nombre d'ampères de courant que la batterie peut fournir pendant 20 heures à 80 ° F (26,7°C) jusqu'à la tension tombe à 1,75 V / Cell. C'est à dire 10,5 V pour la batterie 12V, 21V pour batterie 24V et 42V pour une batterie 48V. Par exemple, une batterie de 100 Ah livrera 5A pendant 20 heures.

### 7.4 CAPACITÉ NOMINALE SPÉCIFIÉES EN CAPACITÉS DE RESERVE (RC)

La capacité de la batterie peut également être exprimée en capacité de réserve (RC) en quelques minutes généralement pour les batteries d'automobiles SLI (Démarrage, éclairage et allumage). Celle-ci est le temps en minutes qu'un véhicule peut être conduit après que le système de charge s'échoue. Celle-ci est à peu près équivalente aux conditions

## SECTION 7 | Informations générales sur les batteries au plomb

après que l'alternateur s'échoue lorsque le véhicule est conduit dans la nuit avec les phares allumés. La batterie seule doit alimenter le courant aux phares et au système informatique / allumage. La charge de la batterie préjugée est un courant de décharge constant de 25A.

La capacité de réserve est le temps en minutes pendant laquelle la batterie peut fournir 25 ampères à 80 ° F (26,7°C) jusqu'à la tension tombe à 1,75 V / cellule-à-dire 10,5 V pour batterie 12V, 21V pour batterie 24V et 42V pour 48V batterie. Relation approximative entre les deux unités est:

$$\text{Capacité "C" en Ah} = \text{Capacité de réserve en minutes RC} \times 0,6$$

### 7.5 TAILLES DE BATTERIE COURANTES

Tableau 7,1 ci-dessous montre les détails de certaines tailles de batterie courantes:

TABLEAU 7,1 TAILLES DE BATTERIE COURANTES:		
Groupe BCI*	Tension de la Batterie, V	Capacité de la Batterie, Ah
27 / 31	12	105
4D	12	160
8D	12	225
GC2**	6	220

\* Conseil international de la batterie; \*\* Voiturette De Golf

### 7.6 SPÉCIFICATION DE CHARGE / COURANT DE DÉCHARGE: TAUX-C

L'énergie électrique est conservé dans une cellule / batterie sous forme de courant continu (CC). La valeur de l'énergie conservée est liée à la quantité de matières actives collées sur les plaques de la batterie, la surface des plaques et la quantité d'électrolyte recouvrant les plaques. Ainsi ci-dessus, la quantité d'énergie électrique conservée est aussi appelée la capacité de la batterie et est désigné par le symbole "C".

Le temps en heures dont la batterie est déchargée au point «Tension Finale» a fins de préciser la capacité Ah dépend du type d'application. Notons ce temps de décharge en heures par "T". Notons le courant de décharge de la batterie comme le «C-Taux». Si la batterie délivre un courant très élevé de décharge, la batterie sera déchargée au point «Tension Finale» dans un courte période. D'autre part, si la batterie fournit un courant de décharge inférieure, la batterie sera déchargée au point «Tension Finale» après une période de temps plus longue. Mathématiques: **ÉQUATION 1: Courant de décharge "C-Taux" = Capacité "C" en Ah ÷ décharge Temps "T"**

Tableau 7.2 ci-dessous donne quelques exemples de spécifications et applications du C-Taux:

TABLEAU 7.2: TAUX DE COURANT DE DECHARGE - " C-Taux "		
Heures de temps de décharge "T" jusqu'à ce qu'au point "Tension Finale"	"C-Taux" décharge en ampères = Capacité "C" en Ah ÷ Temps de décharge "T" en heures.	Exemple de C-Taux courant de décharge pour la batteries 100Ah
0,5 Hrs.	2C	200A
1 Hrs.	1C	100A
5 Hrs. (L'application de l'onduleur)	C/5 or 0,2C	20A



## SECTION 7 | Informations générales sur les batteries au plomb

8 Hrs. (Application UPS)	C/8 or 0,125C	12,5A
10 Hrs. (Application Telecom)	C/10 or 0,1C	10A
20 Hrs. (Application Automotive)	C/20 or 0,05C	5A
100 Hrs.	C/100 or 0,01C	1A

**REMARQUE:** Lorsque la batterie est déchargée sur une période plus courte, son intensité de décharge spécifiée "C-Taux" sera plus élevée. Par exemple, le courant de décharge "C-Taux" sur une période de décharge de 5 heures c'est à dire C / 5 ampères sera quatre fois plus élevé que le courant de décharge "C-Taux" sur une période de décharge de 20 heures c'est à dire C / 20 ampères.

### 7.7 CHARGEMENT / DÉCHARGEMENT DE COURBES

Figure 7.1 présente les caractéristiques de charge et de décharge d'une batterie au plomb typique 12V / 24V d'acide à température d'électrolyte de 80 ° F / 26,7 ° C. Les courbes montrent le % de l'état de charge (l'axe X) par rapport à la tension aux bornes (l'axe Y) pendant le chargement et le déchargement à différents C-taux. Noter que l'axe X montre le % d'état de charge. L'état de décharge sera = 100% - % l'état de charge. Ces courbes seront mentionnées dans les explications suivantes.

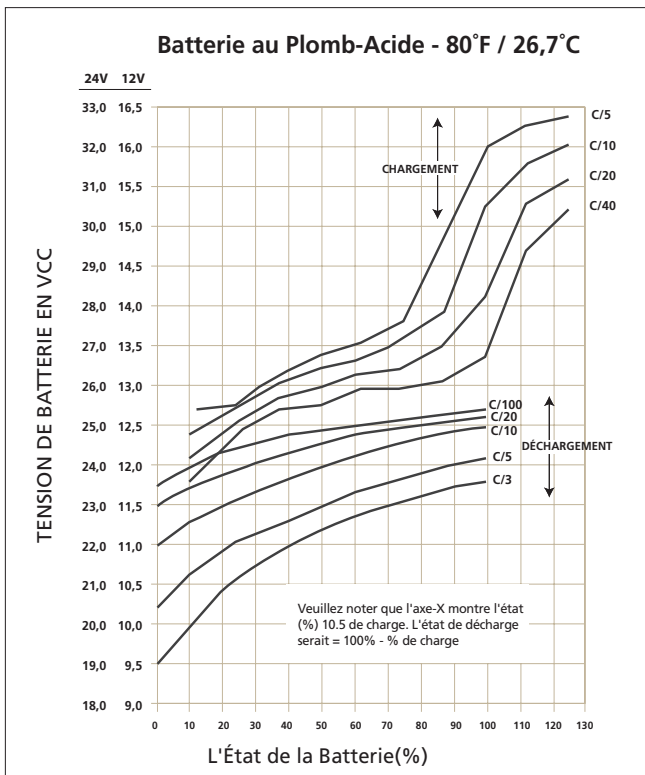


Figure. 7.1: Courbe de chargement / déchargement pour Les accumulateurs au plomb

## SECTION 7 | Informations générales sur les batteries au plomb

### 7.8 RÉDUCTION DE LA CAPACITÉ UTILISABLE À UN TAUX PLUS ÉLEVÉS DE LA SORTIE - TYPIQUE DANS L'APPLICATION DE L'ONDULEUR

Comme indiqué ci-dessus, la capacité de la batterie de l'automobile est normalement applicable à un taux de décharge de 20 heures. Puisque le taux de décharge est augmenté comme dans les cas où les onduleurs conduisent une charge de plus grande capacité, la capacité utilisable réduit en raison de " Effet Peukert ". Cette relation n'est pas linéaire mais est plus ou moins selon le tableau 7.3.

TABLEAU 7,3 CAPACITES DE BATTERIE CONTRE TAUX DE DECHARGE - C-TAUX	
C-Taux Décharge de Courant	Capacité usable (%)
C/20	100%
C/10	87%
C/8	83%
C/6	75%
C/5	70%
C/3	60%
C/2	50%
1C	40%

Tableau 7,3 montre qu'une batterie de capacité 100 Ah livrera 100% (c.-à-d. complète 100 Ah) de capacité si elle est lentement vidée pour 20 heures au taux de 5 ampères (50W de sortie pour un onduleur de 12V et une sortie de 100W pour un onduleur de 24V). Toutefois, si elle est vidée à un taux de 50 ampères (500W de sortie pour un onduleur de 12V et une sortie de 1000W pour un onduleur de 24V) théoriquement, il devrait fournir  $100 \text{ Ah} \div 50 = 2$  heures. Toutefois, le tableau 7,3 montre que pour 2 heures Taux de décharge, la capacité est réduite à 50 % c'est-à-dire 50 Ah. Par conséquent, à un taux de 50 ampères de décharge (500 W de sortie pour un onduleur de 12V et 1000 W de sortie pour un onduleur de 24 V) de la batterie se fait durer pendant  $50 \text{ Ah} \div 50 \text{ ampères} = 1$  heure.

### 7.9 ÉTAT DE CHARGE (SOC) D'UNE BATTERIE - BASÉ SUR "TENSION STATIONNAIRE"

La "tension stationnaire" d'une batterie dans des conditions de circuit ouvert (pas de connexion de charge) peut approximativement indiquer l'état de charge (SOC) de la batterie. La "tension stationnaire" est mesurée après avoir déconnecté toute appareil (s) de charge et la charge de la batterie (s) et laisser la batterie se "reposer" pendant 3-8 heures avant que la mesure de tension est prise. Le tableau 7.4 indique l'état de charge par rapport à la Tension permanente à un standard 12V/24V Système de batterie à 80 °F (26,7 °C).

## SECTION 7 | Informations générales sur les batteries au plomb

Pourcentage de Charge Complete	Tension Stationnaire des cellules individuelles	Tension Stationnaire de Batterie 12V	Tension Stationnaire de Batterie 24V
100%	2,105V	12,63V	25,26V
90%	2,10V	12,6V	25,20V
80%	2,08V	12,5V	25,00V
70%	2,05V	12,3V	24,60V
60%	2,03V	12,2V	24,40V
50%	2,02V	12,1V	24,20V
40%	2,00V	12,0V	24,00V
Continué...			
30%	1,97V	11,8V	23,60V
20%	1,95V	11,7V	23,40V
10%	1,93V	11,6V	23,20V
0%	= / < 1,93V	= / < 11,6V	= / < 23,20V

Vérifiez la tension des éléments individuels / gravité spécifique. Si la différence entre la tension de cellule est supérieure à une 0,2V, ou la différence de gravité spécifique est 0,015 ou plus, les cellules nécessiteront une égalisation. **Noter que seules les batteries non scellées / ventilé / inondées / humides cellulaires sont égalisées. Ne pas égaliser scellées / VRLA type AGM ou batterie cellule Gel.**

### 7.10 ÉTAT DE DÉCHARGE D'UNE BATTERIE CHARGÉE - BATTERIE FAIBLE / ALARME DE TENSION D'ENTRÉE CC ET ARRÊT DES ONDULEURS

La plupart du matériel de l'onduleur estime l'état de décharge de la batterie chargée en mesurant la tension aux bornes d'entrée CC de l'onduleur (en considérant que les câbles d'entrée CC sont suffisamment épaisse pour permettre une chute de tension négligeable entre la batterie et l'onduleur).

Les onduleurs sont fournis avec un avertisseur sonore pour avertir que la batterie chargée a été complètement déchargée à environ 80% de la capacité nominale. **Normalement, l'alarme de l'avertisseur sonore est déclenchée lorsque la tension aux bornes d'entrée CC de l'onduleur tombe à environ 10,5 V pour une batterie 12V ou 21V pour batterie 24V au C-Taux courant de décharge de C/5 ampères et une température d'électrolyte de 80 °F.** L'onduleur s'arrête si la tension aux bornes décharge à un courant de C/5 excède 10V pour batterie 12V (20V pour batterie 24V).

L'état de décharge d'une batterie est estimé en fonction de la tension mesurée aux bornes de la batterie. La tension aux bornes de la batterie dépend de ce qui suit:

- **Température de l'électrolyte de la batterie:** La température de l'électrolyte affecte les réactions électrochimiques à l'intérieur de la batterie et produit une tension négative. Coefficient - pendant la charge / décharge, la tension aux bornes diminue avec l'élévation de la température et augmente avec l'abaissement de la température

## SECTION 7 | Informations générales sur les batteries au plomb

- **La quantité de courant de décharge ou "C-Taux":** Une batterie à une résistance interne non linéaire et, par conséquent, lors que le courant de décharge augmente, la tension aux bornes de la batterie diminue de manière non linéaire.

Les courbes de décharge de la Fig. 7.1 montrent le % de l'Etat de la charge en fonction de la tension aux bornes d'une batterie typique sous différents courants de charge / décharge, c'est à dire "C-Taux" et une température fixe de 80 °F. (Noter que l'axe X des courbes montre le % de l'état de charge. Le % de l'état de décharge sera 100% -% de l'état de charge).

### 7.11 ALARME DE TENSION D'ENTRÉE CC BAS DANS LES ONDULEURS

Comme précédemment indiqué, l'alarme de l'avertisseur sonore est déclenchée lorsque la tension aux bornes d'entrée CC de l'onduleur tombe à environ 10,5 V pour une batterie 12V (21V pour la batterie 24V) a un courant de décharge C-Taux courant de C / 5 ampères. S'il vous plaît, noter que la tension aux bornes par rapport à un état de décharge particulier diminue avec l'augmentation de la valeur du courant de décharge. Par exemple, la tension aux bornes d'un état de décharge de 80% (état de charge de 20%) pour différents courants de décharge sera tel que donné au tableau 7.5 (reportez-vous à la Fig. 7.1 pour les paramètres et les valeurs indiquées dans le tableau 7.5) :

Décharge de Courant: C-Taux	Tension au Bornes a 80% d'état de décharge (20% SOC)		Tension Finale Lorsque complètement déchargée (0%SOC)	
	12V	24V	12V	24V
C/3 A	10,45V	20,9V	09,50V	19,0V
C/5 A	10,90V	21,8V	10,30V	20,6V
C/10 A	11,95V	23,9V	11,00V	22,0V
C/20 A	11,85V	23,7V	11,50V	23,0V
C/100 A	12,15V	24,3V	11,75V	23,5V

Dans l'exemple donné ci-dessus, la Batterie Faible 10,5V/21,0V / CC alarme d'entrée déclencherait à environ 80% d'état déchargé (20% SOC) lorsque le courant de décharge C-Taux est C/5 ampères. Cependant, pour un courant de décharge C-Taux plus bas de C / 10 ampères et inférieur, la batterie sera presque complètement déchargée lorsque l'alarme se déclenche. **Par conséquent, si le courant de décharge C-taux est inférieur à C / 5 ampères, il est possible que la batterie puisse avoir été complètement déchargée au moment où l'alarme d'entrée bas CC se déclenche.**

### 7.12 ARRÊT DE TENSION BASSE D'ENTRÉE CC DANS LES ONDULEURS

Comme expliqué ci-dessus, dans les environs de 80% d'état de décharge de la batterie, à un courant de décharge C-Taux d'environ C / 5 ampères, l'alarme de faible tension d'entrée CC est sonné à environ 10,5 V pour une batterie 12V (à environ 21V pour batterie 24V) pour avertir l'utilisateur de débrancher la batterie pour éviter de vidé d'avantage la

## SECTION 7 | Informations générales sur les batteries au plomb

batterie. Si la charge n'est pas déconnecté à ce stade, les batteries seront vidées de suite à une tension inférieure et à une condition déchargée complète qui est dangereux pour la batterie et de l'onduleur.

Les onduleurs sont normalement fournis avec une protection pour arrêter la sortie de l'onduleur lorsque la tension CC aux bornes d'entrée de l'onduleur tombe sous le seuil de l'ordre de 10V pour une batterie de 12 V (20 V pour batterie 24V). En se référant aux courbes de décharge dans la figure 7.1, l'état de décharge pour les divers courant de décharge C-Taux pour la tension de la batterie de 10V / 20V est comme suit: (S'il vous plaît noter que l'axe X des courbes montre le % d'état de charge. Le % d'état de décharge sera 100% -% d'État de charge):

- 85% d'état de décharge (15% d'État de charge) au courant très élevé de décharge C-taux de C / 3 ampères.
- 100% d'état de décharge (0% d'État de charge) au courant haut de décharge C-taux de C / 5 ampères.
- 100% déchargée (0% d'État de charge) au courant bas de décharge C-taux de C / 10 ampères.

Notamment, à une tension d'entrée CC de 10 V / 20 V, la batterie est complètement déchargée pour un courant de décharge C-taux de C / 5 et inférieur.

***Etant donné ce qui précède, on peut dire qu'une alarme de tension d'entrée CC bas fixe n'est pas utile.*** La température de la batterie complique davantage la situation. Toutes les analyses ci-dessus sont basées sur la température de l'électrolyte de la batterie à 80 ° F. La capacité de la batterie varie avec la température. La capacité de la batterie est également une fonction de l'âge et des rapports de charge. Les batteries anciennes ont une capacité inférieure en raison d'élimination de matières actives, sulfatation, la corrosion, le nombre de cycles de charge / décharge, etc. Par conséquent, l'État de décharge d'une batterie en charge ne peut pas être estimé avec précision croissante. Cependant, l'alarme de la tension d'entrée faible du CC et la fonction d'arrêt sont conçus pour protéger l'onduleur du courant excessif établi à la tension inférieure.

### 7.13 L'UTILISATION D'UNE BASSE TENSION DÉTACHABLE PROGRAMMABLE ET EXTERNE

L'ambiguïté ci-dessus peut être retirée à l'aide d'une basse tension détachable et programmable externe où un seuil de tension plus exacte peut être réglé pour débrancher la batterie en fonction des besoins de leur application. S'il vous plaît envisager d'utiliser les modèles suivants de coupure des batteries faible programmable / "Protection de batterie" modèle fabriqués par Samlex America, Inc. [www.samlexamerica.com](http://www.samlexamerica.com)

- BG-40 (40A) - Pour un maximum de 400W, onduleur 12V ou 800W, onduleur 24V
- BG-60 (60A) - Pour un maximum de 600W, onduleur 12V ou 1200W, onduleur 24V
- BG-200 (200A) - Pour un maximum de 2000W, onduleur 12V ou 4000W, onduleur 24V

## SECTION 7 | Informations générales sur les batteries au plomb

### 7.14 PROFONDEUR DE DÉCHARGE DE LA LONGÉVITÉ DE VIE DE LA BATTERIE

Le plus profondément une batterie est déchargée à chaque cycle, le plus court la durée de vie de la batterie. Utilisant plusieurs batteries que le minimum requis entrainera plus la vie du réservoir de la batterie. Un tableau typique du cycle de vie est donné dans le tableau 7.6 :

Profondeur de décharge % De Capacité Ah	Cycle de Vie du groupe 27 /31	Cycle de Vie du groupe 8D	Cycle de Vie du groupe GC2
10	1000	1500	3800
50	320	480	1100
80	200	300	675
100	150	225	550

**NOTE:** Il est recommandé que la profondeur de décharge doive être limitée à 50%.

### 7.15 CONNEXION EN SÉRIE ET EN PARALLÈLE DES BATTERIES

#### 7.15.1 Connexion en série

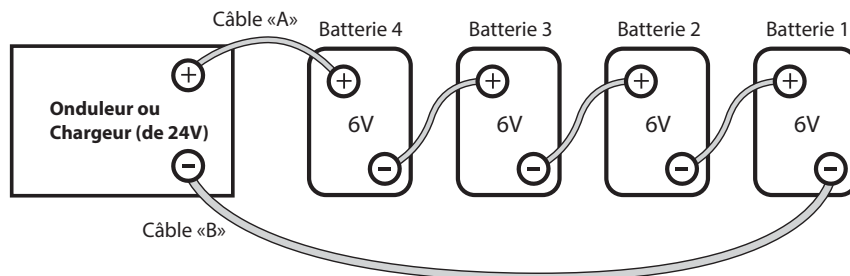


Figure 7.2: Connexion en série

Lorsque deux ou plusieurs batteries sont connectées en série, leurs tensions s'additionnent, mais leur capacité en Ah ne change pas. Figure. 7.2 montre quatre morceaux de 6V, batteries 200 Ah connectés en série pour former une banque de la batterie de 24V avec une capacité de 200 Ah. La borne positive de la batterie 4 devient la borne positive de la banque 24V. La borne négative de la batterie 4 est reliée à la borne positive de la batterie 3. La borne négative de la batterie 3 est reliée à la borne positive de la batterie 2. La borne négative de la batterie 2 est reliée à la borne positive de la batterie 1. La borne négative de la batterie 1 devient la borne négative de la banque de la batterie 24V.

## SECTION 7 | Informations générales sur les batteries au plomb

### 7.15.2 Connexion parallèle

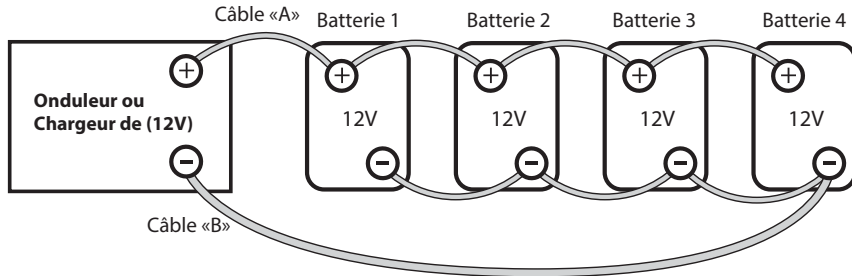


Figure 7.3: Connexion parallèle

Lorsque deux ou plusieurs batteries sont connectées en parallèle leurs tension ne change pas mais leurs capacités Ah s'additionnent. Figure 7.3 montre quatre morceaux de 12V, batteries 100 Ah connectées en parallèle pour former une banque de batterie de 12V avec une capacité de 400 Ah. Les quatre bornes positives des batteries 1-4 sont mises en parallèle (reliés entre eux) et cette liaison positive devient la borne positive de la banque 12V. De même, les quatre terminaux négatifs des batteries 1-4 sont mis en parallèle (reliés entre eux) et cette terminaison négative devient la borne négative de la banque de la batterie 12V.

### 7.15.3 Série - Connexion parallèle

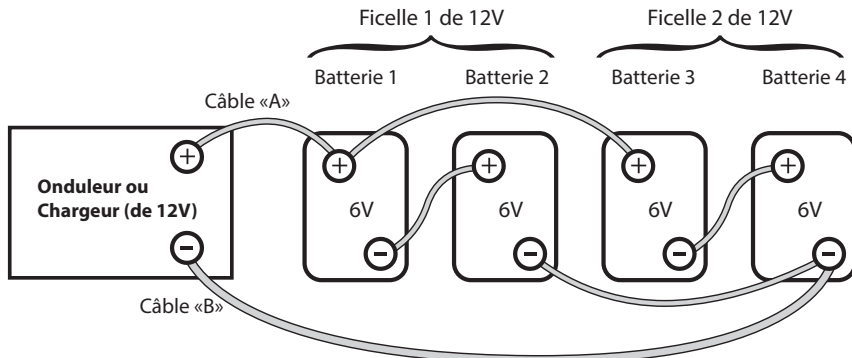


Figure 7.4 : Connexion série-parallèle

Figure 7.4 montre une connexion série - parallèle composé de quatre batteries 6V, 200 AH pour former une banque de batterie de 12V, 400 Ah. Deux batteries 6V, 200 Ah, batteries 1 et 2 sont connectés en série pour former une batterie (Chaîne 1) 12 V, 200 Ah. De même, deux batteries 6V, 200 Ah, Batteries 3 et 4 sont connectés en série pour former une batterie 12 V, 200 Ah (Chaîne 2). Ces deux liaisons 12V, 200 Ah 1 et 2 sont connectés en parallèle pour former une banque 12V, 400 Ah.

## SECTION 7 | Informations générales sur les batteries au plomb



### ATTENTION!

Lorsque deux ou plusieurs batteries / chaîne de batteries sont connectés en parallèle et sont ensuite connectés à un onduleur ou un chargeur (voir les figures 7.3 et 7.4), l'attention devrait être accordée à la manière dont le chargeur / onduleur est connecté à la banque de la batterie. S'il vous plaît assurez-vous que si le câble de sortie positive de la batterie / onduleur (câble "A") est relié à la borne positive de la batterie de la première batterie (batterie 1 à la figure 7.3) ou à la borne positive de la batterie de la première chaîne de la batterie (Batterie 1 of String 1 dans la Fig. 7.4), le câble de sortie négative du chargeur de batterie / onduleur (câble "B") doit être connecté au poste négative de la batterie de la dernière batterie (batterie 4 comme dans la figure 7.3) ou à la borne négative de la dernière chaîne de la batterie (batterie 4 de la chaîne Batterie 2 comme dans la Figure 7.4). Cette connexion assure le suivant:

- La résistance des câbles d'interconnexion sera équilibrée.
- Toutes les batteries / chaîne de batteries individuelles verront la même résistance en série.
- Toutes les batteries individuelles seront chargé/ déchargé au même courant de charge et donc, sera chargé au même état au même moment.
- Aucun des batteries verront un état de surcharge.

### 7.16 TAILLER L'ONDULEUR DE LA BANQUE DE BATTERIE

Une des questions les plus fréquemment posées est: «combien de temps durent les batteries ?» Cette question ne peut pas être répondu sans savoir la taille du système de batterie et la charge sur l'onduleur. Couramment, cette question peut être redemande de suite «Combien de temps voulez-vous que votre charge fonctionne ?», Et le calcul puis spécifique peut être effectuée afin de déterminer la taille de la banque de batteries.

Il y a quelques formules de base et des règles d'estimation qui sont utilisés:

1. Puissance Active en watts (W) = Tension en Volts (V) X Courant en ampères (A) x Facteur de Puissance.
2. Pour un onduleur fonctionnant à partir d'un système de batterie 12 V, le courant c.c. approximatif requis à partir de la batteries de 12V est l'AC Alimentation fournie par le convertisseur de la charge en Watts (W) divisé par 10 & pour un onduleur fonctionnant à partir d'un système de batterie 24 V, le courant c.c. approximative requise du 24V piles est l'AC puissance fournie par le convertisseur de la charge en Watts (W) divisé par 20.
3. Énergie requis de la batterie = Courant CC à livrer (A) x temps en heures (H).

La première étape consiste à estimer les watts total (W) CA de charge (s) et pendant combien de temps la charge (s) fonctionnera en heures (H). Les watts CA sont normalement indiqués dans la plaque électrique pour chaque appareil ou équipement. En cas que les watts (W) CA ne sont pas indiqués, formule 1 donnée ci-dessus peut être utilisé pour calculer les watts CA. L'étape suivante consiste à estimer le courant CC en ampères (A) à partir des watts CA selon la formule 2 ci-dessus. Un exemple de ce calcul pour un onduleur de 12 V est donné ci-dessous:



## SECTION 7 | Informations générales sur les batteries au plomb

**Disons que le Watts CA total délivrée par l'onduleur = 1000W.** En utilisant la formule 2 ci-dessus, L'approximatif courant CC à livrer par les batteries 12V =  $1000W \div 10 = 100$  ampères, ou par des batteries 24V =  $1000W \div 20 = 50A$ .

**Ensuite, l'énergie requise par la charge en ampères-heures (Ah) est déterminée.**

Par exemple, si la charge est vu à fonctionner pendant 3 heures, selon la formule 3 ci-dessus, l'énergie devant être livrées par les batteries 12V =  $100 \text{ ampères} \times 3 \text{ heures} = 300$  ampères-heures (Ah), ou par les batteries 24V =  $50A \times 3 \text{ heures} = 150 \text{ Ah}$ .

**Maintenant, la capacité des accumulateurs est déterminée en se basant sur le temps d'exécution et la capacité utilisable.** D'après le tableau 7,3 «CAPACITES DE BATTERIE CONTRE TAUX DE DECHARGE - C-TAUX », la capacité utilisable au taux de décharge de 3 heures est de 60%. Par conséquent, la capacité réelle des batteries 12V de livrer 300 Ah sera égal à:  $300 \text{ Ah} \div 0,6 = 500 \text{ Ah}$ , et la capacité actuelle de la batterie 24V de livrer 150 Ah sera égal à  $150 \text{ Ah} \div 0,6 = 250 \text{ Ah}$ .

**Et enfin, la capacité effective désirée nominale de la batterie est déterminée** en se basant sur le fait que, normalement, seulement 80% de la capacité sera disponible par rapport à la capacité nominale en raison de non disponibilité de fonctionnement idéale et optimale et les conditions de charge. Ainsi, les exigences finales seront égal à:

POUR UNE BATTERIE 12V:

$500 \text{ Ah} \div 0,8 = 625 \text{ Ah}$  (à noter que l'énergie réelle requise par la charge était de 300 Ah).

POUR UNE BATTERIE 24V:

$250 \text{ Ah} \div 0,8 = 312,5 \text{ Ah}$  (Notez que l'énergie réelle requise était de 150 Ah).

On voit de ce qui précède que la capacité nominale finale des batteries est presque deux fois l'énergie requise par la charge en Ah. ***Ainsi, en règle générale, la capacité Ah des batteries doit être deux fois l'énergie requise par la charge en Ah.***

### 7.17 LA CHARGE DES BATTERIES

Les batteries peuvent être chargées en utilisant une bonne qualité de chargeur de batterie alimenté CA ou de sources d'énergie alternatives comme les panneaux solaires, le vent ou les systèmes hydrauliques. Assurez-vous qu'un contrôleur de charge de batterie approprié est utilisé. Il est recommandé que les batteries puissent être chargées à 10% à 13% de leur capacité Ah (capacité Ah basée sur le C-Taux de décharge de 20 h). En outre, pour obtenir des charge complet (retour de capacité de 100%), il est recommandé qu'un Chargeur de 3 étapes peut être utilisé (charge constant de masse Courant suivie par augmentation de tension constant / Charge d'absorption suivie par la tension constante de charge).

Dans l'affaire, cellule humide / batteries inondées sont utilisés, un chargeur de 4 étapes est recommandé (Courant constant Étape de chargement en vrac ► une tension constante Boost / de l'étape d'absorption ► Stade de péréquation à tension constante ► Stade de flottement à tension constante).

## SECTION 8 | Installation



### MISE EN GARDE!

1. Avant de faire une installation, veuillez lire les «Consignes de Sécurité».
2. On recommande que l'installation soit faite par un(e) électricien(ne) CERTIFIÉ(E).
3. Il y a plusieurs consignes trouvées dans ce guide qui ne sont pas toujours applicables si une norme nationale ou locale en prend place, concernant par exemple l'endroit d'installation ou à l'usage de l'appareil. Quelques exemples sont écrites ci-dessous.

### 8.1 LIEU D'INSTALLATION

Veuillez assurer que vous suivez les consignes suivantes:

**Environnement de travail :** utilisation en intérieur.

**Fraîcheur:** La chaleur est néfaste pour l'équipement électronique. Donc, veuillez assurer que l'unité est installée dans un endroit frais qui est à l'abri de la lumière directe du soleil et, est éloignée des autres dispositifs qui produisent de la chaleur.

**Bien aéré:** L'unité est refroidie par la convection et l'air-refroidi forcé grâce à des ventilateurs à température contrôlée (derrière l'ouverture 6, Fig 6.1). Les ventilateurs aspirent l'air frais des admissions d'air sur le devant et le dessous et, expulsent l'air chaud par un échappement près des ventilateurs. Pour éviter une fermeture de l'onduleur à cause d'une surchauffe, ne couvrez pas ces ouvertures ni installez l'unité quelque part où la circulation d'air est limitée. Gardez 25cm d'espace libre (dans tous les sens) autour de l'unité afin d'avoir une aération suffisante. Si elle est installée dans un enclos, des ouvertures doit être fournies pour ne pas bloquer l'admission d'air ni l'échappement de l'onduleur.

**Sec:** Il faut que l'unité soit à l'abri de l'eau, de la condensation ou n'importe quelle liquide qui pourrait la pénétrer ou tomber dessus.

**Propre:** L'endroit doit être à l'abri de la poussière et de la fumée. Assurez qu'il y aucune présence d'insectes ou de rongeurs. Ils pourraient entrer dans l'unité et bloquer les ouvertures de ventilation ou court-circuiter les circuits internes.

**Protection contre risque d'incendie:** L'unité n'a pas de protection ignifuge et devrait pas être placée là où se trouve des liquides inflammables comme l'essence, le propane ou, près d'un compartiment contenant des moteurs alimentés par essence. Gardez pas des matériaux inflammables/combustibles (papier, tissu, plastique, etc.) qui seraient enflammés par la chaleur, des étincelles ou flammes.

**Proximité à la banque de batteries:** Mettez l'unité au plus près possible afin de prévenir une chute de tension excessive dans les câbles de batterie causant une perte de puissance et un moindre rendement. Pourtant, il faut pas l'installer dans le même compartiment que les batteries (inondées, cellules mouillées) ni la montez quelque

## SECTION 8 | Installation

part à l'exposition des vapeurs acides corrosives ou, de gaz inflammable (l'Oxygène et l'Hydrogène sont produits lorsque des batteries sont rechargées). Ces vapeurs pourront corroder et endommager l'unité et, les gaz vont accumuler s'il sont pas ventilés, et pourraient s'enflammer ou s'exploser.

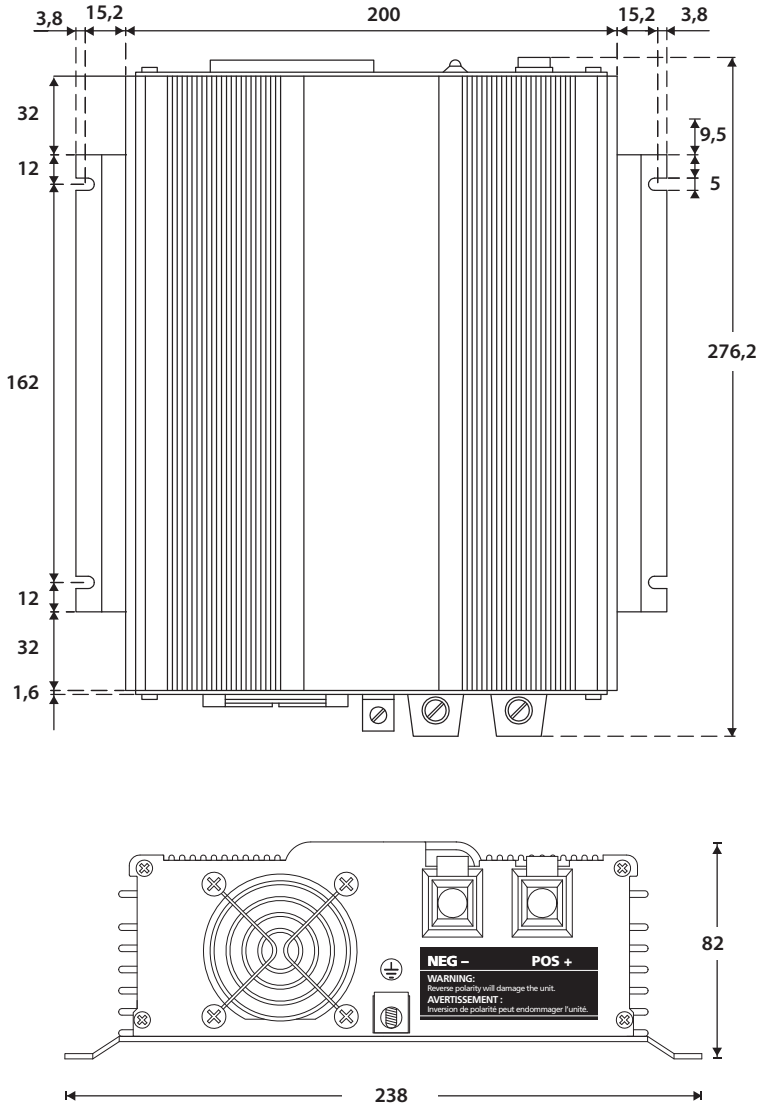
**Accessibilité:** Ne bloquez pas le panneau frontal. Aussi, gardez les réceptacles CA et les connexions/bornes de câblage CC bien dégagées, il va falloir les inspecter ou serrer de temps en temps.

**Prévention de l'Interférence de Fréquence Radio (IFR):** Cette unité se sert des circuits de commutation à haute puissance qui génèrent de l'IFR. Ceci est limité en fonction des normes requises. Situez des équipements électroniques susceptibles à IFR au plus loin possible de l'onduleur. Pour en savoir plus, lisez la Section 3 «Réduction d'Interférence Électro Magnétique (IEM)».

## SECTION 8 | Installation

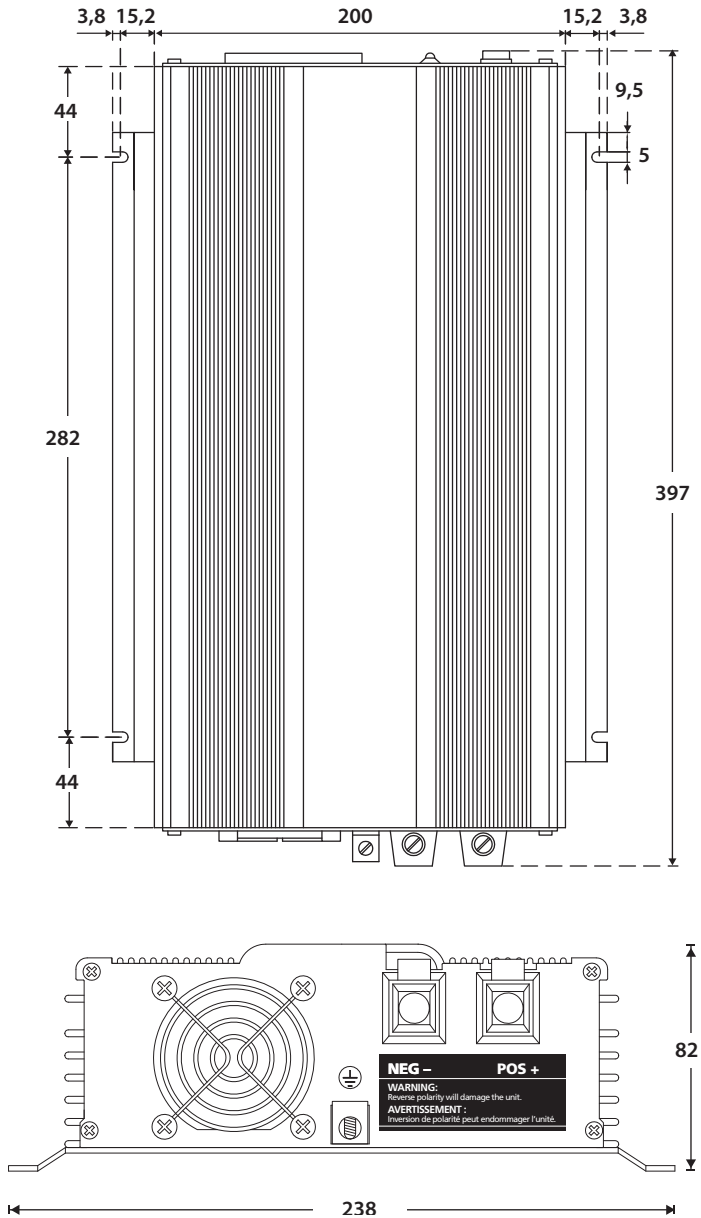
### 8.2 DIMENSIONS GÉNÉRALES

Les dimensions et la localisation des rainures de montage sont montrées dans les Fig. 8.1.1 (en-dessous) et 8.1.2:



La Fig. 8.1.1: Les Dimensions Générales et Rainures de Montages des PST-600-12 et PST-600-24 (NB: Dimensions en mm)

## SECTION 8 | Installation



La Fig. 8.1.2: Les Dimensions Générales et Rainures de Montages des PST-1000-12 et PST-1000-24 (NB: Dimensions en mm)

## SECTION 8 | Installation

### 8.3 ORIENTATION DE MONTAGE

L'unité est équipée avec des admissions d'air et des échappements pour le(s) ventilateur(s) de refroidissement. Il faut que ça soit monté dans une manière appropriée afin d'assurer que des objets ne puissent pas tomber dans les ouvertures, provoquant des dégâts électriques/mécaniques. Prenez-en compte aussi qu'elle devrait pas être montée au-dessus d'une matérielle combustible parce que les composants internes pourraient fondre et tomber de l'unité au-cas où il y un échec catastrophique, engendrant une risque d'incendie. La grosseur des ouvertures est limitée par rapport aux normes de sécurité pour empêcher ces risques quand l'unité est montée dans la façon propre. Le montage doit satisfaire aux exigences suivantes:

- Montez-la sur une surface non-inflammable.
- La surface doit pouvoir supporter les poids de l'unité
- Montez-la horizontalement par-dessus une surface horizontale - qui repose sur une surface horizontale (p.e. sur une table ou étagère). Ou,
- Montez-la horizontalement sur une surface verticale (un mur par exemple) - mais c'est impératif que l'axe du ventilateur soit à l'horizontale (ventilateur à droite ou à gauche).



#### MISE EN GARDE!

Monter l'unité verticalement sur une surface verticale EST INTERDIT (c.a.d. que les ouvertures sont mise sur l'axe vertical). Comme c'est expliqué au-dessus, c'est pour empêcher une chute d'objet dans les ouvertures de ventilateurs (lorsqu'elles sont au-dessus) ou que des composants endommagés tombent par terre (lorsqu'elles sont en-bas).

### 8.4 CONNEXIONS DE CÔTÉ CC

#### 8.4.1 Prévention d'une Surtension de l'Entrée CC

Il faut assurer que la tension d'entrée CC de cet appareil n'excède pas 16,5 VCC pour le système de batterie de 12V ou, 33,0 VCC pour le système de batterie de 24V pour empêcher des dégâts permanents à l'appareil. Veuillez suivre les consignes suivantes:

- Assurer que la tension de chargement maximale du chargeur de batterie externe / alternateur / contrôleur de charge n'excède pas une tension de 16,5 VCC (version 12V) ou, 33,0 VCC (version 24V).
- N'utilisez pas un panneau solaire non-réglé pour recharger une batterie connectée à cet appareil. En-dessous des températures froides ambiantes, la sortie du panneau pourrait atteindre > 22 VCC pour la version de 12 V ou, > 44 VCC pour la version de 24 V. Utilisez toujours un contrôleur de charge entre la batterie et le panneau solaire.

## SECTION 8 | Installation

- Lorsque vous utilisez le mode «Diversion de Charge Contrôlée» pour un contrôleur de charge, la source solaire / éolienne / hydro-électrique est directement branchée à la banque de batteries. Dans ce cas, le contrôleur de charge va diriger le surplus de courant à une charge externe. Pendant le chargement de la batterie, le rapport cyclique à diversion augmentera. Dès que la batterie est complètement chargée, toute l'énergie de la source serait renvoyée vers la charge de diversion s'il n'y a plus d'autres charges. Le contrôleur de charge va déconnecter la charge de diversion si le courant nominale du contrôleur de charge est excédé. Une déconnexion de la charge de diversion pourrait potentiellement endommager la batterie et l'onduleur, ou les autres charges CC connectée à la batterie, à cause de la production de fortes tensions pendant les conditions de vents forts (générateurs éoliennes) ou flux d'eau rapide (générateurs hydro-électriques). Donc, il faut choisir une charge appropriée afin empêcher des conditions de surtension.
- Ne connectez pas l'appareil à un système de batterie avec une tension plus forte que la tension d'entrée de l'appareil (par exemple, connectez pas la version 12V à une batterie de 24V ou, la version 24V à une batterie de 48V).

### 8.4.2. Prévenir la polarité inversée sur le côté d'entrée CC



#### ATTENTION!

Des dommages causés par un inversement des polarités ne sont pas couverts par la garantie! Quand vous faites des connexions à la batterie du côté d'entrée, veuillez assurer que les polarités sont mises du bon côté (Liez le Positif de la batterie à la borne Positive de l'appareil et le Négatif de la batterie à la borne Négative de l'appareil). Si les polarités de l'entrée sont mises à l'envers, le(s) fusible(s) CC dans l'onduleur va/vont s'explorer et pourrait causer des dommages permanents à l'onduleur.

### 8.4.3 La Connexion de Batteries au Côté d'Entrée CC de l'Appareil – Tailles de Câbles et Fusibles Externes



#### ATTENTION!

La section d'entrée de l'onduleur a des condensateurs de grande valeur qui sont connectés aux bornes d'entrée. Tant que le boucle de connexion d'entrée CC (la borne (+) de la batterie ► le fusible externe ► la borne d'entrée positive de EVO ► la borne d'entrée négative de EVO ► la borne (-) de la batterie) est complet, ces condensateurs se mètreront en charge et l'unité tira momentanément un courant très lourd pour charger ces condensateurs qui produiront des étincelles sur le dernier contact de la boucle d'entrée, même lorsque l'appareil est en état de tension. Assurez que le fusible externe est insérer seulement après que toutes les connexions sont faites dans le boucle pour que des étincelles se produisent seulement à l'endroit du fusible.

## SECTION 8 | Installation

Flux du courant dans un conducteur est opposé par la résistance du conducteur. La résistance du conducteur est directement proportionnelle à la longueur du conducteur et inversement proportionnelle à son diamètre (l'épaisseur). La résistance dans un conducteur produit des effets indésirables comme la perte de tension et la surchauffe. La taille (l'épaisseur) des conducteurs est classée par l' AWG (American Wire Gauge). Les conducteurs plus épais que l'AWG # 4 / 0 sont dimensionnés en MCM / kcmil . Tableau 8.1 ci-dessous donne Résistance en Ohm (  $\Omega$  ) par pied à 25 ° C / 77 ° F pour le dimensionnement de fil recommandé pour une utilisation avec cet onduleur.

Table 8.1 Résistance du fils par pied	
TAILLE DE FILS, AWG	RÉSISTANCE EN OHM PAR PIED A 25°C / 77°F
AWG#2	0,000159 $\Omega$ par pied
AWG#1/0	0,000096 $\Omega$ par pied
AWG#2/0	0,000077 $\Omega$ par pied
AWG#4/0	0,000050 $\Omega$ par pied

Les conducteurs sont protégés d'un matériau isolant cotés pour température spécifique par ex. 105 °C/221 °F. Comme le flux de courant génère de la chaleur qui affecte l'isolement, il y a une valeur maximale admissible de courant (appelé "Courant admissible ") pour chaque taille de conducteur en fonction de la température nominale de son isolement. L'isolant des câbles seront également touchés par l'élévation de la température d'exploitation des terminaux à laquelle elles sont connectées. L'intensité admissible des câbles est basé sur UL-458 et le Code électrique national (NEC)-2014. Veuillez voir les détails donnés dans la rubrique "Notes du tableau 8.2".

Le circuit d'entrée CC doit subir à des courants CC forts et ainsi, il faut que la taille des câbles et des connecteurs est sélectionnée pour réduire la perte de tension entre la batterie et l'onduleur. Avec des câbles moins épais et des connexions lâches la performance de l'onduleur est diminuée et en plus, ça pourrait produire une réchauffement anormale qui risque de fondre l'isolation ou commencer un incendie. Normalement, l'épaisseur du câble doit être telle que la chute de tension due au courant et la résistance de la longueur du câble doit être inférieure à 2 % à 5 %. Utilisez des câbles en cuivre multi-brin résistant à qui sont classés au moins à 105°C / 77°F. N'utilisez pas des câbles en aluminium car ils ont une résistance plus haute (par la longueur de l'unité). On peut acheter des câbles aux magasins de fournitures pour marin/soudage. Effets de basse tension sur les charges électriques communs sont donnés ci-dessous :

- **Circuits d'allumage** - Incandescent et Halogène Quartz: Une perte de tension à 5% causera une perte de 10% de la lumière émise. Cet effet est grâce à deux choses, non seulement l'ampoule reçoit moins de puissance mais, aussi le filament refroidi change de la chaleur-blanc à la chaleur-ROUGE, qui émet moins de lumière visible.
- **Circuits d'allumage** - Fluorescent: La perte de tension est presque proportionnelle à la perte de lumière émise.



## SECTION 8 | Installation

- **Moteurs à Induction CA** - Souvent, ils font partie des outils électriques, des dispositifs, pompe à puits, etc. Au démarrage, ils exigent une surcharge de puissance. Si la tension baisse trop, ils pourraient pas marcher et même seront endommagés.
- **Circuits de recharge d'une batterie PV** - La perte de tension pourrait causer une perte de puissance disproportionnée. Par exemple, une perte de tension à 5% peut réduire le courant de charge par un pourcentage beaucoup plus grande que 5%.

### 8.4.4 Protection de Fusible dans le Circuit de Batterie

Une batterie est une source illimitée de courant. Lors de court-circuits, une batterie pourrait fournir des milliers d'Ampères de courant. S'il y a un court-circuit sur la longueur des câbles connectant la batterie à l'onduleur, des milliers d'Ampères de courant seraient produits. Le câble serait en surchauffe, l'isolation fondrait, et finirait par briser. Cette interruption de courant fort va produire une haute température qui peut être dangereuse, ainsi qu'un arc électrique très puissant accompagné d'une vague de forte pression qui pourrait causer un incendie, endommager les objets environnants et occasioner des blessures. Pour prévenir l'apparition de conditions dangereuses dans des conditions de court-circuit, le fusible utilisé dans le circuit de la batterie devrait limiter le courant (qui devrait être " courant Type Limiter " ), souffler dans un temps très court (qui devrait être rapide) et de même , éteindre l'arc d'une manière sûre. A cet effet, le Fusible UL Classe T ou équivalent devraient être utilisés ( Selon la norme UL 248-15 ). Ce courant de but spécial, fusible à action très rapide va souffler en moins de 8 ms dans des conditions de court-circuit. Capacités appropriées de la classe T fusible ci-dessus ou équivalent devraient être installés dans les 7 " de la batterie Plus ( + ) Terminal ( S'il vous plaît voir le tableau 8,2 pour les fusibles ). Noté Marin batterie fusibles, série MRBF -xxx faite par Cooper Bussmann peut également être utilisé. Ces fusibles conformes à la norme ISO 8820-6 pour les véhicules routiers.



#### **MISE EN GARDE!**

Il est obligatoire d'utiliser un fusible de la bonne taille (comme décrits au-dessus), afin de réduire le risque d'incendie à cause d'un court-circuit accidentale des fils de batterie. S'il vous plaît noter que les fusibles internes de côté CC sont conçues pour protéger les composants internes de l'onduleur contre les surcharges de côté CC. Ces fusibles vont pas s'exploser s'il y a un court-circuit sur la longueur des câbles connectant la batterie à l'onduleur.

## SECTION 8 | Installation

### 8.4.5 Tailles recommandées des câbles de batterie et fusibles

Les tailles des câbles et des fusibles sont présentées dans le tableau 8,2. Le calibrage est fondée sur des considérations de sécurité spécifiées dans UL -458 , NEC - 2014 et ISO - 10133 . S'il vous plaît se référer à " Remarques pour le tableau 8,2 " pour plus de détails.

Tableau 8,2 Dimensionnement des câbles de batterie et fusible de côté de batterie externe Recommandé							
Modèle No.  (1)	Courant d'entrée maximal CC continu (voir note 1)  (2)	Ampacité minimum de câble selon NEC (voir note 2)  (3)	Fusible externe Batterie (Basé sur la colonne 2 ) (voir note 3)  (4)	La taille minimale du câble (voir note 4)			N ° de pièce recommandé trousse d'installation d'onduleur Samlex Amérique (voir note 5)  (8)
				3 ft / 0.91M  (5)	6 ft / 1.83M  (6)	10 ft / 3.05M  (7)	
PST-600-12	80A	100A	80A	AWG#6	AWG#4	AWG#2	Trousse CC-1000
PST-600-24	40A	50A	40A	AWG#10	AWG#10	AWG#6	Trousse CC-1000
PST-1000-12	160A	200A	160A	AWG#2	AWG#1/0	AWG#3/0	Trousse CC-2000
PST-1000-24	80A	100A	80A	AWG#6	AWG#6	AWG#4	Trousse CC-1000

#### NOTES POUR LA TABLE 8,2

- 1) La colonne 2 indique le courant d'entrée nominale continue CC tirée de la batterie.
- 2) La colonne 3 indique minimum pour le dimensionnement de l'intensité admissible NEC de conducteurs. NEC Ampacity is not less than 125% of the rated continuous DC input current (Column 2) - Refer to NEC-2014 (National Electrical Code) - Section 215.2(A)(1)(a) for Feeder Circuits.
- 3) Colonne (4) indique la taille du fusible externe dans le circuit de la batterie. Il est obligatoire d'installer ce fusible dans les 7 " de la borne positive de la batterie pour protéger les câbles de batterie contre les courts-circuits. Amp du fusible est basé sur les considérations suivantes:
  - a) pas moins que le maximum du courant continu d'entrée CC (colonne 2 )
  - b) Le standard de fusible en Ampère le plus proche a été utilisé - Reportez-vous à NEC – 2014 (Code Electrique National) - Section 240,6 ( A )
  - c) Lorsque la norme de Fusible ne correspond pas à la Ampacité nécessaire ( colonne 2 ) , le Standard du fusible suivant a été utilisé - Reportez-vous à NEC - 2014 (Code Electrique National) - article 240,4 ( B )
  - d) **Type de fusible** : action rapide , limitation de courant , UL Classe T ( norme UL 248-15 ) ou équivalent

## SECTION 8 | Installation

- 4) Colonnes 5 à 7 indiquent une dimension du conducteur minimum. Qu'est basée sur les éléments suivants 2 considérations. **Les conducteur plus épais sur les considérations suivantes on été choisi:**
- a) Selon les lignes directrices de l'ISO 10133 pour 105 °C isolation de câble et câbles à l'air libre. Taille de conducteur est basé sur :
    - (i) NEC Ampacité précisé à la colonne 3,
    - (ii) Le conducteur en cuivre avec température nominale de 105 ° C / 221 F et
    - (iii) La température ambiante de 30 ° C / 86 ° F b)
  - b) Chute de tension à travers la longueur des câbles limités à 2% de 12V / 24V.
    - i) La chute de tension a été calculée en multipliant le courant nominal d'entrée CC (Colonne 2) et la résistance de la longueur totale du conducteur de cuivre **(la longueur totale du conducteur a été prise comme 2 fois la distance de déplacement entre l'unité et la batterie à couvrir 2 longueurs de positif et de conducteurs de câble négatif).**
    - ii) Résistance du câble sont basées sur le Tableau 8,1.
- 5) Samlex America, Inc. donne de 4 modèles de générique / Kits d'installation de convertisseur universel pour couvrir les exigences d'installation d'une large gamme de puissance allant de 600W à 3500W pour 12V inverseurs et de 1200W à 7000W 24V inverseurs. Veuillez noter que le kit d'installation onduleur qui a été recommandée dans la colonne (8) peuvent inclure plus épais Taille de fil / proportionnellement plus grande taille de fusible que celles recommandées dans le tableau 8.2. C'est acceptable.

Fusible dans le circuit de batterie est requis principalement pour la protection contre les courts-circuits dans le câble de batterie s'exécuter. La taille de ce fusible doit être égale ou supérieure à la taille maximale Courant CC en entrée de l'inverseur à la colonne (2). En outre, l'ampérage du fusible utilisé pour protéger un câble de batterie contre court-circuit doit être inférieur au courant admissible du câble de façon à ce que le fusible saute avant l'isolation du câble est endommagé en raison d'une surchauffe en raison d'un courant de défaut supérieur au courant admissible du câble. L Amp de fusibles fournis à cotes les Kits d'installation onduleur sont inférieures à la taille du fil fourni avec le kit.

Les kits sont livrés avec 10ft longueur de câbles à couvrir batterie pour onduleur distance de jusqu'à 10 ft. Si la distance de routage réelle du câble de la batterie de l'onduleur est inférieure à 10ft, veuillez couper la longueur supplémentaire de câbles. Cela entraînera une réduction dans la résistance globale du câble / réduction de chute de tension et, par conséquent, amélioreront l'efficacité de l'onduleur.

### 8.4.6 Connexion d'Entrée CC

Les bornes d'entrée CC pour branchement de la batterie (8 & 9 Fig. 6.1) ont 11 mm / 0,433" un trou cylindrique avec la vis de réglage M-8.

N'inserez PAS le bout torsadé dénudé du câble directement dans le trou tubulaire parce que la vis à pression ne pourrait pas pincer tous les brins, et par conséquent, aura un contact lâche.

## SECTION 8 | Installation

Afin d'assurer une connexion ferme, une paire d'ergots de type broche est incluse:

- PST-600: jusqu'à AWG#2 ou 35 mm<sup>2</sup> (No. de Pièce PTNB 35-20)
- PST-1000: jusqu'à AWG#1/0 ou 50 mm<sup>2</sup> (No. de Pièce PTNB 50-20)

### 8.4.7 Réduction d'Interférence de FR

Veuillez suivre les recommandations écrites à la Section 3 «Réduction d'Interférence Électro-magnétique».

## 8.5 CONNEXIONS DE CÔTÉ CA



### MISE EN GARDE! Empêcher la Sortie CA de Se Mettre en Parallèle

1. La sortie CA de l'appareil ne peut pas être synchronisée avec une autre source CA et ainsi, ce n'est pas approprié de la mettre en parallèle. La sortie CA de l'appareil devrait jamais être directement branchée à un tableau électrique qui est aussi alimenté par la puissance d'un service public / générateur. Une connexion pareille pourrait résulter dans un fonctionnement en parallèle de ces sources de puissance diverses et, la puissance CA produite par le service public / générateur serait alimentée à l'appareil causant des dégâts à la section de sortie, engendrant une risque d'incendie ou de faire mal. Si tableau électrique est alimenté par l'appareil et une puissance provenant des autres sources CA est requise, la puissance CA venant de toutes les sources comme le service public / générateur / l'onduleur devrait être alimentée en premier, à un sélecteur et, la sortie du sélecteur devrait être liée au tableau électrique.
2. Pour empêcher la possibilité que l'onduleur se met en parallèle ou s'endommage sévèrement, n'utilisez pas un câble de raccordement avec un fiche de chaque côté pour brancher la sortie CA de l'onduleur à un réceptacle mural commode dans la maison / VR.

### 8.5.1 Collage du CA de sortie de la position neutre à la masse du châssis

Les fentes de position neutre de la NEMA5-20R Le GFCI Récipients Duplex (5, Fig 6.1) sont intérieurement collée au châssis métallique de l'onduleur.

### 8.5.2 Connexion de Sortie CA à Travers un Dispositif Différentiel à Courant Résiduel (GFCI)

Un chemin électrique involontaire d'une source de courant vers une surface (la terre) s'appelle un défaut d'isolation ou courant résiduel. Un défaut d'isolation existe quand il y a une fuite à la terre. Le chemin qui est pris par le courant est assez important, si votre corps fait partie du chemin, vous pourriez être blessé, brûlé ou même électrocuté (le corps humain sec a une faible résistance d'un K Ohm). Le Dispositif Différentiel à Courant Résiduel (DDR) vous protège contre des décharges électriques en détectant des fuites et ensuite en coupant la source CA.

## SECTION 8 | Installation

La sortie CA de cet onduleur est disponible à travers le NEMA5-20R, réceptacle duplex DDR. La rainure Neutre du réceptacle (rainure rectangulaire plus longue) est liée intérieurement au châssis métallique de l'onduleur.

La rainure Neutre du réceptacle (la rainure rectangulaire plus longue) est liée intérieurement au châssis de l'onduleur.

Une lumière d'indication verte serait allumée si le DDR fonctionne normalement et s'éteindrait si le DDR est déclenché.

Le DDR est fourni avec les boutons suivants:

- **Bouton de Réinitialisation:** Au cas où le DDR est déclenché, on peut le réinitialiser en appuyant sur le «Bouton de Réinitialisation».

**Remarque :** pour le bouton de réinitialisation pour fonctionner, l'onduleur doit être sur l'état de sorte que l'alimentation CA est disponible à l'interne côté ligne du disjoncteur de fuite à la terre

- **Bouton de Test:** Cet bouton est utilisé pour vérifier que l'onduleur fonctionne normalement. Testez l'onduleur périodiquement pour assurer un bon fonctionnement.

Le DDR va déclencher dans les conditions suivantes:

- Fuite ou défaut de masse (fuite de 5 à 6 mA)
- Si le Neutre est lié à la connexion de terre sur le côté de charge du DDR.



### ATTENTION!

1. Ne dirigez pas la sortie du réceptacle DDR à un tableau électrique lorsque le Neutre est lié à la terre. Ça va déclencher le DDR.
2. Si une rallonge est utilisée, veuillez vous assurer que le cordon est mise à la masse à 2 pôles type avec connecteurs NEMA5-20S-15P ou NEMA P plug.

### 8.5.3 Fournir une Réserve de Puissance utilisant un Commutateur de Transfert

Pour cet usage, utilisez un Commutateur dipôle, à double contact comme le Commutateur de Transfert Modèle STS-30 de Samlex America, Inc.. Ce type de Commutateur sera capable de commuter le Chaud et le Neutre et, à la fois va empêcher le déclenchement du DDR (à cause d'une liaison du Neutre et la Terre dans la puissance de réseau public.

- Alimenter la puissance de réseau public et la puissance de l'onduleur aux deux entrées du Relais de Transfert.
- Dirigez la sortie du Commutateur de Transfert à un Sous-Panneau pour alimenter des charges CA qui requièrent une réserve de puissance.
- Ne liez pas le Neutre et la Terre dans le Sous-Panneau.

## SECTION 8 | Installation

- Quand la puissance de réseau publique est disponible, les deux pôles vont connecter le Chaud et le Neutre de la puissance de réseau publique aux Chaud et Neutre dans le Sous-Panneau. Le Neutre du Sous-Panneau serait lié à la Terre (Sol) par moyen du tableau de réseau publique principal. Cars le Neutre de l'onduleur serait isolé du Neutre du réseau publique alors, le Neutre de la sortie du DDR serait pas lié à la Terre (Sol) et le DDR ne déclencherait pas.
- Si la puissance de réseau publique échoue ou est interrompue, le Chaud et le Neutre du DDR seront connectés aux Chaud et Neutre du Sous-Panneau. Car le Neutre n'est pas pas lié à Terre (Sol) dans le Sous-Panneau, le DDR de l'onduleur déclencherà pas.

### 8.6 LIASON DE TERRE AU SOL OU À UN AUTRE CONDUCTEUR DE TERRE

Pour la sécurité, mettez le châssis de l'onduleur à terre (sol) ou autre conducteur de terre désigné (par exemple, pour un VR qui est mobile, le cadre de métal sert normalement aussi comme conducteur de terre négatif CC). L'ergot de terre (7) est compris pour fournir une connexion de terre du châssis de l'onduleur au conducteur approprié.

Pour l'usage d'un onduleur dans un bâtiment, connectez un fil en cuivre à brins isolés d'une taille AWG #8 ou 10mm<sup>2</sup> de la mise à terre jusqu'à la connexion de terre [sol] (la connexion qui est liée à une barre de terre, à une pipe d'eau, ou autre connexion qui est bien liée à la terre [sol]). Les connexions doivent être bien serrées contre le métal nu. Utilisez des rondelles dentellées pour pénétrer la peinture et la corrosion.

Pour l'usage d'un onduleur dans un VR, connectez un fil en cuivre à brins isolés d'une taille AWG #8 ou 10mm<sup>2</sup> de la mise à terre jusqu'au jeu de barres de terre (souvent le châssis du véhicule ou autre jeu de barres CC dédié) Les connexions doivent être bien serrées contre le métal nu. Utilisez des rondelles dentellées pour pénétrer la peinture et la corrosion.

### 8.7 TÉLÉCOMMANDE À DISTANCE RELIÉE PAR FILS (FACULTATIF)

Une Télécommande Reliée par Fils, Modèle RC-15A (avec 5 m de câble) est disponible pour diriger la commutation des états EN MARCHÉ et ARRÊT. Elle est équipée avec affichage ACL qui affiche la tension de sortie CA, A, Hz, W, VA, et Facteur de Puissance. Elle a aussi des lumières d'indication pareilles aux indications du panneau frontal (2, 3, 4 dans la Fig. 6.1, à la page 16). Pour en savoir plus, lisez le guide de la Commande à Distance RC-15A.

## SECTION 9 | Fonctionnement

### 9.1 Mettre l'Onduleur EN MARCHÉ/ARRÊT

Avant de faire fonctionner l'onduleur, vérifiez que toutes les charges soient fermées . L'interrupteur ON/OFF (1) sur le panneau frontal, est utilisé pour faire fonctionner et pour arrêter l'onduleur. L'interrupteur fait marcher un circuit de contrôle à faible puissance qui, à son tour, fait marcher tous les circuits à haute puissance.



#### ATTENTION!

Veillez noter que l'interrupteur ON/OFF ne gère pas le circuit d'entrée de batterie à haute puissance. Certaines parties du circuit de côté CC seraient encore actives même si l'onduleur a été fermé. Alors, il faut déconnecter tous les côtés CC et CA avant de travailler sur n'importe quel circuit connecté à l'onduleur.

Quand l'onduleur est mis en marche, la DEL VERTE «POWER» (2, la Fig. 6.1.) serait allumée. La DEL indique que la section d'entrée de l'onduleur fonctionne normalement, et qu'une tension de sortie CA sera désormais disponible au réceptacle duplex DDR (5). La lumière d'indication verte serait allumée.

Mettez en marche toutes les charges. La DEL VERTE «POWER» et la lumière d'indication verte resteront allumées pendant le fonctionnement normale de la charge.

### 9.2 Faire Marcher les Charges

Quand l'onduleur est mis en marche, il prend un temps infini pour que ça puisse faire marcher des charges. Donc, faites marcher le(s) charge(s) quelques secondes après avoir allumer l'onduleur. Ne faites pas marcher l'onduleur après que la charge soit déjà allumée. Ça pourrait prématurément déclencher la protection de surcharge.

Pour le démarrage, une charge pourrait avoir besoin d'une surtension initiale. Donc s'il y a plusieurs charges à mettre en marche, il faudrait les faire marcher une par une afin de ne pas créer une surcharge de l'onduleur (grâce aux surtensions multiples).

### 9.3 Ventilateurs de Refroidissement à Température Contrôlée

Deux ventilateurs sont contrôlés par thermostat. La température du point chaud dans l'onduleur est surveillée pour déclencher une activation des ventilateurs ou même une fermeture (en cas de surchauffe). Quand la température atteint  $55^{\circ}\text{C} \pm 3^{\circ}\text{C}$ , les ventilateurs se mettent en route. Ils fermeront automatiquement si l'endroit refroidi jusqu'à  $45^{\circ}\text{C} \pm 3^{\circ}\text{C}$  ou moins. Veillez noter que les ventilateurs se mettent pas en route pour des charges faibles ou, si la température ambiante est moins froide. Ceci est normale.

### 9.4 Indications du Fonctionnement Normale

Quand l'onduleur fonctionne normalement et fourni des charges CA, la DEL VERTE «POWER» (2) et la lumière d'indication du DDR seront allumées. *Veillez voir les sections «Protection Contre des Conditions Anormales» et «le Guide de Dépannage» pour les symptômes d'une mauvaise fonctionnement.*

## SECTION 9 | Fonctionnement

### 9.5 Tirage de Courant Sans Charge (Courant au repos)

Quand l'interrupteur est mis à la position marche «ON», tous les circuits dans l'onduleur deviendraient actifs et la sortie CA serait disponible. Dans cette condition, même sans charge (ou, s'il y a une charge connectée non-active), l'onduleur tire un petit courant des batteries pour garder les circuits actifs et pour être prêts à fournir une puissance sur demande. Ceci est appelé «courant au repos» ou «tirage de courant sans charge». Donc, quand la charge est arrêtée, fermez aussi l'onduleur en utilisant l'interrupteur ON/OFF pour empêcher une perte de tension de la batterie.



#### INFO

Si l'onduleur est fermé avec la Télécommande RC-15, quelques circuits resteront actifs et continueront à tirer un faible courant. Afin de prévenir une perte de tension de la batterie, fermez l'onduleur en utilisant l'interrupteur ON/OFF situé sur le devant de l'onduleur.

## SECTION 10 | Protections

### 10. PROTECTIONS

Le convertisseur a été fourni avec des protections détaillées ci-dessous :

#### 10.1 SURTENSION / FERMETURE DE SURCHARGE/ COURT-CIRCUIT



#### INFO

Veillez vous référer aux définitions de la puissance active (watts), la puissance apparente (VA) et du facteur de puissance (PF) à l'article 2.1. Dans l'explication ci-dessous, les valeurs de puissance sont exprimés en puissance apparente en VA. Correspondant la puissance active (Watts, W) qui dépend du type de charge (résistive ou réactive) et son facteur de puissance (facteur de puissance peut varier de 1 à 0,5). S'il vous plaît noter les points suivants:

- Puissance active (Watts) = puissance apparente (VA) x facteur de puissance (PF).
- Pour les charges de type résistif, le facteur de puissance = 1 et, par conséquent, la puissance apparente (VA) = Puissance active (Watts, W)
- Pour les types de charges réactives, le facteur de puissance seront <1 (jusqu'à 0,5) et, par conséquent, La puissance active (Watts, W) sera inférieure à la puissance apparente (VA)

La tension de sortie CA sera fermé en raison de surcharge et de court-circuit des conditions comme suit:



## SECTION 10 | Protections

**Condition de surtension d'alimentation :** orsque le courant de sortie CA tente de dépasser environ 166 % de l'intensité de sortie nominale pour la PST-600 ou, 200 % du courant de sortie nominal pour la PST-1000, limitation de courant de sortie est effectuée instantanément dans la chute résultant en tension de sortie CA (le DROP est proportionnelle à l'impédance de charge). Puissance de surtension de 166 % pour la PST-600 et 200 % pour la PST-1000 sera, par conséquent, être fournis pour  $\approx 8$  ms à chaque demi-cycle. Si cette situation se poursuit pendant 2 à 2,5 s, condition de surcharge est activé.

**Condition de surcharge :** si il y a une surcharge continue de 110 % à 115 % pendant 2 à 3 secondes, la tension de sortie va être arrêté. LED rouge marqué "SURCHARGE" (3, figure 6.1a) se met en marche, la lumière verte sur la prise GFCI sera OFF et l'alarme se déclenchera. La LED verte "POWER" (2, figure 6.1a) continuera d'être éclairée. L'unité sera verrouillé dans cette condition fermé et nécessitera un redémarrage manuel. Pour réinitialiser, éteignez l'appareil en utilisant le 3-Postion " ON / OFF / EXT . Passer " , attendez 3 minutes et puis mettez l' unité de nouveau. Avant d'allumer , déterminez et éliminez la cause de la surcharge .

**Court-circuit :** court-circuit sera détectée lorsque la tension de sortie CA tombe à 80VCA ou inférieur pendant une période allant jusqu'à 2,5 secondes. La tension de sortie CA sera arrêté par la suite.

LED rouge marqué " SURCHARGE " ( 3 , figure 6.1a ) se met en marche , le voyant lumineux vert sur la prise GFCI sera OFF et l'alarme se déclenchera . La LED verte "POWER" ( 2 , figure 6.1 ) continuera d'être éclairée . L'unité sera verrouillée dans cette état fermé et nécessitera un redémarrage manuel. Pour réinitialiser , éteignez l'appareil en utilisant l'interrupteur à 3 positions " ON / OFF / EXT . Switch " , attendez 3 minutes et puis mettez l' appareil sous tension. Avant d'allumer , de déterminer et éliminer la cause de la surcharge .

### 10.2 ALARME DE MISE EN GARDE- FAIBLE TENSION D'ENTRÉE

La tension aux bornes d'entrée CC sera plus faible que la tension aux bornes de batterie à cause d'une chute de tension dans les câbles et connecteurs de batterie. La chute de tension aux bornes d'entrée CC de l'onduleur peut-être à cause d'une faible tension de batterie ou d'une grande chute de tension anormale si les câbles de batterie sont pas assez épais (veuillez vous renseigner à la page 32 "Connexion de la Batteries du coté de l' entrée CC des câbles et des fusibles " . Si la tension aux bornes d'entrées CC tombe en-dessous de  $10.7V \pm 0,1V$  (système de 12V) ou  $21,4V \pm 0,2V$  (système de 24V), l'alarme sonore va sonner. La DEL VERTE «POWER» (2, Fig 6.1a) et la lumière d'indication du DDR seront allumée et la tension de sortie CA serait toujours disponible. Cet Alarme indique que la batterie est presque épuisée et que l'onduleur va bientôt fermer si la tension continue à baisser en-dessous de  $10V \pm 0,1V$  (système de 12V) ou,  $20V \pm 0,2V$  (système de 24V).

## SECTION 10 | Protections

### 10.3 FERMETURE DE FAIBLE TENSION D'ENTRÉE CC

Si la tension aux bornes d'entrée CC tombe en-dessous de  $10V \pm 0.1V$  (système de 12V) ou,  $20V \pm 0,2V$  (système de 24V), la sortie CA se fermerait. L'alarme sonore sonnerait, la DEL VERTE «POWER» (2, Fig 6.1a) resterait allumée et, la lumière d'indication du DDR serait fermées.

L'appareil réinitialisera automatiquement quand la tension d'entrée CC augmente à  $> 11.5V \pm 0,3V$  (version de 12V) ou  $> 23V \pm 0,5V$  (version de 24V).

### 10.4 FERMETURE DE TENSION D'ENTRÉE CC EXCESSIVE

Si la tension aux bornes d'entrée CC monte au-dessus de  $16,5V$  (système de 12V) ou,  $33V$  (système de 24V), l'onduleur se fermerait. L'alarme sonore sonnerait., la DEL VERTE «POWER» (2, Fig 6.1a) resterait allumée et, la lumière d'indication du DDR serait fermées. L'appareil réinitialisera automatiquement quand la tension d'entrée CC descende à  $< 16,5V$  (système de 12V) ou  $< 33V$  (système de 24V).

### 10.5 FERMETURE DE SURCHAUFFE

Au cas où il y a un échec des ventilateurs ou, si l'air chaud ne peut pas être enlevé (à cause de températures ambiantes plus chaudes ou une circulation insuffisante), la température interne va augmenter. Le point chaud dans l'onduleur est surveillé ( Transformateur de puissance T3 ), et à  $90^{\circ}C \pm 5^{\circ}C$ , l'onduleur se fermera. L'alarme sonore sonnera, la DEL VERTE «POWER» (2, Fig 6.1a) restera allumée et la lumière d'indication du DDR sera fermée.

L'appareil se réinitialiserait quand le chaud refroidi jusqu'à  $65^{\circ}C \pm 5^{\circ}F$  ou moins.

### 10.6 DÉFAUT À LA TERRE / PROTECTION DE FUITE

Sortie c.a. (maximum 20 A) est fournie par NEMA5-20R Le GFCI Récipient Duplex (6, fig 6.1a). Le GFCI se déclenche s'il y a de 5 à 6 mA fuite / défaillance de mise à la terre sur le côté charge, ou si le neutre et la terre sont collées sur le côté charge. Lorsqu'il est déclenché, l'indication par LED verte sera coupé. Déposer la cause de déclenchement. Allumer l'onduleur s'éteint, puis appuyez sur le bouton de réinitialisation " " sur le GFCI pour réinitialiser (GFCI ne seront pas réinitialisés si le convertisseur est éteint et il n'y a aucune tension CA sur le côté ligne du disjoncteur de fuite à la terre).

### 10.7 FUSIBLES DU CÔTÉ CC INTERNES

Les fusibles côté CC suivantes ont été fournies pour la protection interne du côté d'entrée CC. Les fusibles sont 32V, les fusibles à lame de type automobile, tapez «ATO» par fusible Littell ou équivalent :

PST-600-12: 2 pièces en parallèle de 40A = 80A en totale

PST-600-24: 2 pièces en parallèle de 20A = 40A en totale

PST-1000-12: 4 pièces en parallèle de 40A = 160A en totale

PST-1000-24: 4 pièces en parallèle de 20A = 80A en totale

## SECTION 10 | Protections

**REMARQUE :** Les fusibles sont installés dans des porte-fusibles. Par conséquent, ils peuvent être retirés et remplacés facilement.

### 10.8 POLARITÉS RENVERSÉES AUX BORNES D'ENTRÉE CC

Le positif de la batterie devrait être lié à la borne d'entrée CC Positive de l'onduleur et le négatif de la batterie devrait être lié à la borne d'entrée CC négative de l'onduleur. Un renversement des polarités (le Positif de la batterie lié à la borne d'entrée CC Négative de l'onduleur et le Négatif de la batterie lié à la borne d'entrée CC Positive de l'onduleur) va exploser les fusibles du côté CC internes/externes. Si le fusible du côté CC est explosé, l'onduleur serait morte. La DEL VERTE «POWER» (2, Fig 6.1a) de l'onduleur et la lumière d'indication VERTE seront éteintes et il n'y aura pas une sortie CA.



#### INFO

Un renversement des polarités va probablement endommager les circuits d'entrée CC. Il faut remplacer le(s) fusible(s) avec un/des fusible(s) d'une taille pareille. Si après l'installation, l'appareil ne marche pas, c'est qu'il soit endommagé en permanence et aura besoin d'une réparation ou un remplacement *(Pour des renseignements supplémentaires, veuillez regarder à la Section 11 - «Guide de Dépannage»).*



#### ATTENTION!

Des dommages causés par un inversement de polarités ne sont pas couverts par la garantie! Quand vous faites des connexions à la batterie du côté d'entrée, veuillez assurer que les polarités sont mises du bon côté (Lié le Positif de la batterie à la borne Positive de l'appareil et le Négatif de la batterie à la borne Négative de l'appareil). Si les polarités de l'entrée sont mises à l'envers, le fusible CC externe du côté d'entrée va s'exploser et pourrait causer des dommages permanents à l'onduleur.

## SECTION 11 | Guide de Dépannage

SYMPTÔME	CAUSE POSSIBLE	REMÈDE
Onduleur en MARCHE, la DEL «POWER» VERTE (2, Fig 6,1a) n'est pas allumée. Alarme sonore est silencieuse, il y a aucune tension de sortie CA. La lumière d'indication du DDR est éteinte	Il n'y a pas de tension aux bornes d'entrée CC	<ul style="list-style-type: none"> <li>• Vérifiez si le circuit d'entrée de la batterie est complet.</li> <li>• Vérifiez que les fusibles de la batterie internes / externes sont intacts . Remplacer si endommager .</li> <li>• Vérifiez que les connexions dans le circuit d'entrée de la batterie soient bien serrées.</li> </ul>
	Les fusibles du côté CC internes/externes sont explosés à cause d'un renversement des polarités d'entrée CC <b>(NB: Des polarités renversées pourront faire des dégâts permanents. Les dommages causés en raison de l'inversion de polarité ne sont pas couverts par la garantie )</b> .	<ul style="list-style-type: none"> <li>• Inspectez les fusibles internes et externes. Les fusibles internes sont peut-être soudés et seront pas forcément facile à remplacer. Remplacez-les. Après, si l'unité marche pas, veuillez contactez le Support Technique (Services en Anglais) pour une réparation</li> </ul>
Faible Tension de sortie CA (Aucune alarme sonore)	<ul style="list-style-type: none"> <li>• Charge en courant alternatif est dépassant 166 % la surcharge de surtension pour PST-600 ou 200 % pour PST-1000</li> <li>• Charger est proche de 166 % la surcharge de surtension pour PST-600 ou 200 % pour PST-1000 pendant l'abaissement de la tension d'entrée CC</li> </ul>	<ul style="list-style-type: none"> <li>• Vérifiez que la batterie soit complètement chargée. Si ce n'est pas, rechargez-la.</li> <li>• Vérifiez que les câbles de batterie soient suffisamment épais pour que le courant puisse parcourir la longueur requise. Sinon, utilisez des câbles qui sont assez épais.</li> <li>• Serrez les connexions du circuit d'entrée de la batterie.</li> <li>• Réduisez la charge</li> </ul>
Tension de sortie CA est disponible.Alarme par buzzer retentit à vide lorsque la charge est allumé. Le voyant vert marqué "POWER" (2, Fig. 6.1a) est allumé. Indicateur lumineux sur le GFCI est vert.	<ul style="list-style-type: none"> <li>• Faible tension d'entrée</li> <li>• CC Alarme tension d'entrée CC est de 10,7 V ou moins mais &gt; 10V ± 0,1V pour la PST-600-12 / PST-1000-12</li> <li>• La tension d'entrée CC est de 21,4 V ± 0,2 V ou inférieur mais &gt; 20 V ± 0,2 V pour PST-600-24 / PST-1000-24</li> </ul>	<ul style="list-style-type: none"> <li>• Vérifiez que la batterie soit complètement chargée. Si ce n'est pas, rechargez-la.</li> <li>• Vérifiez que les câbles de batterie soient suffisamment épais pour que le courant puisse parcourir la longueur requise.Sinon, utilisez des câbles qui sont assez épais.</li> <li>• Serrez les connexions de circuit d'entrée CC.</li> </ul>

## SECTION 11 | Guide de Dépannage

SYMPTÔME	CAUSE POSSIBLE	REMÈDE
Il n'y a pas de tension de sortie CA. Alarme sonore est déclenchée à aucune charge ou lorsque la charge est allumée. Le voyant vert marqué "POWER" (2, Fig. 6.1) est allumée. Témoin vert situé sur le disjoncteur est désactivé.	<ul style="list-style-type: none"> <li>Tension de sortie CA a été arrêté en raison d'une faible tension d'entrée CC</li> <li>DC input voltage is <math>10 \pm 0.1V</math> or lower for PST-600-12 / PST-1000-12</li> <li>La tension d'entrée CC est de <math>20 \pm 0,2 V</math> ou inférieure pour la PST-600-24 / PST-1000-24</li> </ul>	<ul style="list-style-type: none"> <li>Vérifiez que la batterie soit complètement chargée. Si ce n'est pas, rechargez-la.</li> <li>Vérifiez que les câbles de batterie soient suffisamment épais pour que le courant puisse parcourir la longueur requise. Sinon, utilisez des câbles qui sont assez épais.</li> <li>Serrez les connexions de circuit d'entrée CC.</li> <li>La tension de sortie CA se met automatiquement en marche lorsque la tension d'entrée CC s'élève à <math>11,5 V \pm 0,1 V</math> à 12V version et <math>23V \pm 0,2 V</math> à 24V version.</li> </ul>
Il y a aucune tension de sortie CA. La DEL «POWER» VERTE (2, Fig 6,1) est allumée. La lumière d'indication du DDR est éteinte.	<ul style="list-style-type: none"> <li>Arrêt suite à haute tension CC en entrée</li> <li>La tension d'entrée CC est de <math>16,5 V</math> ou plus pour la PST-1000-12 / PST-600-12</li> <li>La tension d'entrée CC est <math>33V</math> ou supérieure pour la PST-600-24 / PST-1000-24</li> </ul>	<ul style="list-style-type: none"> <li>Vérifiez que la tension aux bornes d'entrées CC est moins que <math>16,5V</math> (version de 12V) ou, moins que <math>33V</math> (version de 24V)</li> <li>Assurez que la tension maximale de chargement du chargeur de batterie / alternateur/ contrôleur de charge solaire soit en-dessous de <math>16,5V</math> (version de 12V) ou, moins que <math>33V</math> (version de 24V)</li> <li>Assurez qu'un panneau non-reglé n'est pas utilisé pour recharger la batterie. À des températures ambiantes froides, la sortie du panneau solaire pourrait excéder <math>21V</math> (système de 12V), ou <math>42 V</math> (système de 44V). Utilisez un contrôleur de charge entre le panneau et la batterie.</li> <li>Réarmement automatique lorsque la tension redescend à <math>&lt; 16,5V</math> pour PST-600-12 / PST-1000-12 ou <math>&lt; 33V</math> pour PST-600-24 / PST-1000-24</li> </ul>
La tension de sortie CA est complètement fermée. La DEL «OVERCHARGE» (3, Fig 6,1) ROUGE est allumée. L'alarme sonore sonne. La DEL «POWER» VERTE (2, Fig 6,1) est allumée. La lumière d'indication du DDR est éteinte.	Arrêt définitif de la puissance AC en raison de surcharge continue $> 110\%$ - $115\%$ pour 2 à 3 sec ou due à un court-circuit sur le circuit de charge CA. (tension de sortie CA est $80VCA$ ou moins jusqu'à 2,5 secondes)	<ul style="list-style-type: none"> <li>Réduisez la charge / Retirer le court-circuit .</li> <li>La charge n'est pas approprié parce qu'elle a besoin plus de puissance pour fonctionner. Utilisez un onduleur d'une puissance nominale plus grande.</li> <li>Si l'unité se remet en surcharge après avoir enlever complètement la charge, l'unité est devenue défectueuse. Téléphonnez à Support Technique (Services en Anglais).</li> </ul> <p><b>NB:</b> L'unité serait verouillée dans la condition arrêtée et requira une réinitialisation manuelle. Pour la réinitialisé, mettez l'interrupteur ON/OFF dans la position OFF, attendez 3 minutes et remettez l'appareil en marche. Avant de remettre l'appareil, enlevez la cause de la fermeture.</p>

## SECTION 11 | Guide de Dépannage

SYMPTÔME	CAUSE POSSIBLE	REMÈDE
<p>La tension de sortie CA est complètement fermée. L'alarme sonore sonne. La DEL «TEMP» ROUGE (4, Fig 6,1) est allumée. La DEL «POWER» VERTE (2, Fig 6,1a) est allumée. La lumière d'indication du DDR est éteinte.</p>	<p>Arrêt dû à une surchauffe en raison d'une défaillance du ventilateur ou refroidissement inadéquat en raison d'une température ambiante élevée ou d'échange d'air insuffisante</p> <p>Point chaud interne est à <math>90 \pm 5^{\circ}\text{C}</math> ou supérieur</p>	<p>Vérifiez que les ventilateurs marchent. Sinon, le circuit de contrôle des ventilateurs est peut-être défectueux. Téléphonnez à Support Technique (Services en Anglais).</p> <p>Si les ventilateurs marchent, vérifiez que les rainures de ventilation (d'admission et d'expulsion) soient pas bloquer.</p> <p>Si les ventilateurs marchent et les rainures de ventilation sont bien dégagées, vérifiez qu'il y a suffisamment d'air froid qui remplace l'air chaud et que la température ambiante est en-dessous de <math>40^{\circ}\text{C}</math>.</p> <p>Réduisez la charge pour réduire la réchauffement.</p> <p>Après que la cause de la surchauffe est supprimé et le point chaud interne se refroidit jusqu'à <math>65 \pm 5^{\circ}\text{C}</math>, la puissance AC seront automatiquement restaurées</p>
<p>Il n'y a pas de sortie CA . L'indicateur vert sur la GFCI est en position OFF . La LED verte marquée «POWER» ( 2 , figure 6,1a ) est allumée . Pas de sonnerie d'alarme.</p>	<p>Le GFCI a déclenché à cause d'une fuite ou une liaison du Neutre à terre (sur le côté de charge)</p>	<p>Inspectez les circuits du côté de charge pour une fuite ou une liaison du Neutre à terre et, corrigez-la. Appuyez sur le bouton de réinitialisation «RESET» du DDR. Assurez que l'onduleur est mis en marche avant de réinitialiser le GFCI.</p>

## SECTION 12 | Spécifications

NO. MODÈLE	PST-600-12	PST-600-24
<b>SORTIE</b>		
TENSION DE SORTIE	120 VAC $\pm$ 3%	120 VAC $\pm$ 3%
COURANT DE SORTIE MAXIMALE	5.1A	5.1A
FRÉQUENCE DE SORTIE	60 Hz $\pm$ 1%	60 Hz $\pm$ 1%
FORME D'ONDE DE SORTIE	Onde Sinusoïdale Pure	Onde Sinusoïdale Pure
DISTORTION HARMONIQUE DE LA FORME D'ONDE	< 3%	< 3%
PUISSANCE NOMINALE CONTINUE (Facteur Puissance= 1)	600 Watts	600 Watts
PUISSANCE NOMINALE MAXIMALE	1000 Watts (< 8 ms)	1000 Watts (< 8 ms)
RENDEMENT MAXIMALE	> 85%	> 88%
CONNEXIONS DE SORTIE	NEMA5-20R, Réceptacle Duplex DDR	NEMA5-20R, Réceptacle Duplex DDR
<b>ENTRÉE</b>		
TENSION D'ENTRÉE CC NOMINALE	12V	24V
PLAGE DE TENSION D'ENTRÉE CE	10,7 - 16,5 VDC	21,4 - 33 VDC
COURANT DE D'ENTRÉE MAXIMAL	80A	40A
TENSION D'ENTRÉE CC SANS CHARGE	600 mA	450 mA
CONNEXIONS D'ENTRÉE	Trou tubulaire diamètre: 11 mm / 0,433 " ; vis de réglage M8	
FUSIBLES D'ENTRÉE CC (INTERNES)	2 x 40A = 80A (chaque 40A, 32V, l'automobile, du type de lame)	2 x 20A = 40A (chaque 20A, 32V, l'automobile, du type de lame)
<b>AFFICHAGE</b>		
ACL	Surcharge, surchauffe	Surcharge, surchauffe
<b>PROTECTIONS</b>		
ALARME DE FAIBLE TENSION D'ENTRÉE CC	10,7V $\pm$ 0,1V	21,4V $\pm$ 0,2V
FERMETURE FAIBLE TENSION D'ENTRÉE C	10V $\pm$ 0,1V ; réinitialisation automatique : 11,5V $\pm$ 0,3V	20V $\pm$ 0,2V ; réinitialisation automatique : 23V $\pm$ 0,5V
FERMETURE FORTE TENSION D'ENTRÉE CC	16,5V ; réinitialisation automatique : < 16,5V	33V ; réinitialisation automatique : < 33V
FERMETURE DE COURT-CIRCUIT	Lorsque la tension de sortie chute à 80V ou plus faibles jusqu'à 2,5 sec	
FERMETURE DE SURCHARGE	En cas de surcharge de 110 % à 115 % pour 2 à 2,5 sec	
FERMETURE DE COURANT RÉSIDUE	Seulement sur les points de vente GFCI ( 5 à 6 mA fuites )	
FERMETURE DE SURCHAUFFE	90 ° C $\pm$ 5 ° C ; réinitialisation automatique à 65 ° C $\pm$ 5 ° C	
POLARITÉS RENVERSÉE CÔTÉ D'ENTRÉE CCE	Interne / externe CC côtés fusibles sauteront	
<b>COMMANDE À DISTANCE</b>		
TÉLÉCOMMANDE FILAIRE AVEC LED / LED AFFICHER COMMANDE ON / OFF	RC- 15A ( vendu séparément ) avec câble de 15 pouces	
<b>COOLING</b>		
RERODISSSEMENT D'AIR FORCÉE	Ventilateur à température contrôlée ( Détectée au niveau du transformateur T6 ) Fan ON à 55 ° C $\pm$ 3 ° C ; Fan OFF à 45 ° C $\pm$ 3 ° C	
<b>CONFORMITÉ</b>		
SÉCURITÉ	ETL Listé - Intertek. Conformité au Standard 458 de ANSI/UL et certifié à la norme CSA STD C22.2 nO.107,1-01	
IEM / CEM	Partie 15 B (Classe B) du Standard FCC	
<b>ENVIRONNEMENT</b>		
ENVIRONNEMENT DE TRAVAIL	Utilisation en intérieur	
TEMPÉRATURE DE FONCTIONNEMENT	-20°C à 40°C / -4°F à 104°F	-20°C à 40°C / -4°F à 104°F
HUMIDITÉ RELATIVE	Jusqu'à 85% , sans condensation	
<b>DIMENSIONS</b>		
(L X La X H), MM	238 x 276,2 x 82	238 x 276,2 x 82
(L X La X H), POUCES	9,37 x 10,87 x 3,23	9,37 x 10,87 x 3,23
<b>POIDS</b>		
KG	2,7	2,7
LIVRES	5,9	5,9

- NOTES :** 1. Toutes les puissances nominales sont spécifiés pour charge résistive à facteur de puissance = 1.  
2. Toutes les caractéristiques indiquées ci-dessus sont à une température ambiante de 25 °C / 77 °F.  
3. Les spécifications sont sujettes à changement sans préavis.

## SECTION 12 | Spécifications



### ATTENTION! RISQUE D'INCENDIE!

Ne remplacez pas un fusible de véhicule avec une taille plus grande que celle qui est recommandée par le fabricant du véhicule. Ce produit est fabriqué pour tirer 80 Ampères d'une prise de véhicule de 12V et 40 Ampères d'une prise de 24V. Donc, il faut s'assurer que le système électrique dans le véhicule puisse alimenter l'onduleur sans que le fusible s'ouvre. Vérifiez, en lisant le manuel du véhicule, que le fusible qui protège la prise (du véhicule) est fabriqué pour plus que 80 Amp (batterie de 12V) ou, plus que 40 Amps (Batterie de 24V). Si le fusible s'ouvre plusieurs fois, ne continuez pas de le remplacer. Dans ce cas, il faut trouver la cause de la surcharge. Il faut jamais essayer de réparer/comblé un fusible avec un fil ou papier aluminium, ça pourrait engendrer des dommages dans le circuit électrique ou même causer un incendie.



## SECTION 12 | Spécifications

NO. MODÈLE	PST-1000-12	PST-1000-24
<b>SORTIE</b>		
TENSION DE SORTIE	120 VAC $\pm$ 3%	120 VAC $\pm$ 3%
COURANT DE SORTIE MAXIMALE	8,5A	8,5A
FRÉQUENCE DE SORTIE	60 Hz $\pm$ 1%	60 Hz $\pm$ 1%
FORME D'ONDE DE SORTIE	Onde Sinusoïdale Pure	Onde Sinusoïdale Pure
DISTORTION HARMONIQUE DE LA FORME D'ONDE	< 3%	< 3%
PUISSANCE NOMINALE CONTINUE (Facteur Puissance= 1)	1000 Watts	1000 Watts
PUISSANCE NOMINALE MAXIMALE	2000 Watts (< 8 ms)	2000 Watts (< 8 ms)
RENDEMENT MAXIMALE	> 85%	> 85%
CONNEXIONS DE SORTIE	NEMA5-20R, Réceptacle Duplex DDR	NEMA5-20R, Réceptacle Duplex DDR
<b>ENTRÉE</b>		
TENSION D'ENTRÉE CC NOMINALE	12V	24V
PLAGE DE TENSION D'ENTRÉE CE	10,7 - 16,5 VDC	21,4 - 33 VDC
COURANT DE D'ENTRÉE MAXIMAL	160A	80A
TENSION D'ENTRÉE CC SANS CHARGE	800 mA	600 mA
CONNEXIONS D'ENTRÉE	Trou tubulaire diamètre: 11 mm / 0,433 " ; vis de réglage M8	
FUSIBLES D'ENTRÉE CC (INTERNES)	4 x 40A = 160A (chaque 40A, 32V, l'automobile, du type de lame)	4 x 20A = 80A (chaque 20A, 32V, l'automobile, du type de lame)
<b>AFFICHAGE</b>		
ACL	Surcharge, surchauffe	Surcharge, surchauffe
<b>PROTECTIONS</b>		
ALARME DE FAIBLE TENSION D'ENTRÉE CC	10,7V $\pm$ 0,1V	21,4V $\pm$ 0,2V
FERMETURE FAIBLE TENSION D'ENTRÉE C	10V $\pm$ 0,1V ; réinitialisation automatique : 11,5V $\pm$ 0,3V	20V $\pm$ 0,2V ; réinitialisation automatique : 23V $\pm$ 0,5V
FERMETURE FORTE TENSION D'ENTRÉE CC	16,5V ; réinitialisation automatique : < 16,5V	33V ; réinitialisation automatique : < 33V
FERMETURE DE COURT-CIRCUIT	Lorsque la tension de sortie chute à 80V ou plus faibles jusqu'à 2,5 sec	
FERMETURE DE SURCHARGE	En cas de surcharge de 110 % à 115 % pour 2 à 2,5 sec	
FERMETURE DE COURANT RÉSIDUE	Seulement sur les points de vente GFCI ( 5 à 6 mA fuites )	
FERMETURE DE SURCHAUFFE	90 ° C $\pm$ 5 ° C ; réinitialisation automatique à 65 ° C $\pm$ 5 ° C	
POLARITÉS RENVERSÉE CÔTÉ D'ENTRÉE CCE	Interne / externe CC côtés fusibles sauteront	
<b>COMMANDE À DISTANCE</b>		
TÉLÉCOMMANDE FILAIRE AVEC LED / LED AFFICHER COMMANDE ON / OFF	RC- 15A ( vendu séparément ) avec câble de 15 pouces	
<b>COOLING</b>		
RERODISSSEMENT D'AIR FORCÉE	Ventilateur à température contrôlée ( Détectée au niveau du transformateur T6 ) Fan ON à 55 ° C $\pm$ 3 ° C ; Fan OFF à 45 ° C $\pm$ 3 ° C	
<b>CONFORMITÉ</b>		
SÉCURITÉ	ETL Listé - Intertek. Conformité au Standard 458 de ANSI/UL et certifié à la norme CSA STD C22.2 nO.107,1-01	
IEM / CEM	Partie 15 B (Classe B) du Standard FCC	
<b>ENVIRONNEMENT</b>		
ENVIRONNEMENT DE TRAVAIL	Utilisation en intérieur	
TEMPÉRATURE DE FONCTIONNEMENT	-20°C à 40°C / -4°F à 104°F	-20°C à 40°C / -4°F à 104°F
HUMIDITÉ RELATIVE	Jusqu'à 85% , sans condensation	
<b>DIMENSIONS</b>		
(L X La X H), MM	238 x 397 x 82	238 x 397 x 82
(L X La X H), POUCES	9,37 x 15,63 x 3,23	9,37 x 15,63 x 3,23
<b>POIDS</b>		
KG	4	4
LIVRES	8,8	8,8

- NOTES :** 1. Toutes les puissances nominales sont spécifiés pour charge résistive à facteur de puissance = 1.  
2. Toutes les caractéristiques indiquées ci-dessus sont à une température ambiante de 25 °C / 77 °F.  
3. Les spécifications sont sujettes à changement sans préavis.

## SECTION 12 | Spécifications



### ATTENTION! RISQUE D'INCENDIE!

Ne remplacez pas un fusible de véhicule avec une taille plus grande que celle qui est recommandée par le fabricant du véhicule. Ce produit est fabriqué pour tirer 160 Ampères d'une prise de véhicule de 12V et 80 Ampères d'une prise de 24V. Donc, il faut s'assurer que le système électrique dans le véhicule puisse alimenter l'onduleur sans que le fusible s'ouvre. Vérifiez, en lisant le manuel du véhicule, que le fusible qui protège la prise (du véhicule) est fabriqué pour plus que 160 Amp (batterie de 12V) ou, plus que 80 Amps (Batterie de 24V). Si le fusible s'ouvre plusieurs fois, ne continuez pas de le remplacer. Dans ce cas, il faut trouver la cause de la surcharge. Il faut jamais essayer de réparer/comblé un fusible avec un fil ou papier aluminium, ça pourrait engendrer des dommages dans le circuit électrique ou même causer un incendie.

## SECTION 13 | Warranty

### GARANTIE LIMITÉE DE 2 ANS

PST-600-12, PST-600-24, PST-1000-12 et, PST-1000-24 fabriqués par Samlex America, Inc. (le «Garant») sont garantis d'être non-défectueux dans la conception et dans

les matériaux, moyennant une utilisation et un service normaux. Cette garantie est valide pendant une période de 2 ans pour les États-Unis et le Canada, et prend effet le jour que les T-600-12, PST-600-24, PST-1000-12 et, PST-1000-24 sont achetés par l'utilisateur (« l'Acheteur »).

Hors des États-Unis et le Canada, la garantie est limitée à 6 mois. Pour une réclamation concernant la garantie, l'Acheteur devrait contacter le point de vente où l'achat a été effectué afin d'obtenir un Numéro d'Autorisation pour le Retour.

La pièce ou l'unité défectueuse devrait être retournée aux frais de l'Acheteur à l'endroit autorisé. Une déclaration écrite qui décrit la nature du défaut, la date et le lieu d'achat ainsi que le nom, l'adresse et le numéro de téléphone de l'Acheteur devrait également être comprise.

Si à l'examen de la demande par le Garant, le défaut est réellement le résultat d'un matériau ou d'un assemblage défectueux, l'équipement sera réparé ou remplacé gratuitement et renvoyé à l'Acheteur aux frais du Garant. (Les États-Unis contiguë et le Canada uniquement).

Aucun remboursement du prix d'achat sera accordé à l'Acheteur, sauf si le Garant est incapable de remédier le défaut après avoir eu plusieurs occasions de le faire. Le service de garantie doit être effectué uniquement par le Garant. Toutes tentatives de remédier le défaut par quelqu'un d'autre que le Garant rendent cette garantie nulle et sans effet. Il existe aucune garantie concernant les défauts ou dommages causés par une installation défectueuse ou inadaptée, par un abus ou une mauvaise utilisation de l'équipement, y compris, une exposition excessive à la chaleur, au sel, aux éclaboussures d'eau fraîche ou à l'immersion dans l'eau.

Aucune autre garantie express est accordée et il existe aucune garantie qui s'étende au delà des conditions décrites par la présente. Cette garantie est la seule garantie valable et reconnue par le Garant, et prédomine sur d'autres garanties implicites, y compris les garanties implicites liées à la garantie de qualité marchande, à l'usage pour des objectifs habituels pour lesquels telles marchandises sont utilisées, ou à l'usage pour un objectif particulier, ou toutes autres obligations de la part du Garant ou de ses employés et représentants.

Il ne doit pas exister de responsabilité ou engagement de la part du Garant ou des ses employés et représentants, en ce qui concerne les blessures corporelles, ou les dommages de personne à personne, ou les dégâts sur une propriété, ou la perte de revenus ou de bénéfices, ou autres dommages collatéraux, pouvant être rapportés comme ayant survenus au cours de l'utilisation ou de la vente du matériel, y compris tous dysfonctionnements ou échecs du matériel, ou une partie de ceux-ci. Le Garant assume aucune responsabilité concernant toutes sortes de dommages accidentels ou indirects.

**Samlex America Inc. (le «Garant»)**  
**[www.samlexamerica.com](http://www.samlexamerica.com)**

## **Information Contact**

Numéros Sans Frais  
Tél: 1 800 561 5885  
Télé: 1 888 814 5210

Numéros locaux  
Tél: 604 525 3836  
Télé: 604 525 5221

Site internet  
[www.samlexamerica.com](http://www.samlexamerica.com)

Entrepôt USA  
Kent, WA

Entrepôt Canada  
Delta, BC

Adresse email pour  
passer commande  
[orders@samlexamerica.com](mailto:orders@samlexamerica.com)

