



# M I D N I T E S O L A R

**M**idNite Solar offers a range of PV Combiners from our MNPV3 to the MNPV16. This range of combiners accommodates PV systems as small as a two string off grid cabin up to 16 strings for a 100KW commercial grid tie inverter. The MNPV series of combiners are the result of 20 years of design and manufacturing experience in the renewable energy industry. Each unit has the same quality features such as:

- \* Aluminum rainproof type 3R enclosure
- \* Internal plastic injection molded dead front covers
- \* Knock outs that accept waterproof strain reliefs, conduit or panel mount MC type connectors
- \* Knock outs for lightning arrestors
- \* Uses 150VDC & 300VDC breakers or 600VDC fuses depending on model number
- \* ETL listed to UL1741 for use in the US and Canada
- \* Adaptable for two separate inverters or charge controllers on certain models



## MNPV 3



Configured for 600VDC Fuses (Gridtie)



Installation photo courtesy of APRS World



Configured for 150VDC Breakers (Offgrid)



[www.BluePacificSolar.com](http://www.BluePacificSolar.com)

# PV Combiner: MNPV3

Model	Max VDC	Max # of Strings	PV Source Circuits			PV Output Circuits			Approved Mounting Angle	Enclosure Type/Material	Rating
			Max OCPD Rating Amps	OCPD	Wire Range AWG	Max # of Output Strings	Max Output Amps	Wire Range AWG			
MNPV3 (LV)	150	3	63	CB 150V	14-6	1	60	14-1/0	90 to 14°	3R/Alum	UL1741
MNPV3 (HV)	600	2	30	FUSE	14-6	1	60	14-1/0	90 to 14°	3R/Alum	UL1741
MNPV6 (LV)	150	6	63	CB 150V	14-6	2	120	14-1/0	90 to 14°	3R/Alum	UL1741
MNPV6 (HV)	600	4	30	FUSE	14-6	2	80	14-1/0	90 to 14°	3R/Alum	UL1741
MNPV6-250	300	3	63	CB 300V	14-6	1	120	14-1/0	90 to 14°	3R/Alum	UL1741
MNPV12 (LV)	150	12	63	CB 150V	14-6	2	200	14-2/0	90 to 14°	3R/Alum	UL1741
MNPV12 (HV)	600	10	30	FUSE	14-6	2	200	14-2/0	90 to 14°	3R/Alum	UL1741
MNPV12-250	300	6	63	CB 300V	14-6	2	168	14-2/0	90 to 14°	3R/Alum	UL1741
MNPV16 (HV)	600	16	30	FUSE	14-6	1	240	14-250mcm	90 to 14°	3R/Alum	UL1741
MNPV16-250	300	12	63	CB 300V	14-6	1	240	14-2/0	90 to 14°	3R/Alum	UL1741
MNPV16-24	150	24	63	CB 150V	14-6	1	240	14-250mcm	90 to 14°	3R/Alum	UL1741
PREWIRED											
MNPV2-HVPR	600	2	30	FUSE	14-6	1	60	14-1/0	90 to 14°	3R/Alum	UL1741
MNPV4-HVPR	600	4	30	FUSE	14-6	2	80	14-1/0	90 to 14°	3R/Alum	UL1741
MNPV6-HVPR	600	6	30	FUSE	14-6	2	200	14-2/0	90 to 14°	3R/Alum	UL1741

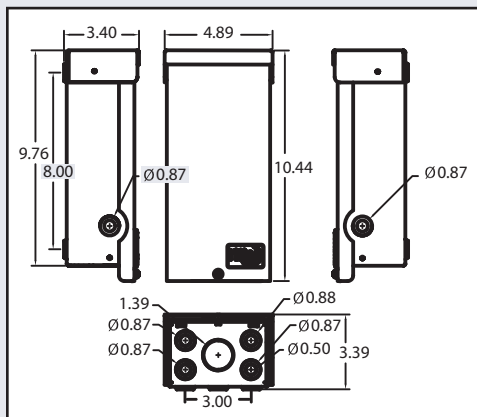
\* Installer to confirm number of input circuits vs. specified OCPD rating vs. continuous current rating of Buss bar

NOTE: All of the connections have a 90 deg C rating except the 2/0 positive lug that carries a 70 deg C rating. MidNite can supply 1/0 lugs to substitute in these cases where 90 deg C is required.

MNPV3 (For 150 VDC charge controllers and 600 VDC gridtie inverters)

(The second most popular PV combiner in North America.) Gray aluminum type 3R rainproof enclosure with insulating deadfront, will accept three 150VDC (MNEPV) breakers or two 600/1000 VDC fuse holders. With modifications to the deadfront 3 dinrail fuse holders can be used. Includes a 60 amp plus bus bar, 6 position PV negative bus bar and a 6 position ground bus bar. Punch out tabs on the plastic deadfront make for a clean installation using circuit breakers. An included vsnap in adapter makes for a professional looking installation when installing fuse holders. A single 300VDC breaker from 7 to 50 amps may be installed as a disconnect (no combining busbar). The enclosure may be mounted to a pole or wall indoors or out.

Breakers/fuse holders sold separately  
Boxed size: 11 x 5 x 4 weight: 2 Lbs.



Configured with 2 600 VDC fuses



Configured with 3 150 VDC breakers



ETL Listed for US & Canada

17722—67th Ave NE, Unit C, Arlington WA 98223

Ph 360.403.7207 Fax 360.691.6862

<http://www.midnitesolar.com>

