

THE KID *By Mario*

MIDNITE MPPT CHARGE CONTROLLERS

MIDNITE SOLAR INC.

The finest 30 amp MPPT charge controller!

The KID is the most versatile medium sized charge controller on the market. Ideal for small renewable energy systems. The KID allows for true input paralleling. As your power needs grow, add more modules to the array and a second KID. This will give twice the power from a single array. For Wind and Hydro use MidNite's WIND KID. The WIND KID comes with the KID CLIPPER (available mid 2015).

The KID is now available with Gen-Start and an advanced Lighting Controller. Check online for more information!

www.midnitesolar.com/kid

PRODUCT FEATURES

- MPPT Tracking
- True paralleling - Inputs and Outputs for two KIDs
- Up to 150V input
- Now available with Auto Gen-Start
- MidNite's exclusive HyperVOC extends the input voltage beyond 150 VOC for cold climates
- 12V, 24V, 36V, 48V battery output
- Lighting Controller: dusk+hours, daylight and night-light settings
- Up to 30 amps battery output
- No fan
- Reverse polarity protected
- Battery Temp Sensor standard with marine version
- Front panel exchangeable fuses for battery, input and load/clipper.
- 3 LED bar graph for battery status at a glance
- Keypad for access to extensive menu items and set points
- Includes wall mount adapter (Boat mount bracket included on marine versions)
- Sealed for harsh environments
- THE KID IS CERTIFIED TO UL1741, UL458 (MARINE SUPPLEMENT) & CSA
With the UL458 marine supplement, THE KID meets very strict vibration, environment, and thermal requirements.
- Built in Arlington, WA USA

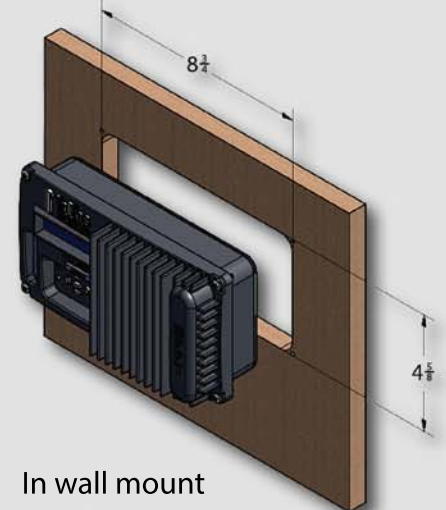
The KID's HyperVOC feature allows up to 162VOC . (The KID will not be harmed by voltages between 150 and 162VDC (this is the HyperVOC range). However the KID will remain in standby until the voltage is 150VDC or below.)

www.midnitesolar.com

17722 67th Ave. NE., Arlington, WA. 360-403-7207 FAX: 360-691-6862



View with wall mount



In wall mount



Optional marine version is available in black or white.

THE KID

MIDNITE MPPT CHARGE CONTROLLERS



PRODUCT SPECIFICATIONS

Operating Input Voltage	150VDC
Nominal Battery Voltage	12V through 48V
Maximum Output Current	30A
Auto Gen-Start	YES
PV Open Circuit Voltage VOC	150VDC + HyperVOC (162VOC)
HyperVOC (See page bottom)	Extended VOC range for cold climates
Charging Regulation	Bulk, Absorb, Float as well as Equalization
Battery Voltage Range	9V TO 64V
Equalization Charging	Adjustable Voltage and Duration
Battery Temp Compensation (Standard marine version - optional otherwise)	Automatic when BTS is installed, Adjustable mV per degree C per 2 volt cell
Programmable Auxiliary Control Output	1 - I/O communication port
Whizbang Jr. Communication Port	YES
Status Display	LCD plus status LEDs
Networking Cabling	Standard 4 conductor phone cable, no hub needed
Communications	RS232 openly published protocols and USB
Load Terminal	30A configurable as battery load or wind clipper
Solar	Standard
Wind & Hydro	NO (standard on the WIND KID MPPT Charge Controller)
Operating Temperature	Min. of -40C to 50C - Controller will auto derate as temperature rises above 25C
Environmental Rating	Indoor IP52 type 1 (IP53 with drip shield)
Conduit knock Outs	2
Warranty	2 Year
Lighting Controller	Highly customizable via keypad (dusk+hours, daylight and night-light)
Weight	6 Lbs.
Dimensions	9 1/4"L x 5"H x 3 5/16"W (23.5CM x 12.7CM x 8.4CM)
Shipping Dimensions	12"L x 8"H x 6"W (30.48CM x 20.32CM x 15.24CM)
Options	3ft. network cable, external load, boat mount bracket
Certifications	ETL for US & Canada, CE Certified, FCC Class B, CSA C22.#107.1
True Paralleling	Inputs and Outputs between 2 units with smart active current sharing
Battery Types	Flooded, AGM, Gel, Calcium SMF, Lithium BMS, Custom
UL1741 & UL458 (Marine Supplement)	With the UL458 marine supplement, THE KID meets very strict vibration, environment, and thermal requirements

HyperVOC: A non-operative VOC safety zone over and above the maximum input voltage for cold climates.