



# Sunny Boy 3000US Sunny Boy 4000US





---

Copyright © 2007 SMA America, Inc. All rights reserved.

No part of this document may be reproduced, stored in a retrieval system, or transmitted, in any form or by any means, electronic, mechanical, photographic, magnetic or otherwise, without the prior written permission of SMA America, Inc.

SMA America makes no representations, express or implied, with respect to this documentation or any of the equipment and/or software it may describe, including (with no limitation) any implied warranties of utility, merchantability, or fitness for any particular purpose. All such warranties are expressly disclaimed. Neither SMA America nor its distributors or dealers shall be liable for any indirect, incidental, or consequential damages under any circumstances.

(The exclusion of implied warranties may not apply in all cases under some statutes, and thus the above exclusion may not apply.)

Specifications are subject to change without notice. Every attempt has been made to make this document complete, accurate and up-to-date. Readers are cautioned, however, that SMA America reserves the right to make changes without notice and shall not be responsible for any damages, including indirect, incidental or consequential damages, caused by reliance on the material presented, including, but not limited to, omissions, typographical errors, arithmetical errors or listing errors in the content material.

## Revision History

Rev. No.	Date	By	Version
1.0	February 2007	GAS	1st Edition
1.1	March 2007	Welzel	2nd Edition
1.2	April 2007	Welzel	3rd Edition

SMA America, Incorporated  
12438 Loma Rica Drive  
Grass Valley, California 95945  
Tel 530.273.4895  
Fax 530.274.7271  
[www.sma-america.com](http://www.sma-america.com)

---

# IMPORTANT SAFETY INSTRUCTIONS

## SAVE THESE INSTRUCTIONS

This manual contains important instructions for the Sunny Boy SB 3000US / Sunny Boy SB 4000US that must be followed during installation and maintenance of the inverter.

The Sunny Boy is designed and tested according to international safety requirements, but as with all electrical and electronic equipment, certain precautions must be observed when installing and/or operating the Sunny Boy. To reduce the risk of personal injury and to ensure the safe installation and operation of the Sunny Boy, you must carefully read and follow all instructions, cautions and warnings in this *Installation Guide*.

### Safety and Hazard Symbols



This symbol is used to call attention to important information that you must have when installing and/or operating the Sunny Boy. Failure to read and follow instructions marked with this symbol could result in injury or death and/or damage to the equipment.



This symbol appears beside instructions and warnings that deal with dangerous voltages that can injure or kill people who come in contact with them.



This symbol appears beside terminations that are connected to earth-ground.

---

## Warnings



**WARNING:** A Warning describes a hazard to equipment or personnel. It calls attention to a procedure or practice, which, if not correctly performed or adhered to, could result in damage to or destruction of part or all of the SMA equipment and/or other equipment connected to the SMA equipment or personal injury.

Warnings and Cautions may also be accompanied by one or more of the safety and hazard symbols described above to indicate the type of hazard described therein.

## Other Symbols

In addition to the safety and hazard symbols described on the previous pages, the following symbol is also used in this *Installation Guide*:



This symbol accompanies notes that call attention to supplementary information that you should know and use to ensure optimal operation of the system.

## General Warnings



All electrical installations must be done in accordance with the local and National Electrical Code ANSI/NFPA 70.



The Sunny Boy contains no user-serviceable parts except for the fan on the bottom of the enclosure and the filter behind the fan as well as the handle cover on the left hand side of the unit. For all other repair and maintenance always return the unit to an authorized SMA Service Center.



Before installing or using the Sunny Boy, read all of the instructions, cautions, and warnings on the Sunny Boy, the PV array, and in this Installation Guide.



Before connecting the Sunny Boy to the electrical utility grid, contact the local utility company. This connection must be made only by qualified personnel.



PV arrays produce electrical energy when exposed to light and thus can create an electrical shock hazard. Wiring of the PV-arrays should only be performed by qualified personnel.

## Warranty

All Sunny Boy inverters sold in the USA have a five-year warranty, as indicated on the warranty card included in the Sunny Boy shipping container. For warranty coverage, or if you have questions about the Sunny Boy warranty, contact SMA America at the address, telephone number or Web site listed on page iii (to send E-mail, see the Contact section of the SMA America Web site).

---

# Contents

Revision History . . . . .	iii
Safety and Hazard Symbols . . . . .	iv
Warnings . . . . .	v
Other Symbols . . . . .	v
General Warnings . . . . .	v
Warranty . . . . .	vi
<b>1 Introduction</b>	
Product Overview . . . . .	1-2
Safety . . . . .	1-3
Installation Overview . . . . .	1-5
<b>2 Unpacking and Inspection</b>	
Scope of Delivery . . . . .	2-2
<b>3 Mounting</b>	
Choosing a Mounting Location . . . . .	3-2
Dimensions and Recommended Clearances . . . . .	3-4
Mounting Procedure . . . . .	3-6
Mounting the SMA DC-Disconnect (if applicable) . . . . .	3-10
Mounting the Sunny Boy . . . . .	3-11
<b>4 AC Voltage Configuration</b>	
Opening the Sunny Boy . . . . .	4-1
Locating Internal Components . . . . .	4-2
Automatic Grid Voltage Detection . . . . .	4-3
Utility Configuration Jumpers . . . . .	4-5
<b>5 Wiring the Sunny Boy</b>	
Sequence of Connecting . . . . .	5-2
Wiring without SMA DC-Disconnect . . . . .	5-2
Wiring with SMA DC-Disconnect . . . . .	5-3
Bottom view and Dimensions . . . . .	5-4
Opening the Sunny Boy . . . . .	5-5
Opening the SMA DC-Disconnect (if applicable) . . . . .	5-5
Wiring the AC Output . . . . .	5-7
AC Connection Requirements . . . . .	5-7

AC Wiring Without SMA DC-Disconnect . . . . .	5-10
AC Wiring With SMA DC-Disconnect . . . . .	5-12
Wiring the DC Input . . . . .	5-14
DC Connection Requirements . . . . .	5-15
DC Input Grounding . . . . .	5-17
Connecting the DC Wires . . . . .	5-18
DC Wiring Without SMA DC-Disconnect . . . . .	5-19
DC Wiring With SMA DC-Disconnect . . . . .	5-21
Communication Wiring. . . . .	5-24
RS-485 Communication . . . . .	5-24
Closing the Sunny Boy . . . . .	5-27
Closing the SMA DC-Disconnect (if applicable). . . . .	5-28

## **6 Commissioning**

## **7 Displays and Messages**

LED Operation Indicators . . . . .	7-3
LED Fault Indicators . . . . .	7-6
Status Messages on the LCD . . . . .	7-11
LCD Language Selection . . . . .	7-14
Communication Options . . . . .	7-15
Measuring Channels and Parameters . . . . .	7-17
Measuring Channels . . . . .	7-17
Operating Mode . . . . .	7-18
Sunny Boy Operating Parameters . . . . .	7-19

## **8 Troubleshooting**

General . . . . .	8-1
Error Messages . . . . .	8-3

## **9 Maintenance**

Cleaning the Fan . . . . .	9-1
Testing the Fan . . . . .	9-2
Cleaning the Handle Cover . . . . .	9-3
Exchanging the Fuses . . . . .	9-4
Exchanging the GFDI Fuse within the Sunny Boy. . . . .	9-4
Exchanging the PV String Fuses within the SMA DC-Disconnect	9-5



---

# 10 Technical Specifications

FCC Compliance Information. . . . . 10-1  
Sunny Boy Wiring Diagram . . . . . 10-2  
Specifications . . . . . 10-3  
Trip Limits / Trip Times . . . . . 10-5  
Torque Values and Wire Sizes. . . . . 10-6



# Section 1: Introduction

This installation guide provides all the information needed to install, commission and operate a Sunny Boy SB 3000US / SB 4000US grid-tied photovoltaic (PV) inverter.



**Note:** To help avoid problems during the installation, familiarize yourself with the installation process by reading the entire *Installation Guide* before starting the installation.



**WARNING:** Lethal voltages are present at various points in a PV system. For safety reasons, it is recommended that only qualified personnel install and operate this equipment.

# Product Overview

The Sunny Boy is a DC to AC grid-tied utility interactive inverter for use with photovoltaic (PV). The SB 3000US is additionally UL listed for the use with fuel cell, wind turbine and other sources of DC power.

In general, the Sunny Boy takes power from a DC source (PV modules) and converts it to AC power for the utility grid. This power is delivered first to local loads (household appliances, lights, motor loads, etc.), with any excess power fed to the utility. The power consumed by the local loads reduces the power needed from the utility. Excess power may actually “spin the utility meter backwards” depending on the type of meter in your system. This power may also be recorded as power credits by the utility company depending on the interconnection agreement. An example of basic system components is shown in Figure 1-1.

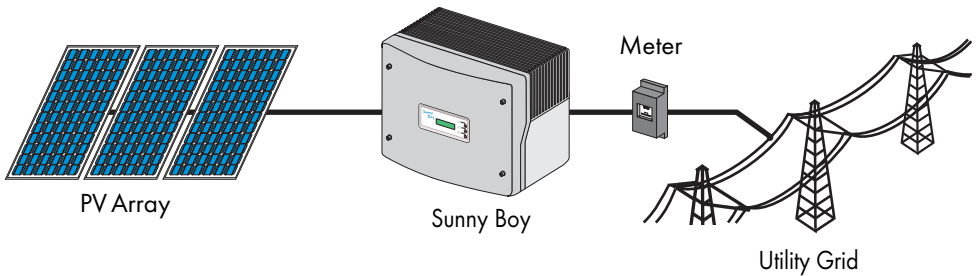


Figure 1-1 Sunny Boy Installed in a Utility Interactive PV System



Note: Policies vary from one utility company to another. Consult with a representative of the local utility company before designing and installing a PV system.

# Safety

## Anti-Islanding Protection

Islanding is a condition that can occur if the utility grid is disconnected while the Sunny Boy is operating and the remaining load is resonant at 60 Hz and matches the output of the Sunny Boy perfectly. This condition is highly unlikely and had never been witnessed outside of a controlled laboratory. Nevertheless, the Sunny Boy incorporates an advanced active islanding protection algorithm to insure that the system will not export power into a balanced 60 Hz resonant load while the utility is disconnected. The Sunny Boy periodically injects both leading and lagging reactive current into the utility grid. This method has been proven by U.S. regulatory agencies to effectively destabilize and disconnect from a balanced island condition.

## PV Ground Fault Detection and Interruption

The Sunny Boy is equipped with a ground fault detection device. If a ground fault current greater than 1 Amp is detected, the Sunny Boy will shut down and display the fault condition on the user interface display. Once the ground fault is located and corrected, the ground fault error will need to be manually cleared and the inverter will then resume normal operation.

## PV Series Fusing

Series fusing may be required depending on the type of PV module used in the system. See NEC 690.9

## Interconnection Code Compliance

The Sunny Boy has been tested and certified by UL to meet the requirements of UL1741 Static Inverters and Charge Controllers for use in Photovoltaic Power Systems as well as IEEE-929-2000 Recommended Practice for Utility Interface of Photovoltaic Systems and IEEE 1547 Standard for Interconnecting Distributed Resources with Electric Power Systems. The Sunny Boy is also UL listed under UL1741 for use in Canada.



UL1741 is the standard applied by Underwriters Laboratories to the Sunny Boy to certify that it meets the requirements of the NEC and IEEE-929-2000. IEEE 929-2000 provides recommendations regarding the proper equipment and functionality necessary to ensure compatible operation when power generation is connected to the utility grid.



Note: Contact the local utility and/or the authority having jurisdiction prior to connecting the Sunny Boy to the utility grid.

## FCC Compliance

The Sunny Boy has been tested and certified by a nationally recognized testing laboratory and conforms to all FCC Part 15 B EMI/EMC emissions regulations.

## Feature Overview

Over twenty years of inverter manufacturing experience has gone into the design of the Sunny Boy. As a result, the Sunny Boy represents state-of-the-art technology, high reliability and overall ease of use - all the qualities you've come to expect from SMA, the industry leader in inverter technology. Some of the features included are:

- LCD
- Temperature regulated fan cooling with simplified fan replacement
- Auto line voltage detection and configuration
- Advanced communication options
- Compatible with all SMA inverter and communication products
- High efficiency
- Simple installation
- Powder coated diecast enclosure

## Operating Temperature

The Sunny Boy has been designed to maintain full power output with ambient temperatures as high as 45°C. Fan cooling allows this level of output power to be achieved even in enclosed spaces. The Sunny Boy will continue to operate well beyond 45°C and derates as needed to maintain a safe internal component temperature.

# Installation Overview

This section provides a high-level overview of the installation process so you have an idea what to expect as you proceed through the rest of the *Installation Guide*.

The installation process is broken down into the following tasks:

## Section 2: Unpacking and Inspection

This section provides instructions and information for unpacking the Sunny Boy and inspecting it for shipping damage.

## Section 3: Mounting

This section includes guidelines to help you select the best mounting location, suggestions to insure optimum performance, cautions and warnings that you should follow to avoid injury and/or equipment damage and step-by-step instructions for mounting the Sunny Boy inverter.

## Section 4: AC Voltage Configuration

This section includes information on removing the cover, locating primary components within the inverter and selecting the appropriate voltage configuration for the installation.

## Section 5: Wiring the Sunny Boy

This section includes guidelines for selecting the correct wire sizes, cautions and warnings that you should follow to avoid injury and/or equipment damage and step-by-step instructions for wiring the Sunny Boy to a PV array, household electrical circuits and the utility grid. Procedures are also included for connecting optional data-communication cables.

## Section 6: Commissioning

Commissioning involves applying DC input power to the Sunny Boy, observing the LED and LCD indicators on the front cover, and resolving any problems that occur.

## Section 7: Displays and Messages

This section provides troubleshooting tips and procedures for resolving problems that may occur during installation and operation.





# Section 2: Unpacking and Inspection

All Sunny Boy inverters are thoroughly tested and inspected before they are packed and shipped. Although they are shipped in sturdy, recyclable packaging; damage can still occur during shipping. It is important to carefully inspect the shipping container prior to beginning the installation. If any external damage to the packaging makes you suspect the inverter itself could be damaged, or if you find that the inverter is damaged after unpacking it, report the damage immediately to your SMA dealer and to the shipping company that delivered the Sunny Boy. If it becomes necessary to return the Sunny Boy, use the original packaging in which it was delivered.

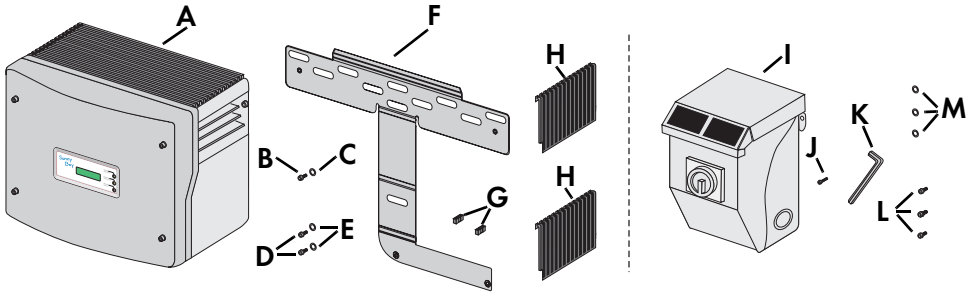


**WARNING: The Sunny Boy weighs 88 lb. (40 kg). To avoid injury, be sure to use proper lifting techniques and secure the help of someone to assist in the unpacking and installation of the inverter.**

If you need assistance with a damaged Sunny Boy, contact your SMA dealer or SMA America. Contact information for SMA America is provided below.

SMA America, Incorporated  
12438 Loma Rica Drive  
Grass Valley, California 95945  
Tel 530.273.4895  
Fax 530.274.7271  
[www.sma-america.com](http://www.sma-america.com)

# Scope of Delivery



## Sunny Boy:

- A** one Sunny Boy
- B** one M6 x 16 screw for closing the Sunny Boy cover (spare)
- C** one M6 washer for closing the Sunny Boy cover (spare)
- D** two M6 x 10 screws for fastening the Sunny Boy to the wall-mounting bracket
- E** two M6 washers for fastening the Sunny Boy to the wall-mounting bracket
- F** one wall-mounting bracket
- G** two jumpers in spare (1 x fan test and 1 x grid configuration)
- H** two handle covers (left and right)

## SMA DC-Disconnect (if applicable):

- I** one DC-Disconnect
- J** one screw for the switch handle of the DC-Disconnect (spare)
- K** one allen key for fastening the switch
- L** three M6 x 10 screws (2 x for fastening the DC-Disconnect to the wall-mounting bracket and 1 x for closing the DC-Disconnect cover)
- M** three M6 washers (2 x for fastening the DC-Disconnect to the wall-mounting bracket and 1 x for closing the DC-Disconnect cover)

# Section 3: Mounting

This section provides guidelines to help you select the best mounting location, suggestions to insure optimum performance, cautions and warnings that you should follow to avoid injury and/or equipment damage, and step-by-step instructions for mounting a Sunny Boy inverter.



**WARNING: The Sunny Boy weighs 88 lb. (40 kg). To avoid injury, be sure to use proper lifting techniques and secure the help of someone to assist in the unpacking and installation of the inverter.**



Note: Occasionally, the rating label on the Sunny Boy will need to be referred to. For this reason, it is required that the inverter be mounted so that the rating label on the side of the inverter be visible.

# Choosing a Mounting Location

Consider the following guidelines, cautions, and warnings when choosing a mounting location for the Sunny Boy:

- Do not install the Sunny Boy in direct sunlight. External heating from exposure to the sun may cause excessive internal heating. This can result in reduced output power to protect the internal components from damage.
- Install the Sunny Boy in a location that maintains an ambient air temperature that is less than 45°C. To maintain a safe internal component temperature, the Sunny Boy may reduce its power output if the ambient air temperature exceeds 45°C. (The cooler the air temperature, the longer the life expectancy of any power electronics device.)
- The Sunny Boy is constructed in a rugged powder coated aluminium enclosure designed for outdoor installations. However, care should always be taken to minimize exposure to the elements. It is best to minimize exposure to rain, snow and ice, etc. Do not install the Sunny Boy in a location exposed to sources of direct water spray such as sprinklers or downspouts.
- The inverter should be installed in a location that is inaccessible to children.
- The Sunny Boy may emit a slight vibrating noise when operating. This vibration is normal and has no effect on performance, but it may be noticeable if the inverter is mounted on a wall in a living area, on the outside of a wall that is near a living area, or on certain types of materials, such as thin wood panelling or sheet metal.
- If the inverter is installed outside, it should be mounted vertically or tilted back (see Figure 3-1).



Figure 3-1 Sunny Boy Mounting Positions



Note: These inverter types are intended for operation in an environment having a maximum ambient temperature of 45 °C.



**CAUTION:** The Sunny Boy weighs 88 lb. (40 kg.). Ensure that the mounting surface is strong enough to hold the weight of the Sunny Boy. Do not mount the Sunny Boy on plasterboard (sheet-rock) or thin wood panelling.



**CAUTION:** Rain-tight or wet location hubs that comply with the requirements in the Standard for Fittings for Cable and Conduit, UL 514B, are to be used.



**CAUTION:** Do not install the Sunny Boy during periods of precipitation or high humidity (>95%). Moisture trapped within the enclosure may cause corrosion and damage to the electronic components.



**CAUTION:** If you are installing the Sunny Boy in a cabinet, closet, or other relatively small enclosed area, you must provide sufficient air circulation to dissipate the heat generated by the inverter.



**WARNING:** To prevent electrical shock or other injury, check for existing electrical or plumbing installations in the walls before drilling mounting holes for the Sunny Boy.

# Dimensions and Recommended Clearances

The outer dimensions of the Sunny Boy are shown in Figure 3-2. The Sunny Boy must be mounted so that there is at least eight inches of clearance around it. The clearance between the inverter or the SMA DC-Disconnect (if applicable) and the ground has to be at least 3 ft.

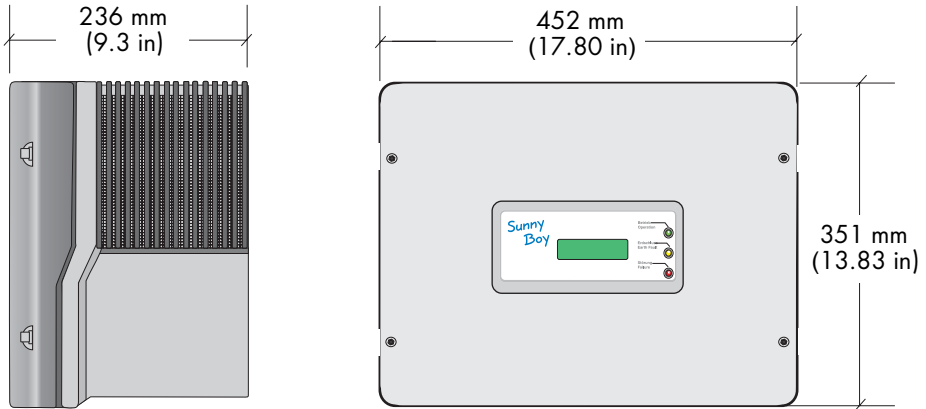


Figure 3-2 Outer Dimensions of the Sunny Boy



**CAUTION:** You **must** ensure that there is sufficient clearance for the flow of the air around the Sunny Boy! In a normal operating environment with good ventilation, eight inches of clearance is adequate.



**Note:** The National Electrical Code may require significantly larger working clearances (see NEC Section 110.26).

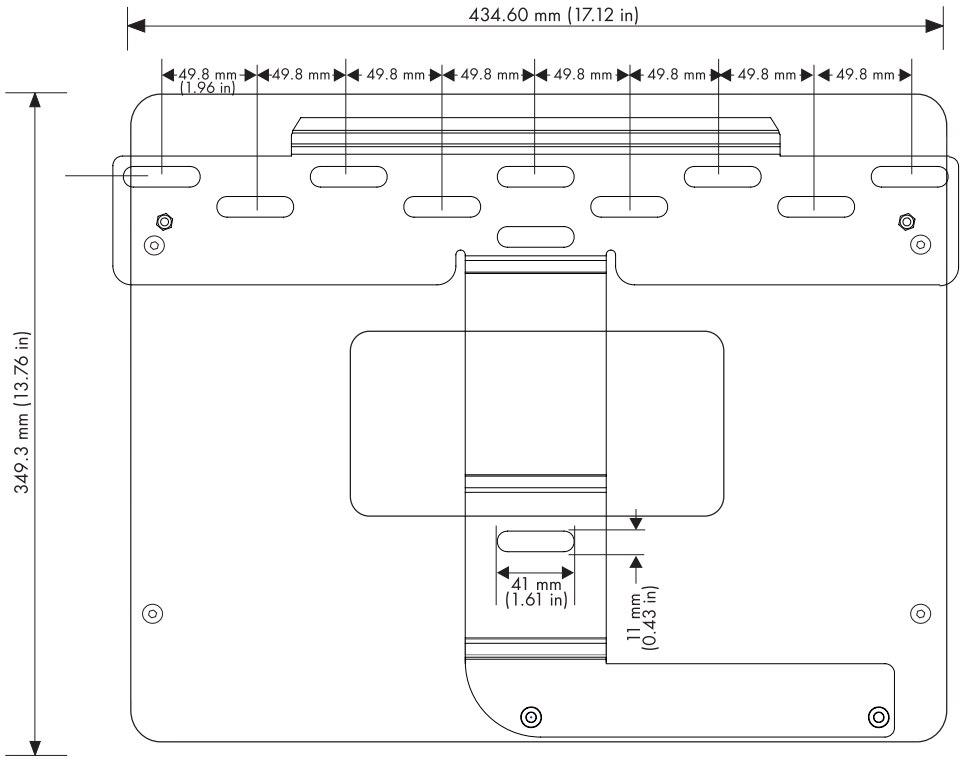


Figure 3-3 Dimensions of the Wall Mounting Bracket

# Mounting Procedure

The Sunny Boy is shipped with a T-shaped wall-mounting bracket that is suitable for use with most walls (see Figure 3-4 through Figure 3-6). The horizontal part of the bracket has 10 holes, the 2 outermost holes are spaced on 16-inch centers for mounting on wooden stud walls. Make sure that the wall you choose to mount the Sunny Boy on is sturdy enough to support its weight (40 kg / 88 lb.) over a long period of time and that the wall is plumb. The bracket may also be mounted on stone, brick or solid walls. Be sure to use the appropriate type of mounting hardware for the wall material and ensure that the hardware is no smaller than 1/4".

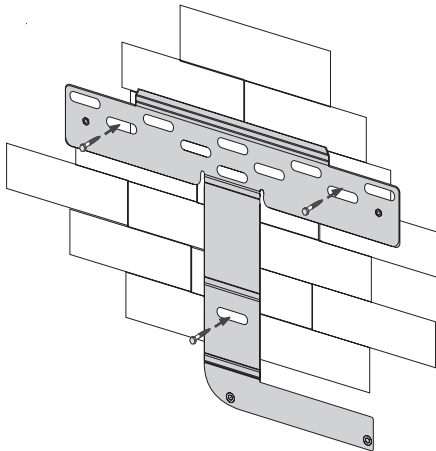


Figure 3-4 Sunny Boy with Mounting Bracket (stone wall mounting)



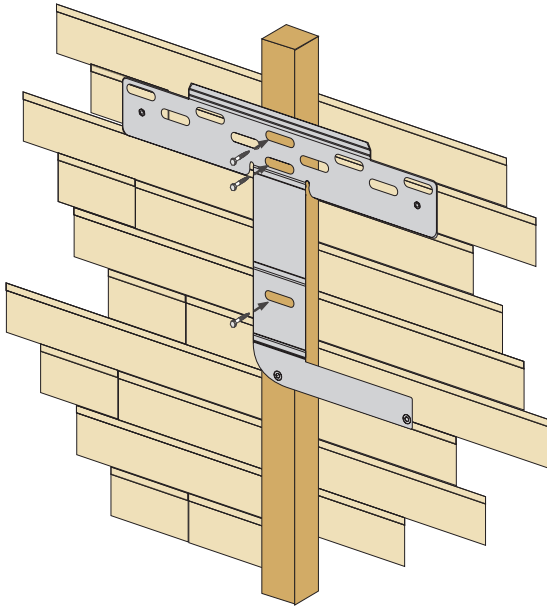


Figure 3-5 Sunny Boy with Mounting Bracket (wood wall mounting 1)

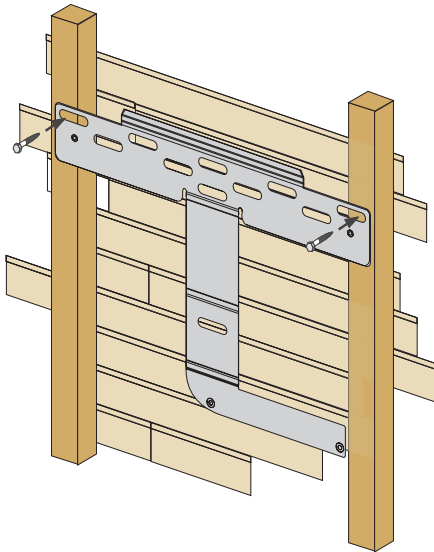


Figure 3-6 Sunny Boy with Mounting Bracket (wood wall mounting 2)

Alternatively the Sunny Boy can be mounted on a DIN Rail:

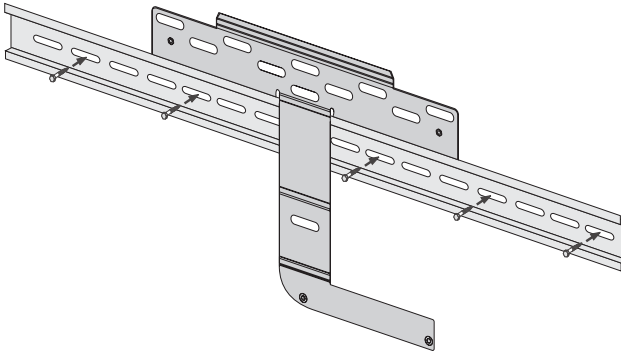


Figure 3-7 Sunny Boy with Mounting Bracket on DIN Rail

Use the following procedure to mount the wall-mounting bracket:

1. Locate the T-shaped wall-mounting bracket included in the shipping container with the Sunny Boy.
2. Position the wall-mounting bracket against the wall where you intend to mount the Sunny Boy. (Try to mount the Sunny Boy so that the display is approximately at eye-level.) Place a level on the top edge of the bracket, and adjust the position of the bracket until it is level. The bottom of the bracket will be the approximate location of the bottom of the inverter.
3. Using the wall-mounting bracket as a template, mark the wall through at least two holes in the horizontal or vertical portion of the bracket.



**CAUTION:** *Ensure that there are studs in the wall at the places where you intend to drill the mounting-holes. DO NOT use molly or toggle bolts to mount the Sunny Boy to sheet rock or panelling.*

4. Set the bracket aside temporarily, and drill holes at the marks you made on the wall.



Note: The diameter of the holes you drill must match the hardware you are using to mount the Sunny Boy. For example, if you are mounting the Sunny Boy to a concrete wall, the hole diameter should be approximately the same as the outside diameter of the concrete anchors you intend to use. If you are mounting the Sunny Boy on a wall that has wooden studs inside it, the hole diameter should be the correct size for the lag screws you intend to use to mount the bracket. If you are installing the Sunny Boy outside, it is recommended that the lag screws be made of stainless steel, and the diameter of the screws closely match the diameter of the holes in the wall-mounting bracket. Make sure that the screws are long enough to penetrate the wall to a depth of 1 and 1/2".

5. Insert the screws through the holes in the wall-mounting bracket and into the holes you drilled in the wall. Tighten the screws until the bracket is held firmly against the wall (see Figure 3-4). Do not overtighten the screws.

## Mounting the SMA DC-Disconnect (if applicable)

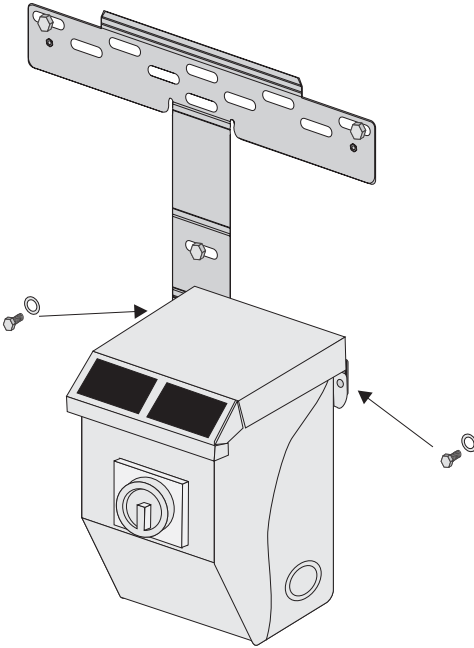


Figure 3-8 Mounting the SMA DC-Disconnect

Attach the SMA DC-Disconnect to the two lower holes of the wall-mounting bracket, using two M6 x 10 screws and washers provided. The teeth of the washers should face towards the wall in order to ensure proper grounding. Tighten the screws to a torque of 44 in-lb (5 Nm).

## Mounting the Sunny Boy

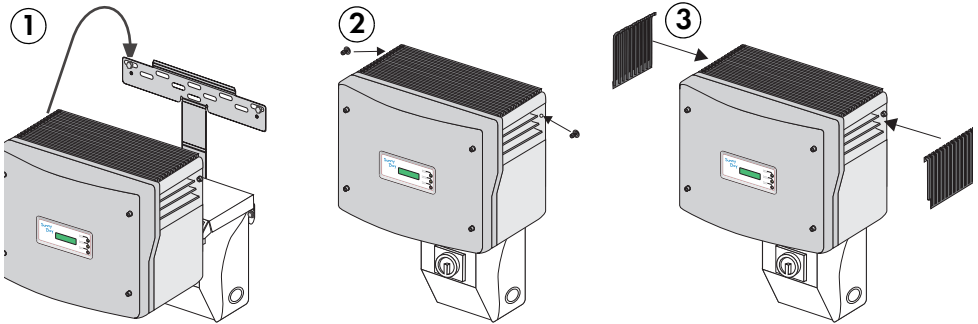


Figure 3-9 Mounting the Sunny Boy

Use the following procedure to mount the Sunny Boy:

1. Carefully lift the Sunny Boy onto the mounting bracket. Hook the Sunny Boy using the enclosure opening in the back plate into the wall bracket (see # 1 in Figure 3-9).



**WARNING: The Sunny Boy weighs 88 lb. (40 kg). To avoid injury, be sure to use proper lifting techniques and secure the help of someone to assist in the unpacking and installation of the inverter.**

2. Inspect the Sunny Boy from both sides to ensure that it sits centered on the wall bracket.
3. Attach the Sunny Boy to the mounting bracket with the two M6 screws and washers provided through holes next to the fan outputs on both sides of the Sunny Boy (see # 2 in Figure 3-9). The teeth of the washers should face towards the wall in order to ensure proper grounding. Tighten the screws to a torque of 44 in-lb (5 Nm).
4. Snap the left and right handle covers, provided in the accessories kit, into the Sunny Boy (see # 3 in Figure 3-9). Look for the L & R on the inside of the fins. They are required to adequately prevent insects entering the unit.



Note: Should the handle covers break, new handle covers can be ordered from SMA America.

5. Carefully verify that the Sunny Boy is firmly mounted in place.

- When the Sunny Boy has been mounted correctly it should look like one of the examples in Figure 3-10.

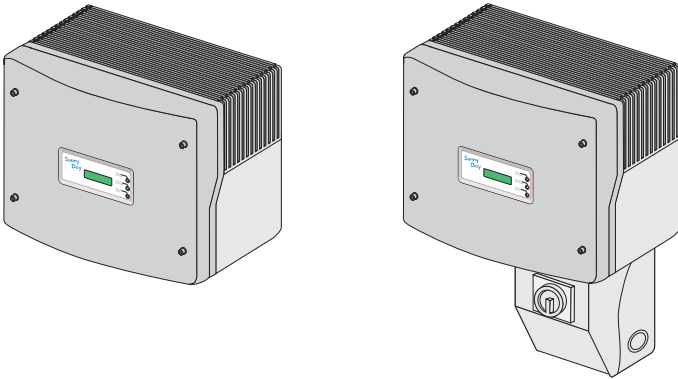


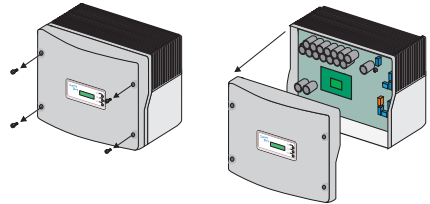
Figure 3-10 Mounted Sunny Boy with and without SMA DC-Disconnect

# Section 4:

## AC Voltage Configuration

### Opening the Sunny Boy

1. Remove the four screws and lock washers from the housing cover and pull the cover forward smoothly.
2. Place the cover, screws, and lock washers aside where they will be out of your way while connecting the wires and cables to the Sunny Boy.



**CAUTION:** Be careful not to misplace the screws or the lock washers, as all four screws and lock washers are required to ensure that the cover is grounded properly and is fully sealed to the case. Handle the cover carefully, as even minor damage to the cover could result in an inadequate seal between the cover and the case, thus allowing moisture to enter the case and damage the sensitive electronic components.



**CAUTION:** Do not install the Sunny Boy during periods of precipitation or high humidity (> 95%). Moisture trapped within the enclosure may cause corrosion and damage to the electronic components.

# Locating Internal Components

Figure 4-1 illustrates the locations of the major internal components of the Sunny Boy. Refer to this illustration as needed to locate particular components.

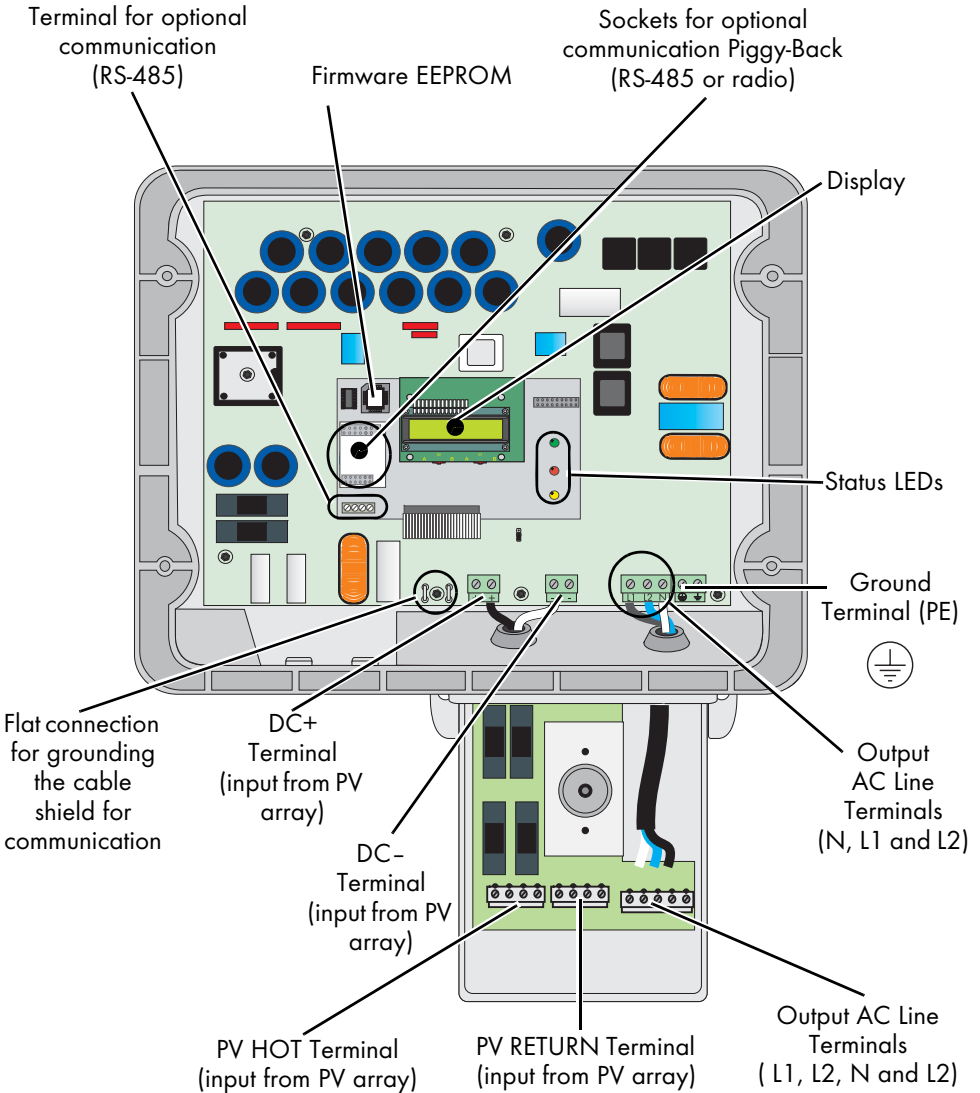


Figure 4-1 Sunny Boy Internal Components



# Automatic Grid Voltage Detection

The Sunny Boy is designed to automatically detect which grid voltage it is feeding if a neutral is connected to the inverter. Depending upon the voltage and phase angle between L1-N and L2-N, the inverter will determine if it is connected to a 208 V or 240 V grid. Table 4-1 lists the voltage and frequency limits for the AC connection.

*Table 4-1 Voltage and Frequency Limits for the AC Connection*

Voltage Range for 208 V nominal, line to line	183 V - 229 V
Voltage Range for 240 V nominal, line to line	211 V - 264 V
Frequency Range	59.3 Hz - 60.5 Hz

The figure Figure 4-2 below illustrates commonly used transformer types. Remember, when connecting the Sunny Boy to the utility, the phase relationship is not important, but the voltage must be compatible.

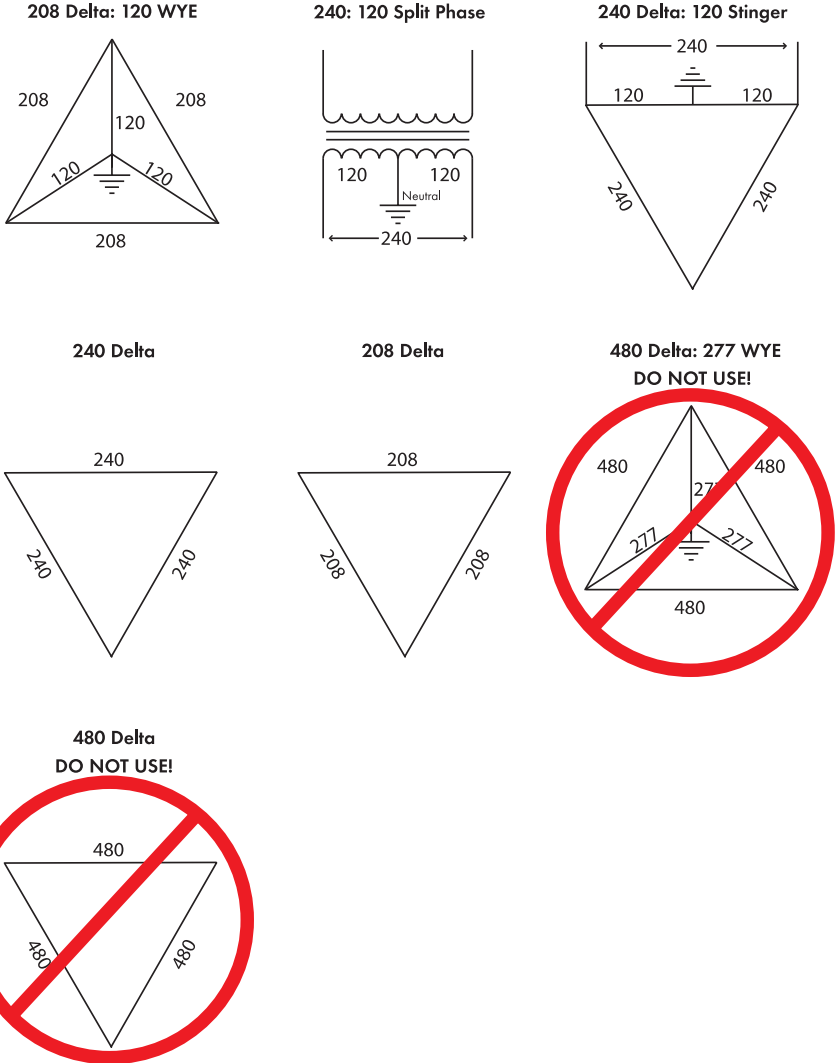
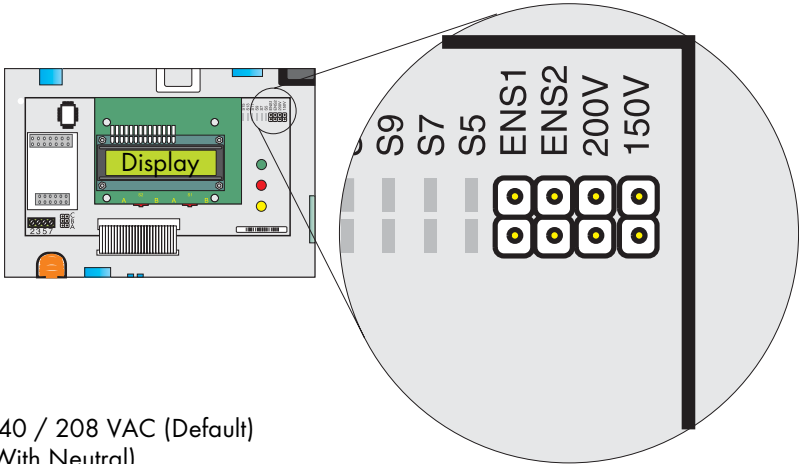



Figure 4-2 Common Utility Voltage Configurations


# Utility Configuration Jumpers


The Sunny Boy comes from the factory pre-configured for utility interconnection with neutral. The Sunny Boy may be reconfigured for grids without neutral by setting the jumpers on the board of the Sunny Boy.


The utility configuration jumpers allow the Sunny Boy to be connected to transformers where the neutral is not present, such as the 208V and 240V Delta, shown in Figure 4-2. Refer to the figure below for a description of jumper settings.



- 

240 / 208 VAC (Default)  
(With Neutral)
- 

208V Delta, No Neutral.
- 

240V Delta, No Neutral.
- 

Fan Test.

Figure 4-3 Utility Configuration Jumpers

The Sunny Boy may be configured for two different grid types commonly found in the U.S. The Sunny Boy is compatible with:

- 208 V AC output
- 240 V AC output

The Figure 4-4 below illustrates the proper jumper settings when connecting to a 240 Delta : 120V Stinger type transformer. Note the order in which inverters are connected to the phases.

### 240 Delta : 120 Stinger

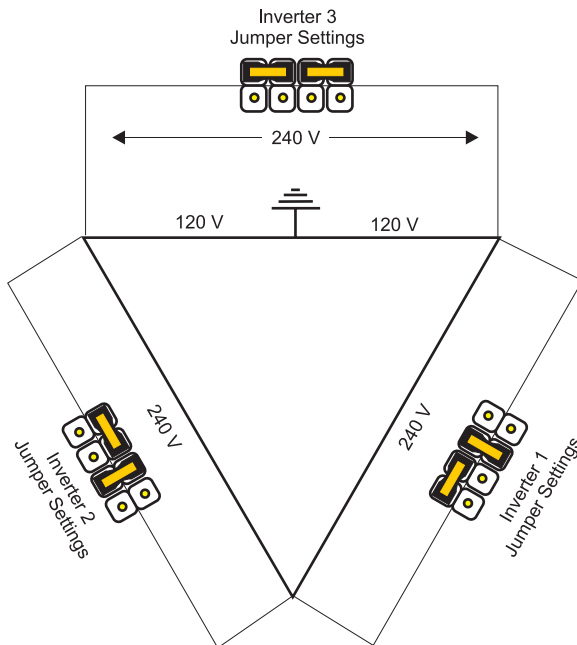


Figure 4-4 Utility Configuration Jumper Examples

# Section 5: Wiring the Sunny Boy

This section provides step-by-step procedures and other information required for wiring the Sunny Boy to the PV array and the utility grid. To complete the installation in a safe and efficient manner, complete the steps in the order that they appear.



**WARNING:** Before connecting or operating the Sunny Boy, read all of the instructions, cautions, and warnings on the Sunny Boy, the PV array and in this *Installation Guide*.



**WARNING:** You must connect the wires that carry the AC voltage from the Sunny Boy to the utility grid and the wires that carry the DC voltage from the PV array to the Sunny Boy in the order described in the procedures in this section. Deviating from these procedures could expose you to lethal voltage that can cause serious injury.



**WARNING:** Always turn OFF all breakers and switches in the PV system before connecting any wires to or disconnecting any wires from the Sunny Boy.

For inverters provided with a fixed AC output:



Note: The AC input and AC output circuits are isolated from the enclosure and system grounding, if required by section 250 of the National Electric Code, ANSI/NFPA 70, is the responsibility of the installer.



Note: The Photovoltaic System Grounding shall be installed per the requirements of sections 690.41 through 690.47 of the National Electric Code, ANSI/NFPA 70, and is the responsibility of the installer.

# Sequence of Connecting

## Wiring without SMA DC-Disconnect



**WARNING:** Always connect the wires to the Sunny Boy in the following sequence:

1. De-energize all energy sources by opening all AC and DC disconnects and/or breakers .
2. Wiring from AC breaker to the AC disconnect switch.
3. Wiring from the AC disconnect switch to the Sunny Boy, follow the procedure on page 5-10 et seq..
4. Wiring from the PV array to the DC disconnect.
5. Wiring from the DC disconnect to the Sunny Boy, follow the procedure on page 5-19 et seq..
6. Turn the DC switches and/or breakers ON.
7. Turn the AC switches and/or breakers ON.

To disconnect the Sunny Boy first turn OFF all AC disconnects and then all DC disconnects. The AC system should always be disconnected before the DC system. After the Sunny Boy is de-energized, disconnect the wiring in the reverse order from above.



**WARNING:** Always wait a minimum of 5 minutes for stored potentials in the Sunny Boy to discharge completely before opening the enclosure.



**WARNING:** All electrical installations must be done in accordance with all local electrical codes and the National Electrical Code (NEC), ANSI/NFPA 70.



**WARNING:** Before connecting the Sunny Boy to the electrical utility grid, contact the local utility company. This connection must be made only by qualified personnel.

## Wiring with SMA DC-Disconnect



**WARNING:** Always connect the wires to the Sunny Boy in the following sequence:

1. De-energize all energy sources by opening all AC and DC disconnects and/or breakers .
2. Wiring from the AC breaker to the AC disconnect switch, follow the procedure on page 5-12 et seq..
3. Wiring from the AC disconnect switch to the Sunny Boy, follow the procedure on page 5-12 et seq..
4. Wiring from the PV array to the SMA DC-Disconnect, follow the procedure on page 5-21 et seq..
5. Wiring from the SMA DC-Disconnect to the Sunny Boy, follow the procedure on page 5-21 et seq..
6. Switch the SMA DC-Disconnect to the "1" position.
7. Turn the AC switches and/or breakers ON.

To disconnect the Sunny Boy, first turn OFF all AC switches and/or breakers and then turn the SMA DC-Disconnect to the "0" position. The AC system should always be disconnected before the DC system. After the Sunny Boy is de-energized, disconnect the wiring in the reverse order from above.



**WARNING:** Always wait a minimum of 5 minutes for stored potentials in the Sunny Boy to discharge completely before opening the enclosure.



**WARNING:** All electrical installations must be done in accordance with all local electrical codes and the National Electrical Code (NEC), ANSI/NFPA 70.



**WARNING:** Before connecting the Sunny Boy to the electrical utility grid, contact the local utility company. This connection must be made only by qualified personnel.

# Bottom view and Dimensions

The DC input from the PV array (via the DC disconnect enclosure) and the output to the AC utility grid connect to the inverter inside the Sunny Boy's case. The internal AC and DC wiring terminals accept a maximum wire size of #6 AWG. Knockouts are provided on the bottom of the Sunny Boy near each of the terminals for the wires to enter the case (see Figure 5-1).

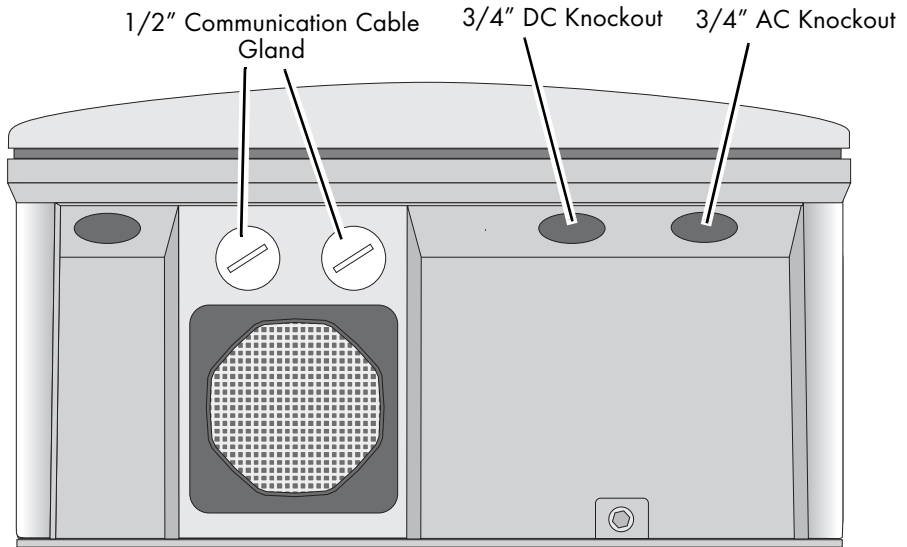


Figure 5-1 Sunny Boy showing wiring knockout locations

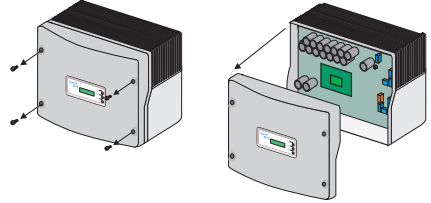


**CAUTION:** The AC and DC knockouts in the Sunny Boy chassis are sized for 3/4-inch rigid conduit. DO NOT enlarge any of these holes, as this may violate the listing and will void the SMA warranty.



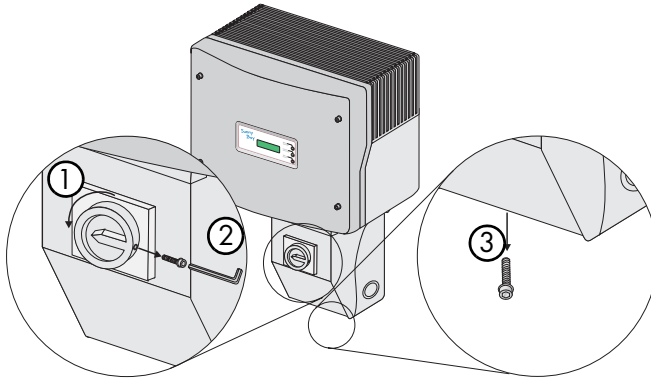
# Opening the Sunny Boy

1. Remove the four screws from the housing cover and pull the cover forward smoothly.
2. Put the cover, the screws and the washers to one side so that they do not get lost.



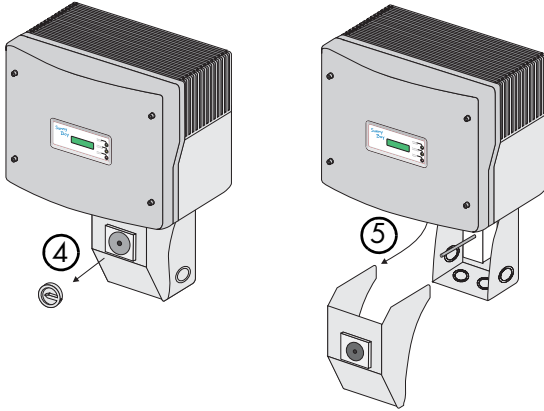
# Opening the SMA DC-Disconnect (if applicable)

1. Turn the SMA DC-Disconnect off by turning the switch to "0".



2. Remove the screw from the underside of the switch handle with the provided allen-key.
3. Remove the M6 x 10 screw and washer from the bottom side of the SMA DC-Disconnect, which fastens the cover.
4. Pull off the switch handle.
5. Remove the cover of the SMA DC-Disconnect by pulling it down and moving it

at the same time carefully forward at its lower edge.



# Wiring the AC Output

This subsection provides complete, step-by-step procedures for wiring the AC output from the Sunny Boy to the utility grid.

## AC Connection Requirements



**WARNING:** All electrical installations must be done in accordance with all local electrical codes and with the National Electrical Code (NEC), ANSI/NFPA 70. Use #6 AWG (maximum), 90 °C (194 °F), copper wire for all AC wiring connections to the Sunny Boy. Voltage drop and other considerations may dictate that larger size wires be used. Use only solid or stranded wire but not fine stranded wire.



**WARNING:** The National Electrical Code (NEC) states that the inverter must be connected to a dedicated circuit, and that no other outlets or devices can be connected to the same circuit. See NEC Section 690-64(b)(1). The NEC also imposes limitations on the size of the inverter and the manner in which it is connected to the utility grid. See NEC Section 690-64(b)(2).



**WARNING:** To reduce the risk of fire, connect only to a circuit provided with the required branch circuit overcurrent device sized in accordance with the National Electrical Code, ANSI/NFPA 70. The maximum size overcurrent device shall not be more than 30 amperes.

The following diagrams show the potential losses in AC wires with respect to the cross-sectional area of the cable and the length of the cable. Use the following diagrams to determine the best wire size to use for your particular installation.

### Sunny Boy SB 3000US

Percent voltage drop for 208 V AC and 240 V AC service

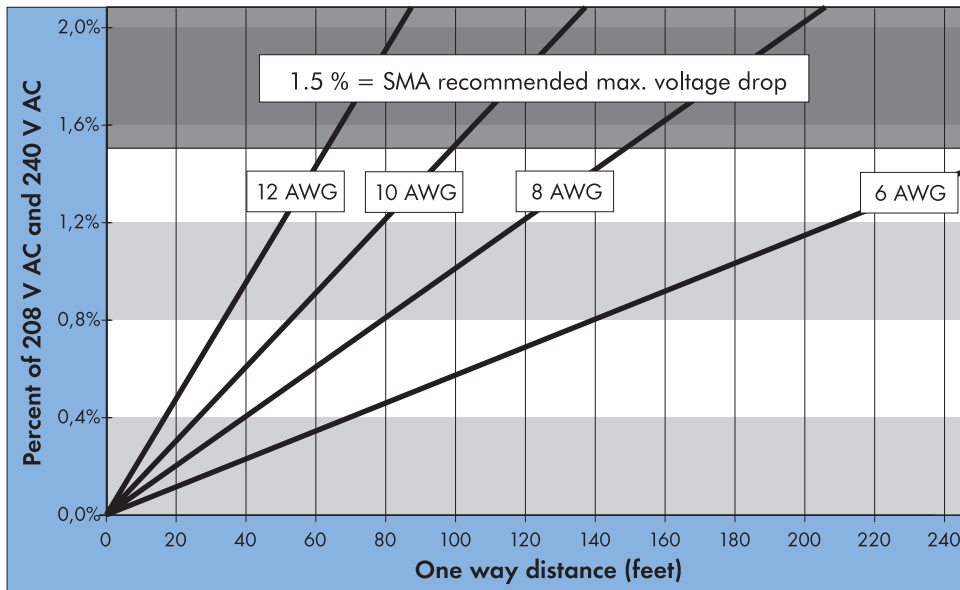


Figure 5-2 SB 3000US: Energy Losses in Various Wire Sizes and Wire Lengths

### Sunny Boy SB 4000US

Percent voltage drop for 208 V AC and 240 V AC service

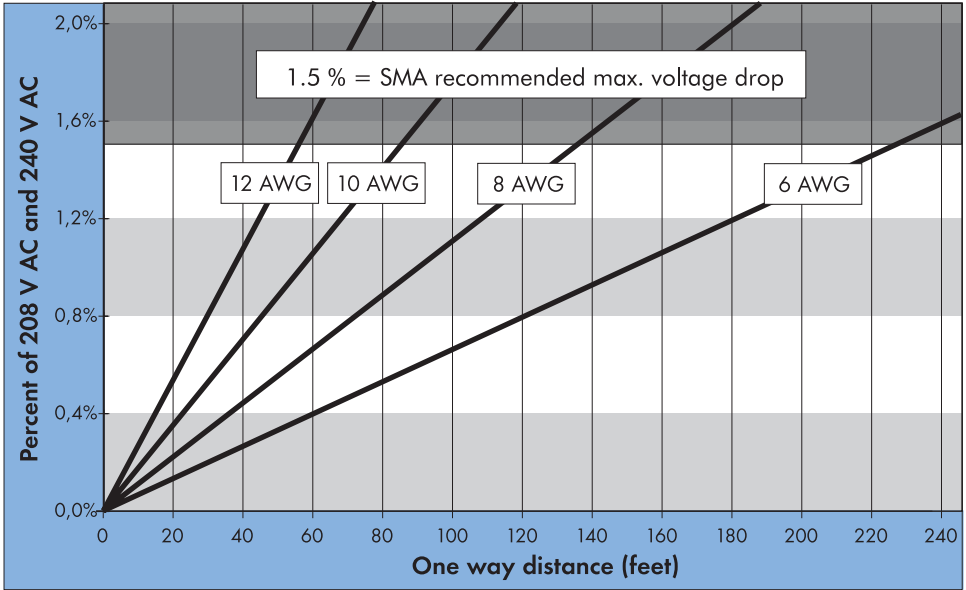


Figure 5-3 SB 4000US: Energy Losses in Various Wire Sizes and Wire Lengths

## AC Wiring Without SMA DC-Disconnect

Use the following procedure to connect the AC wires to the Sunny Boy without the SMA DC-Disconnect:



**WARNING:** You must connect the wires that carry the AC voltage from the Sunny Boy to the utility grid in the order described in this procedure. Deviating from this procedure could expose you to lethal voltages that can cause serious injury and/or death.


1. Turn OFF the main breaker in the main utility breaker panel.
2. Remove interior breaker panel cover.
3. If you are replacing an existing inverter, disconnect the wires for the AC line you are working with in the breaker box.
4. Install a 3/4-inch conduit fitting in the Sunny Boy's AC wiring knockout (the knockout on the right side of the Sunny Boy, as shown in Figure 5-1). Fasten the conduit fitting on the inside of the Sunny Boy with the appropriate locknut.
5. Install 3/4-inch conduit between the main breaker panel and the Sunny Boy's AC wiring knockout.
6. Pull the AC wires through the conduit from the interior of the breaker panel to the interior of the Sunny Boy.



Note: Refer to Figure 5-4 on page 5-11 for steps 7 through 10.



**CAUTION:** Avoid using wire nuts to join any wires together or to make any connections anywhere in the PV system. Wire nuts are a frequent cause of unreliable, resistive connections, and ground faults.

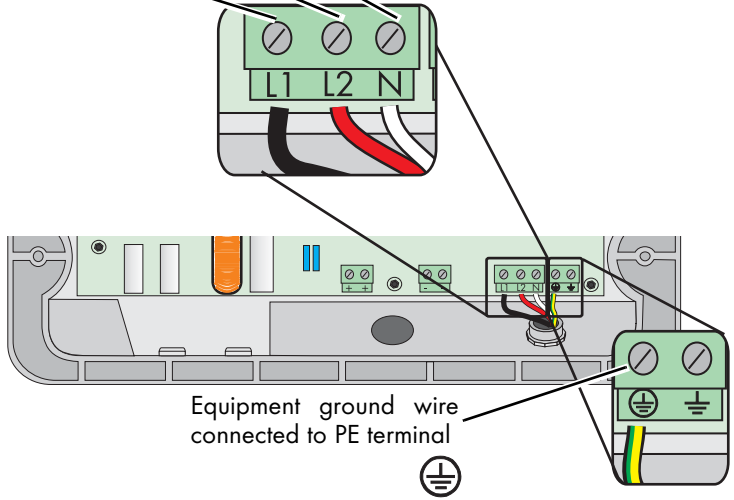
7. Connect the AC equipment-ground wire to the PE terminal labeled  in the Sunny Boy.
8. Connect the L1 (AC line 1 or HOT) wire to the terminal labeled L1 in the Sunny Boy.
9. Connect the L2 (AC line 2) and N (AC line N) wire to the terminal labeled L2 and N in the Sunny Boy.
10. Connect the wires and tighten to a torque of 15 in-lb (1.7 Nm).

11. Verify that all connections are correctly wired and properly torqued.

N wire connected to N terminal

L2 wire connected to L2 terminal

L1 wire connected to L1 terminal



Equipment ground wire  
connected to PE terminal

Figure 5-4 AC Connection Terminals

## AC Wiring With SMA DC-Disconnect

Use the following procedure to connect the AC wires to the Sunny Boy with the SMA DC-Disconnect:



**WARNING:** You must connect the wires that carry the AC voltage from the Sunny Boy to the utility grid in the order described in this procedure. Deviating from this procedure could expose you to lethal voltages that can cause serious injury and/or death.


1. Turn OFF the main breaker in the main utility breaker box.
2. Remove interior breaker panel cover.
3. If you are replacing an existing inverter, disconnect the wires for the AC line you are working with in the breaker box.
4. Install a 3/4-inch conduit fitting in the SMA DC-Disconnect AC wiring knockout (the knockout on the right side of the SMA DC-Disconnect). Fasten the conduit fitting on the inside of the SMA DC-Disconnect with the appropriate locknut.
5. Install 3/4-inch conduit between the main breaker box and the SMA DC-Disconnect's AC wiring knockout.
6. Pull the AC wires through the conduit from the interior of the breaker box to the interior of the SMA DC-Disconnect.



Note: Refer to Figure 5-5 on page 5-13 for steps 7 through 13.



**CAUTION:** Avoid using wire nuts to join any wires together or to make any connections anywhere in the PV system. Wire nuts are a frequent cause of unreliable, resistive connections, and ground faults.

7. Connect the AC equipment-ground wire to the PE terminal labeled  in the SMA DC-Disconnect.
8. Connect the L1 (AC line 1 or HOT) wire to the terminal labeled L1 in the SMA DC-Disconnect.
9. Connect the L2 (AC line 2) wire to the terminal labeled L2 in the SMA DC-Disconnect.



10. Connect the N (AC line N) wire to the terminal labeled N in the SMA DC-Disconnect.
11. Connect the white wire of the SMA DC-Disconnect to the terminal labeled N in the Sunny Boy and the black wire to the terminal labeled L1 in the Sunny Boy.
12. Connect the blue wire to the terminal labeled L2 Sunny Boy.
13. Connect the wires and tighten to a torque of 15 in-lb (1.7 Nm).
14. Verify that all connections are correctly wired and properly torqued.

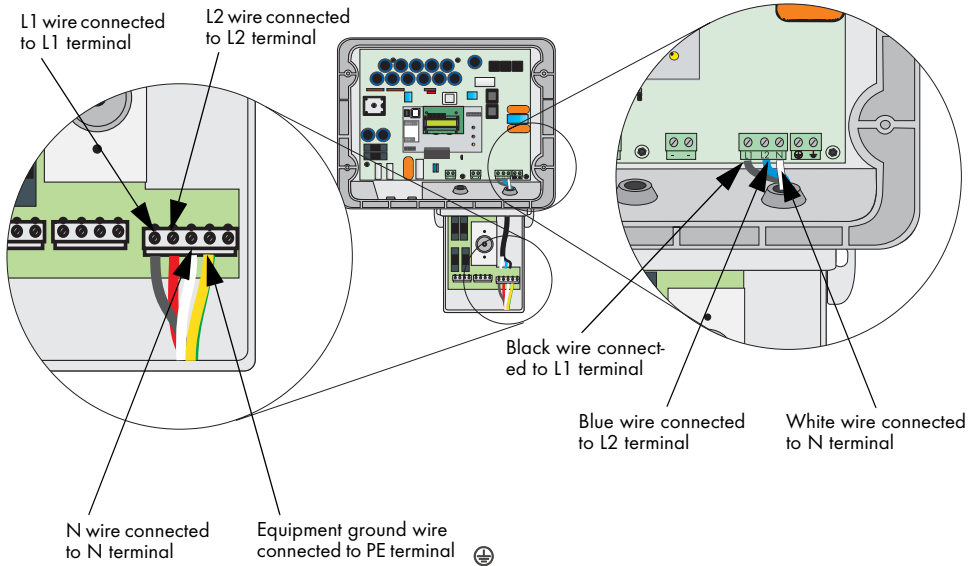


Figure 5-5 AC Connection Terminals

# Wiring the DC Input

This subsection provides procedures for wiring the DC input from the PV array to the Sunny Boy. Figure 5-6 shows a simplified wiring diagram of a PV system.

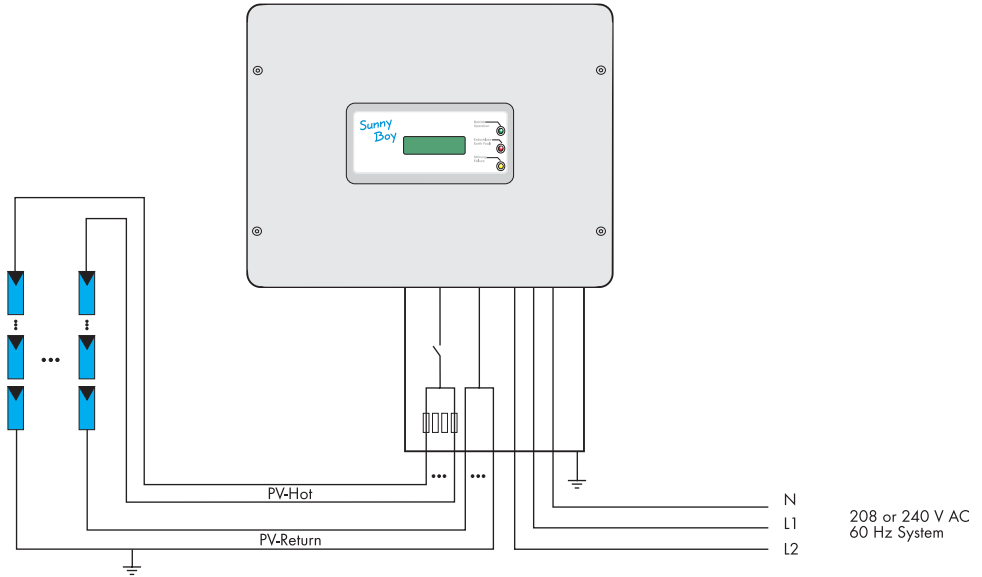


Figure 5-6 Simplified Electrical Wiring Diagram of a PV System

## DC Connection Requirements



**WARNING:** All electrical installations must be done in accordance with all local electrical codes and with the National Electrical Code (NEC), ANSI/NFPA 70. For installation in Canada the installations must be done in accordance with applicable Canadian standards.



**WARNING:** Use #10 AWG to # 6 AWG, 90 °C (194 °F), copper wire for all DC wiring connections to the Sunny Boy. Voltage drop and other considerations may dictate that larger size wires be used. Use only solid or stranded wire but not fine stranded wire.



**WARNING:** The external DC disconnect for the inverter must have a minimum rating of 600 VDC and 30 A continuous. The SMA DC-Disconnect is shipped with four 15 A, 600 Vdc fuses (one for each string). See "Exchanging the PV String Fuses within the SMA DC-Disconnect" on page 9-5 for details.



**Note:** Use the online SMA string size calculator at [www.sma-america.com](http://www.sma-america.com) to determine the correct string configuration (see Figure 5-7). To navigate to the string size calculator, click on the shortcut on the home page.



**Note:** Series fusing may be required depending on the type of PV module used in the system. See NEC 690.9.

SMA America USA - Microsoft Internet Explorer bereitgestellt von SMA v1.1

## String Sizing Program

**Further Instructions**  
 If you are having difficulty with the String Sizing Program, or it is not operating properly, see this [Read Me](#) file for the operating instructions and version history of the String Sizing Program.

By using this String Sizing Program you agree that this Program is for approximating PV module string sizes only. Further you agree that SMA America, Inc. makes no claim as to the actual performance of your system, including, but not limited to, the efficiency or power production of the inverter and PV modules based on the information from this Program. Additionally, you agree that it is the responsibility of the system design engineer to ensure that the PV module selection, array configuration, and associated wiring diagrams are appropriate for the system being considered.

**NOTE:**  
 For an explanation of any particular [entry definition](#) click on the actual term for a glossary.

**Design Options**

<b>Please Select an Inverter</b>	<b>Please Select a PV Manufacturer</b>	<b>Please Select a PV Module</b>
SWR 1800U (120) ▾	Please Select ▾	Please Select ▾

**Inverter Data**

Design Irradiance (W/m <sup>2</sup> ) 1000	P <sub>max</sub> 1800	P <sub>dcmax</sub> 2000
Idc Max 12	Vdc Max 400	Vmp <sub>pt</sub> Max 400
	Vmp <sub>pt</sub> Min 150	V <sub>min</sub> 139

**Module Data**

Module P <sub>nom</sub> (W)	V <sub>oc</sub> (V)	V <sub>mp</sub> (V)	I <sub>sc</sub> (A)	I <sub>mp</sub> (A)
<input type="text"/>	<input type="text"/>	<input type="text"/>	<input type="text"/>	<input type="text"/>
Temperature Coefficient of Voltage	Temperature Coefficient of Current	Temperature Coefficient of Power		
<input type="text"/>	<input type="text"/>	<input type="text"/>		

**Mounting Method**

Please select the [mounting](#) method for the array: Mounted flat against the roof ▾

**Temperature Data**

If you do not know the [hottest](#) and [coldest](#) ambient temperatures that you should select for your area please enter the 5-digit postal ZIP code of the address of the installation here:  and then [Click Here](#)

Select the [coldest](#) record low ambient temperature when sunlight will be on the array       Select the [hottest](#) average high ambient temperature when sunlight will be on the array

Imperial units      Metric units

**Results**

1 string configurations	2 string configurations	3 string configurations	4 string configurations	5 string configurations
<input type="text"/>	<input type="text"/>	<input type="text"/>	<input type="text"/>	<input type="text"/>

\* Some derating possible      \*\* Some derating likely with out adequate [air flow](#)      \*\*\* Install a Sunny Breeze Kit to prevent derating

Lokales Intranet

Figure 5-7 Online String-Configuration Calculator at [www.sma-america.com](http://www.sma-america.com)

## DC Input Grounding

The Sunny Boy comes from the factory configured for negative ground systems. Certain types of PV modules may require that the positive terminal be grounded instead of the negative terminal. To configure the Sunny Boy for positive ground, move the fuse (1) and change the jumper position (2) as shown in the following illustrations.

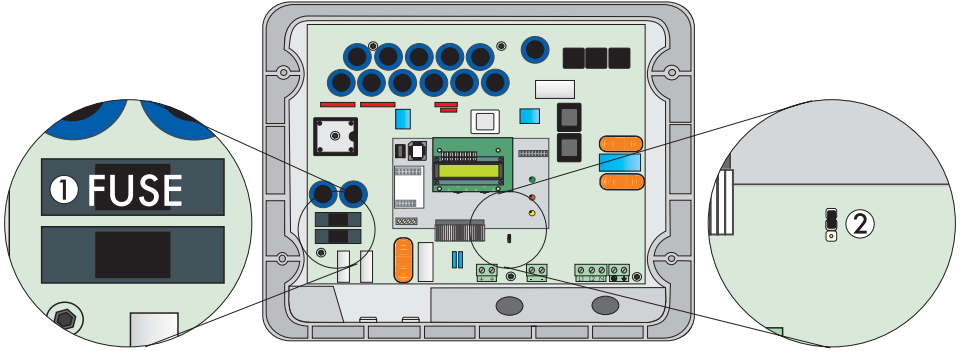


Figure 5-8 GFDI Fuse and Jumper Settings for Negative Ground

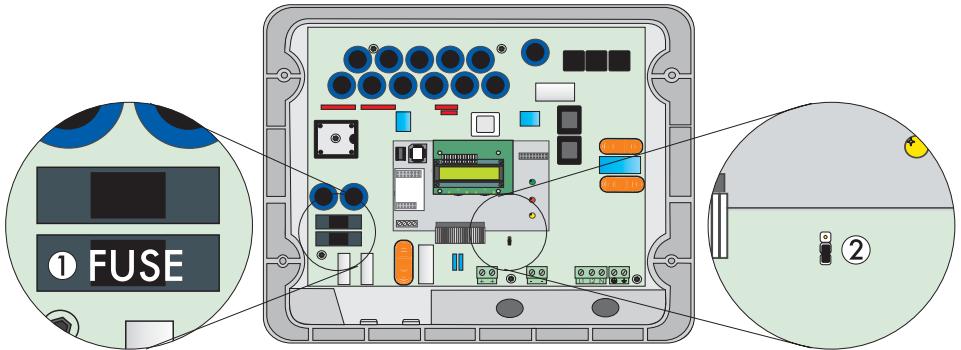


Figure 5-9 GFDI Fuse and Jumper Settings for Positive Ground

## Connecting the DC Wires



**WARNING:** You must connect the wires that carry the DC voltage from the PV array to the Sunny Boy in the order described in the following procedure. Deviating from this procedure could expose you to lethal voltages that can cause serious injury and/or death.



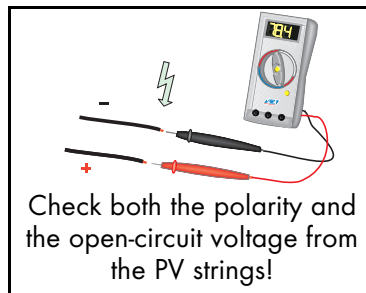
**WARNING:** PV arrays are energized when exposed to light. Use safe working practices when working on PV arrays.



**WARNING:** Always turn OFF *all* AC and DC breakers and switches in the PV system and wait a minimum of 5 minutes for the Sunny Boy to completely discharge before connecting any wires to the Sunny Boy or disconnecting any wires from the Sunny Boy. Failure to do so could expose you to lethal voltages that can cause serious injury and/or death.



**CAUTION:** Verify the polarity and the open-circuit voltage from the PV strings before you connect the DC wires to the Sunny Boy. Applying an open-circuit DC-input voltage that exceeds the maximum DC-input-voltage range will cause irreversible damage to the Sunny Boy and void the warranty! Always verify the DC voltage before connecting the DC-input wires from the PV array to the Sunny Boy. (See the online SMA string size calculator at [www.sma-america.com](http://www.sma-america.com) to determine the correct string configuration as shown in Figure 5-7.)



## DC Wiring Without SMA DC-Disconnect

Use the following procedure to connect the DC wires to the Sunny Boy without SMA DC-Disconnect:

1. Verify that the AC breaker is OFF.
2. Verify that the external DC disconnect is open in the DC disconnect enclosure.
3. Install a 3/4-inch conduit fitting in the Sunny Boy's DC wiring knockout (see Figure 5-1 and Figure 5-10). Fasten the conduit fitting on the inside of the Sunny Boy with the appropriate locknut.
4. Install 3/4-inch conduit between the external DC disconnect enclosure and the Sunny Boy's DC wiring knockout.



Note: Refer to Figure 5-10 for steps 5 through 7.

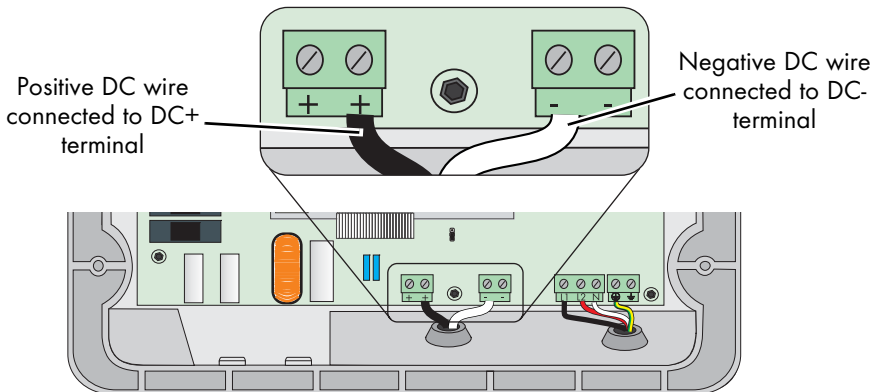


Figure 5-10 DC Connection Terminals


5. Pull the DC wires from the external DC disconnect through the conduit into the interior of the Sunny Boy.
6. Connect the positive DC wire to the terminal labeled DC+ in the Sunny Boy.
7. Connect the negative DC wire to the terminal labeled DC- in the Sunny Boy.



Note: The Sunny Boy has provisions for up to two PV strings. The positive and negative terminal blocks each have two positions, so two pairs of DC-input wires can be connected in parallel.



*CAUTION: Avoid using wire nuts to join any wires together or to make any connections anywhere in the PV system. Wire nuts are a frequent cause of unreliable connections, resistive connections, and ground faults.*

8. Connect the positive and negative DC wires to the appropriate terminals in the external DC disconnect enclosure.
9. Connect the DC equipment ground wire to the PE terminal  labeled in the Sunny Boy.
10. Torque all AC and DC wires in the Sunny Boy to 15 in-lb (1.7 Nm).
11. Verify that all connections are correctly wired and properly torqued.



## DC Wiring With SMA DC-Disconnect

Use the following procedure to connect the DC wires to the Sunny Boy with SMA DC-Disconnect:

1. Verify that the AC breaker is OFF.
2. Install a 3/4-inch conduit fitting in the SMA DC-Disconnect's DC wiring knockout (the knockout on the left side of the SMA DC-Disconnect). Fasten the conduit fitting on the inside of the SMA DC-Disconnect with the appropriate locknut.
3. Install 3/4-inch conduit between the SMA DC-Disconnect and the PV array.

### Negative Grounding

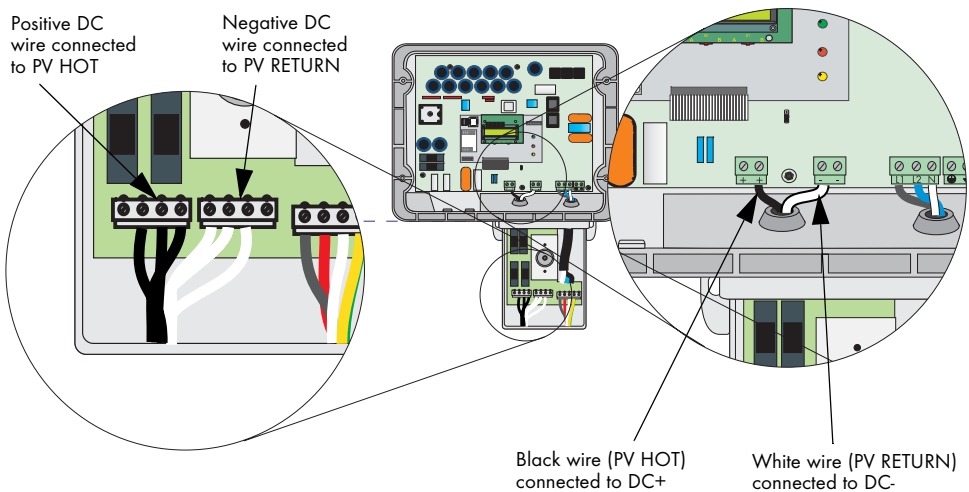


Figure 5-11 DC Connection with negative grounding

1. Pull the DC wires from the PV array through the conduit into the interior of the SMA DC-Disconnect.
2. Connect the positive DC wire to the terminal labeled PV HOT in the SMA DC-Disconnect.
3. Connect the negative DC wire to the terminal labeled PV RETURN in the SMA DC-Disconnect.



Note: The SMA DC-Disconnect has provisions for up to four PV strings. The PV HOT and PV RETURN terminal block each has four positions, so four pairs of DC-input wires can be connected in parallel.



**CAUTION:** Avoid using wire nuts to join any wires together or to make any connections anywhere in the PV system. Wire nuts are a frequent cause of unreliable connections, resistive connections, and ground faults.

4. Connect the black wire (PV HOT) to the terminal labeled DC+ in the Sunny Boy.
5. Connect the white wire (PV RETURN) to the terminal labeled DC- in the Sunny Boy.
6. Torque all wires to 15 in-lb (1.7 Nm).
7. Verify that all connections are correctly wired and properly torqued.

## Positive Grounding

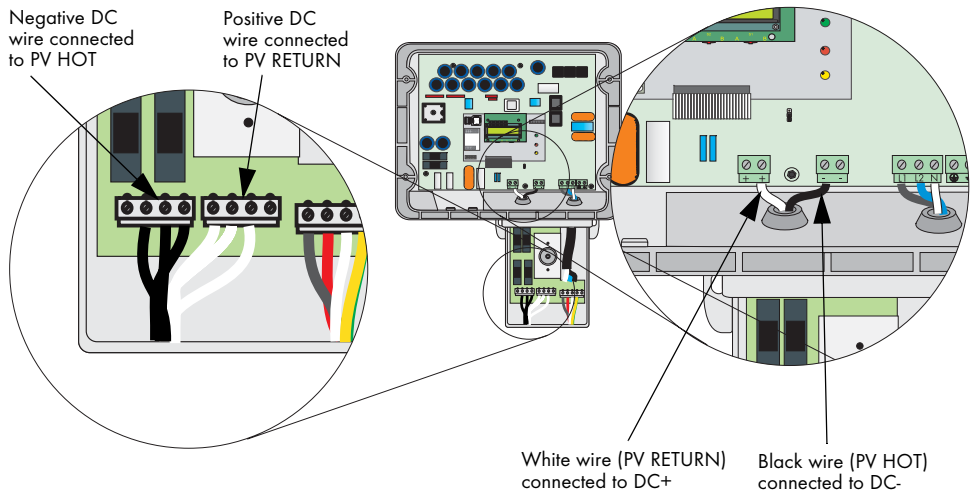


Figure 5-12 DC Connection with positive grounding

1. Pull the DC wires from the PV array through the conduit into the interior of the SMA DC-Disconnect.
2. Connect the negative DC wire to the terminal labeled PV HOT in the SMA DC-Disconnect.

3. Connect the positive DC wire to the terminal labeled PV RETURN in the SMA DC-Disconnect.



Note: The SMA DC-Disconnect has provisions for up to four PV strings. The PV HOT and PV RETURN terminal block each has four positions, so four pairs of DC-input wires can be connected in parallel.



**CAUTION:** *Avoid using wire nuts to join any wires together or to make any connections anywhere in the PV system. Wire nuts are a frequent cause of unreliable connections, resistive connections, and ground faults.*

4. Connect the white wire (PV RETURN) to the terminal labeled DC+ in the Sunny Boy.
5. Connect the black wire (PV HOT) to the terminal labeled DC- in the Sunny Boy.
6. Torque all wires to 15 in-lb (1.7 Nm).
7. Verify that all connections are correctly wired and properly torqued.

# Communication Wiring

Various data-communication options are available for the Sunny Boy. These options are provided in the form of accessory Piggy-Back modules that can be installed and connected either at the time the inverter is installed or at any time thereafter. These modules are not included with the Sunny Boy. Please contact SMA America for information. Refer to the instructions included with the communication module for installation procedures.

The following subsections provide instructions for connecting the various communication cables between a Sunny Boy with a communication module and a personal computer (PC). The connection of a Sunny Boy to a Sunny Boy Control or a Sunny Beam wireless monitoring unit is shown in those respective manuals.

## RS-485 Communication

RS-485 is a communication standard for bidirectional transmission of data between one or more Sunny Boy inverters and a PC.



Note: All Sunny Boy inverters are capable of RS-485 communication. You can mix different Sunny Boy models on the RS-485 communication bus.

### Requirements for RS-485 Communication:

- The Sunny Boy must be equipped with an RS-485 Piggy-Back communication module.
- The cable should be no longer than 1200 meters (4000 feet) with a common shield, and a wire size no smaller than 24 AWG. Use the cable type specified in the RS-485 Tech Note on [www.sma-america.com](http://www.sma-america.com).
- RS-485 cables are available from SMA America.
- Conduit may be required for communication wiring, per local electrical code requirements.

## Connecting an RS-485 Cable

Use the following procedure to install an RS-485 data-communication network:

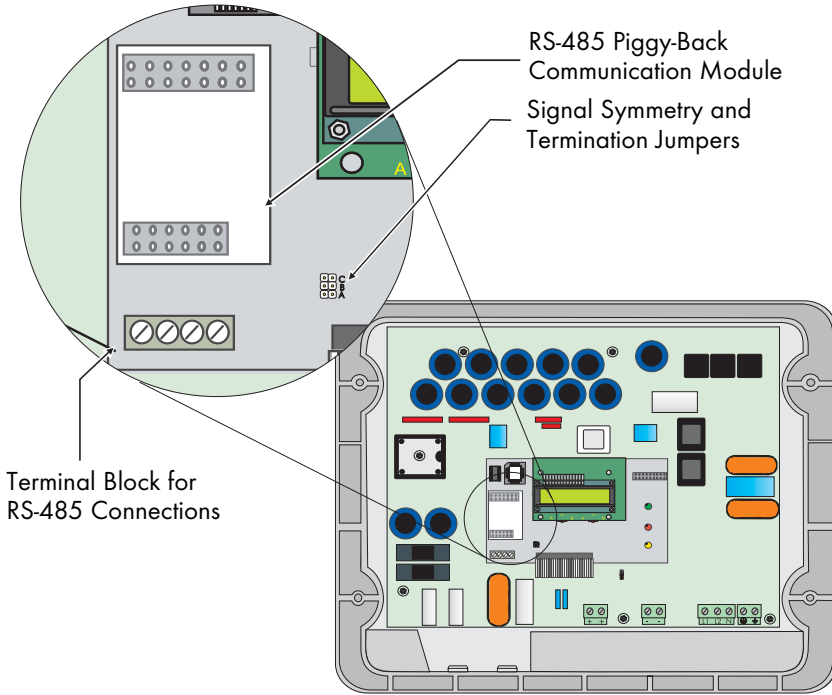


Note: The following steps describe how to connect one or more Sunny Boy inverters to an RS-485 bus. For more information on connecting more than one inverter to an RS-485 bus, please see “Technical Note: RS-485 Communication” in the Tech Updates section of our web site at [www.sma-america.com](http://www.sma-america.com)

1. Connect the three wires of the RS-485 cable to terminals 2, 5, and 7 of the communication terminal block as shown in Figure 5-13. Record the wire color used for each of the terminals. Torque all wires to 15 in-lb (1.7 Nm). Two communication knockouts are provided for connecting multiple Sunny Boys on an RS-485 communication bus.
2. Connect the shield of the cable to the flat connection for grounding in the Sunny Boy (for position see Figure 4-1). Do NOT connect the cable shield to the PC’s DB-9 connector. The shield must remain floating at the PC.
3. Install a jumper in position A, the bottom set of pins on the communication jumper block, to set it for termination. (See Figure 5-13)



Note: The termination of the other end of the RS-485 cable will depend on what type of device you’re connecting to. For detailed information, please see the Tech Updates section of our web site at [www.sma-america.com](http://www.sma-america.com) There you will find technical information on all of the Sunny Boy communication options.



Jumpers B & C Installed: Installing these jumpers puts 680 Ohm symmetry resistors between pin 2 (Data+) and +5V and between pin 7 (Data-) and Ground.

Jumper A installed: Installing this jumper puts a 120 Ohm termination resistor across pin 2 (Data+) and pin 7 (Data-).

**NOTE:** Install jumpers B & C after the inverter is on the RS-485 bus and only if symmetry of the signal is required. (Symmetry is already provided by the Sunny Boy Control and Sunny WebBox products).

Install jumper A only, if the inverter is on one of the ends of the RS-485 bus.

Figure 5-13 Detail of RS-485 Termination and Jumper Settings

## RS-485 Pinouts

2 - A (+) (Data+)

7 - B (-) (Data-)

5 - SR (Signal Ref.)

# Closing the Sunny Boy

When you have finished connecting the AC-output wires, the DC-input wires, and the communication cables, re-check all your connections to ensure that everything is in the right place and that all connections and knockout fittings are secure and properly torqued. Check all of the knockout fittings on the bottom of the Sunny Boy to ensure that they provide a weather-tight seal.



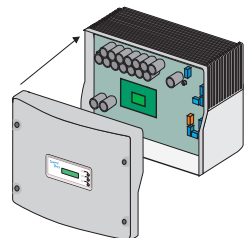
**WARNING:** Never install the Sunny Boy during rain or very damp conditions. Because the Sunny Boy has a rain proof enclosure, you must be sure no moisture is trapped inside the enclosure when securing the lid.



**CAUTION:** Be careful not to misplace the screws or the lock washers that attach the cover to the case, as all four screws and lock washers are required to ensure that the cover is grounded properly and is fully sealed to the case. Handle the cover carefully, as even minor damage to the cover could result in an inadequate seal between the cover and the case, thus allowing moisture to enter the case and damage the sensitive electronic components.

Use the following procedure to replace the cover on the Sunny Boy:

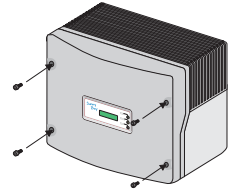
1. Check wire routing to ensure that no wires can interfere with proper sealing of the cover and that no pressure will be exerted on the connections when the cover is replaced.
2. Locate the four screws and lock washers you removed to take the cover off the Sunny Boy. Make sure you have all four screws and lock washers, as all of this hardware is necessary to ensure proper grounding and a weather-tight seal.
3. Check the seal on the inside of the cover to ensure it is undamaged and in the correct position.
4. Carefully position the cover on the front of the Sunny Boy so that the four holes in the cover are aligned correctly with the four threaded holes in the case.





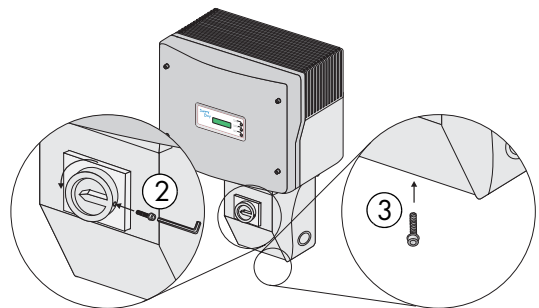
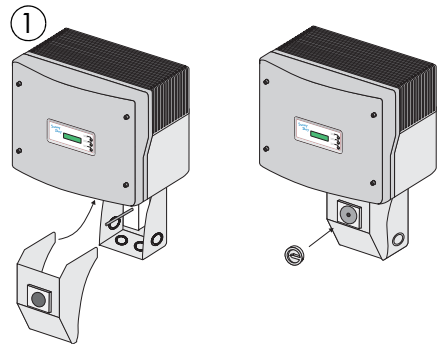
Note: Be sure when reinstalling the four screws that the lock washers are installed correctly. The teeth of the washers should face towards the LID.

5. While holding the cover in place, carefully insert the four screws with lock washers through the holes in the cover into the threaded holes in the case and turn them until they are finger-tight. Be careful not to cross-thread any of the screws. Do not use power tools to start the screws.
6. Verify that the cover is in the correct position and that the seal is in place between the case and the cover.
7. Tighten the cover screws to a torque of 79 lb-in. (9 Nm.)



## Closing the SMA DC-Disconnect (if applicable)

1. Position the cover onto the SMA DC-Disconnect and insert the switch handle into the cover.
2. Turn the switch to the "0" position and tighten the screw on the right side of the switch with the provided allen-key.
3. Install the M6 x 10 screw and washer on the bottom side of the SMA DC-Disconnect, to fasten the cover. The teeth of the washer must face toward the cover in order to ensure proper grounding. Tighten the screw to a torque of 44 in-lb (5 Nm).





# Section 6: Commissioning



**WARNING:** Follow the steps in the commissioning procedure in the order they are presented. Deviating from these procedures could expose you to lethal voltages that can cause serious injury and/or death.



**WARNING:** never insert the GFDI fuse into the Sunny Boy without the fuse holder base. Lethal voltage may still be present and electric shock may result.



**CAUTION:** Follow the steps in the commissioning procedure in the order they are presented. Deviating from these procedures could cause irreversible damage to the Sunny Boy and void the warranty.

All Sunny Boy inverters have a sophisticated system for detecting and responding to PV array ground faults as required by NEC Section 690.5. The PV array normally operates in a grounded configuration. The array's negative conductor is connected to the grounding system inside the inverter as a part of the UL1741 Listed ground-fault detection system. The GFDI protection is active whenever there is sufficient DC voltage to turn on the LCD in the Sunny Boy.

To commission the Sunny Boy, follow these simple instructions:

1. Make sure any covering placed over the PV array is removed.
2. Connect the grid voltage to the Sunny Boy by switching on the main AC circuit breaker in the main utility panel.
3. Switch the external DC disconnect to the "on" position or switch the SMA DC-Disconnect to the "1" position. If there is sufficient sunlight available, the Sunny Boy will enter the "Wait" mode at this time and the green LED will begin to blink.
4. If no AC faults are detected, the "Wait" mode will end after approximately 10 seconds and the green LED will stop blinking, remain on and the Sunny Boy will begin to operate normally. If an AC fault was registered, the Sunny Boy will wait 5 minutes prior to starting.



Note: If there is a ground fault in the array, the „EarthCurrentMax“ error message will be displayed and the GFDI fuse may clear. If this error message is encountered, switch off the DC and AC disconnects to the Sunny Boy and troubleshoot the array.



Note: If the Sunny Boy is not operating as expected after the commissioning procedure has been completed, refer to Section 7: Displays and Messages and to Section 8: Troubleshooting.



Note: If there is adequate solar irradiation and the resulting PV input voltage is sufficient, the Sunny Boy will automatically begin feeding power to the utility grid.



Note: The Sunny Boy operates from the power produced by the PV array and is designed for minimal internal DC-power consumption. The maximum power that the Sunny Boy will consume in normal operation is 7 W.



Note: Anytime the AC power is disconnected from the inverter, either manually or as a result of an AC disturbance, the inverter will wait 5 minutes after the AC power has been restored to reconnect. When servicing the inverter, always disconnect the DC first, then the AC.

# Section 7: Displays and Messages

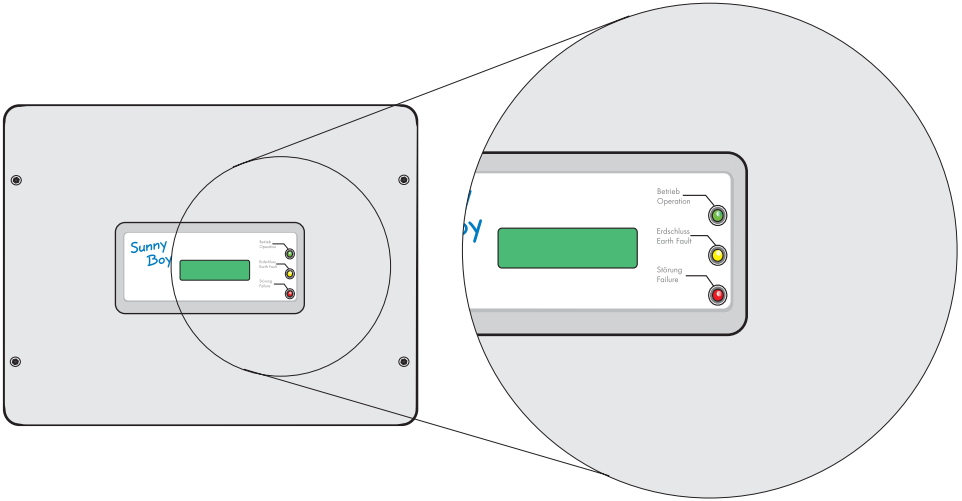
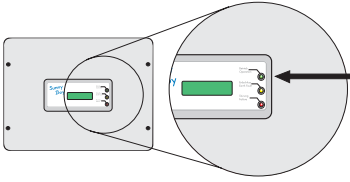


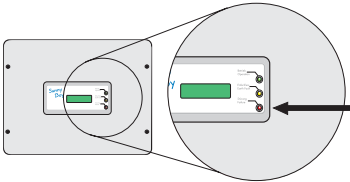
Figure 7-1 The Sunny Boy LED Status Indicator

Each Sunny Boy inverter comes equipped with three LED status indicators. (Shown in Figure 7-1) This allows the user to determine the operating mode of the inverter at a glance.

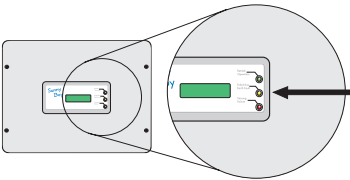
The basic definitions of the indicator lights are as follows:



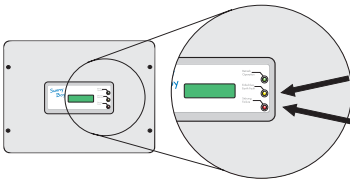
The green LED indicates normal operation of the inverter.



The red LED indicates the status of the GFDI fuse, located inside the Sunny Boy. If this LED is lit, the GFDI fuse has cleared or is not present.



The yellow LED indicates that there is a fault of some kind, either inside the inverter or somewhere in the PV system. The inverter will not operate until the fault has been corrected. The different error codes and possible causes are described later in this section and in Section 8: "Troubleshooting".



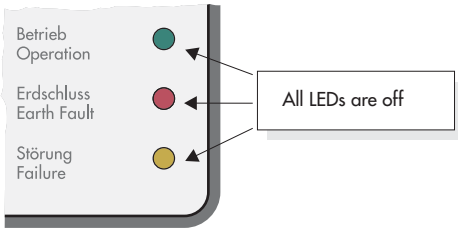
The red and yellow LEDs combined indicate that the inverter has detected a ground fault. The ground fault must be located and cleared and the inverter reset manually. The inverter will not restart automatically after detecting a ground fault. The ground fault may also clear the GFDI fuse.



Note: All GFDI faults are disabled in turbine mode.

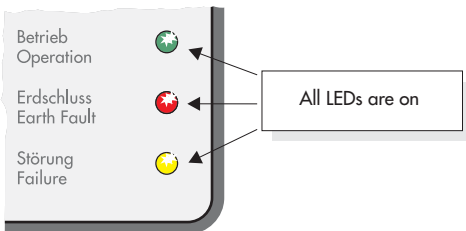
# LED Operation Indicators

## Standby (Night)



The inverter is in standby mode because the DC input voltage is too low for operation or no DC is connected.

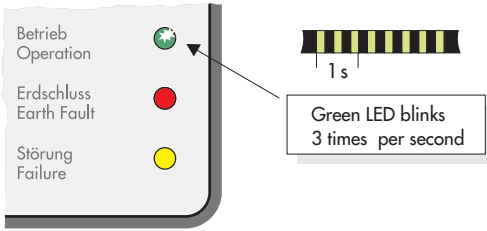
## Initialization



The inverter is initializing. The power from the array is sufficient to initialize control power, but not yet powerful enough to begin normal operation. Data transmission is not possible during initialization.

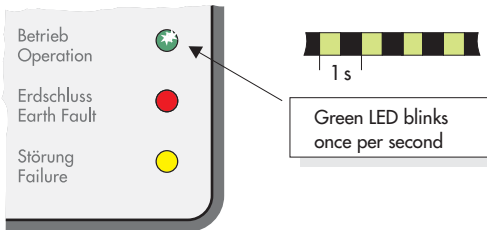
Occasionally, during inclement weather or low irradiation, the LEDs may all turn on at once and then go off again. This indicates that the inverter is trying to initialize but the power available from the array is not sufficient for normal operation. This is not a malfunction.

## Starting



The inverter has sufficient DC voltage to initialize its internal systems, but not enough to begin normal operation. Typically, the calibration lasts less than 10 seconds and then the inverter resumes normal operation. DC voltage must remain greater than the PV Start Voltage setting for the period of the T-Start parameter setting. (See Section 8) The inverter will also show this status if it has been manually set to STOP mode.

## Waiting

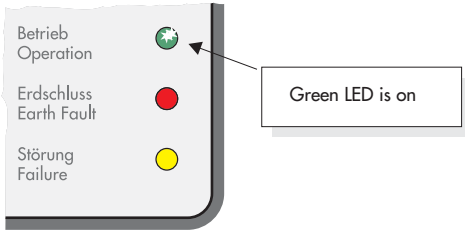


The inverter has determined that there is enough DC voltage to operate and is checking the condition of the grid prior to connecting.



**Note:** If the inverter fails to connect to the utility grid 3 times in a row, it will wait 10 minutes before the next attempt. In case of a grid failure, the Sunny Boy will wait 5 minutes before it tries to reconnect to the grid.

## Normal Operation



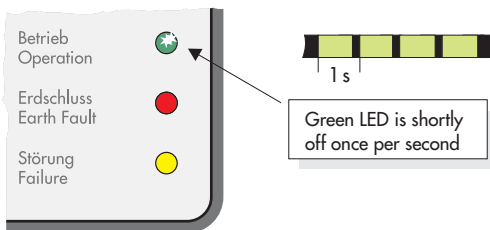
The inverter is feeding the utility grid in either “MPP”, “Constant Voltage” or “Turbine” mode.

“MPP” Mode: The Sunny Boy adjusts the voltage and current from the PV array to obtain the greatest PV output power.

“Constant Voltage” Mode: The voltage from the PV array has been set to a fixed value. This value is set by using the Sunny Boy Control or the Sunny Data software. (The parameter name is “V-Const”) This mode is typically used for fuel cell or micro-hydro applications.

“Turbine” Mode: This mode is used for DC rectified motor sources with a dynamic power curve (typically wind turbines). The user can set the magnitude and slope of the curve to match a particular alternator.

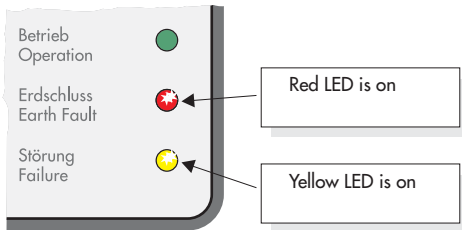
## Derating



The Sunny Boy is designed to operate at full rated power up to 45°C ambient temperature. The inverter will continue to operate beyond 45°C and will derate as required to maintain safe internal component temperatures. Unnecessary derating can also be caused by blocked fan intakes. For this reason the fan intakes should be inspected often and cleaned when necessary.

# LED Fault Indicators

## Ground Fault

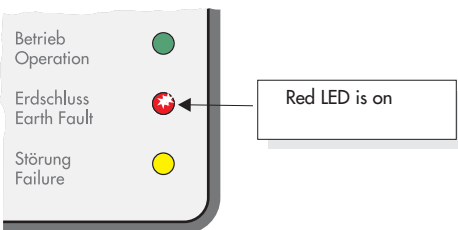


The inverter has detected a ground fault in the PV system and has disconnected from the grid. The ground fault must be located and fixed before the inverter will resume normal operation. The inverter will not restart automatically. Refer to Section 8: Troubleshooting for information on solving PV array ground faults.



Note: All GFDI faults are disabled in turbine mode.

## Cleared GFDI Fuse



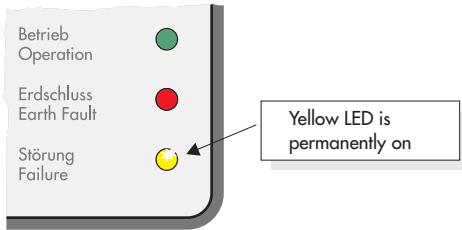
The GFDI fuse located in the fuse holder on the circuit board of the inverter has been cleared or is not present. This fuse is used to protect the PV system in the event of an array ground fault. Troubleshoot the PV array for ground faults prior to replacing this fuse.



**CAUTION:** For continued protection against the risk of fire, replace the GFDI fuse with fuses of the same type and rating only. The Sunny Boy is shipped with a Littelfuse KLKD 1 Amp, 600V AC/DC type fuse.



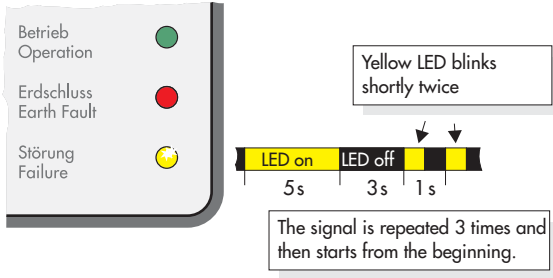
## Control System Fault



The yellow LED remains lit.

The Sunny Boy has detected a fault within the internal monitoring systems. When the inverter detects a fault of this kind it will no longer connect to the utility grid. To correct this, the inverter must be serviced by a qualified service technician. Contact SMA America for assistance.

## Grid Failure



The yellow LED is on for 5 seconds, out for 3 seconds and then blinks twice. The code is repeated 3 times. This code sequence will repeat as long as there is a grid fault condition.

This code can be caused by any of the following conditions:

- Low Grid Voltage (<Vac Min)
- High Grid Voltage (>Vac Max)
- Low Grid Frequency (< fac Min)
- High Grid Frequency (>fac Max)
- Rapid change in grid frequency or voltage

Check the condition of the grid at the AC terminal blocks within the Sunny Boy. Also inspect the AC disconnect between the Sunny Boy and the grid.

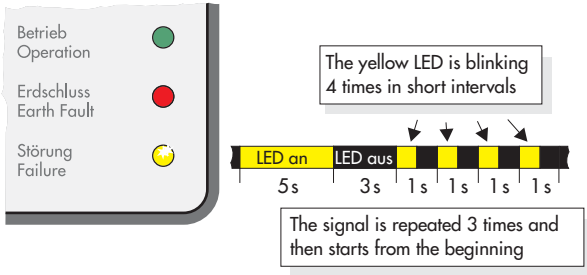


**CAUTION:** Have the grid connection to the Sunny Boy checked only by qualified personnel.



**WARNING:** If opening the Sunny Boy is required, do so only after disconnecting all sources of power and waiting at least 5 minutes.

## High DC Input Voltage



The yellow LED is on for 5 seconds, remains off for 3 seconds and then blinks 4 times. The code is repeated 3 times. If the condition remains the code will continue to be sent.

The inverter has detected a DC input voltage that is too high for safe operation.

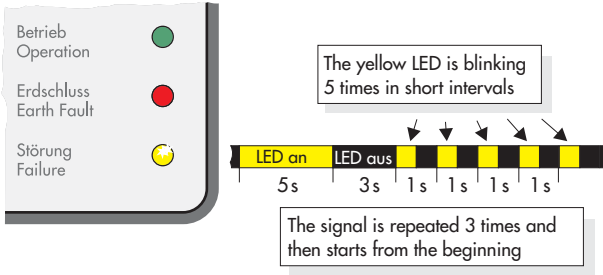


**WARNING:** Disconnect the PV array from the Sunny Boy immediately. High DC input voltage can permanently damage the inverter. Have the input source checked by a qualified technician.



**WARNING:** Always test the DC voltage at the DC disconnect switch before energizing the Sunny Boy.

## Inverter Fault



The yellow LED is on for 5 seconds, remains off for 3 seconds and then blinks 5 times. The code is repeated 3 times. If the condition remains the code will continue to be sent.

The inverter has encountered an internal fault that prohibits normal operation and will most likely require servicing.

Contact SMA America for assistance.

# Status Messages on the LCD

The Sunny Boy comes standard with the “Sunny Display” LCD in the lid.

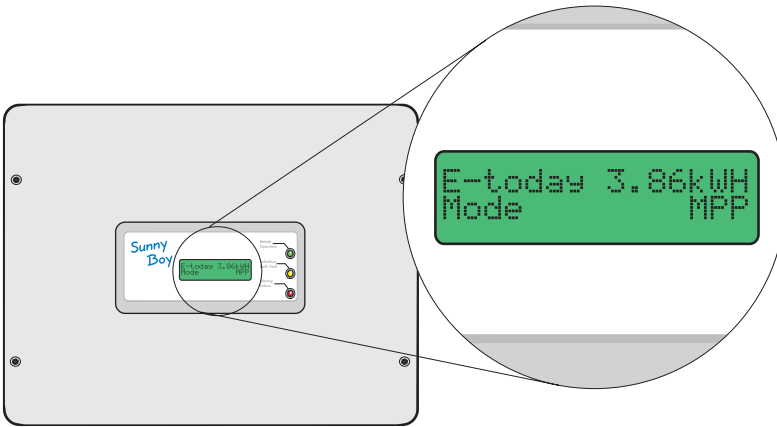


Figure 7-2 Sunny Boy LCD

## Activation of the Backlight

The backlight is activated by knocking twice on the lid. Additional knocks will scroll through the display messages.

The backlight shuts off automatically after 2 minutes.

## INIT Messages

The following messages are displayed during initialization of the inverter:

**Sunny Boy**  
**WR4kUxxx**

Sunny Boy Inverter Model #

The installed firmware versions of the control system processor (BFR) and the current regulator processor (SRR) are displayed after 6 seconds.

**BFR Version x.xx**  
**SRR Version x.xx**

Firmware Version #'s

## Operation Messages

The LCD continuously scrolls through all relevant operating data. Each message (MSG) is displayed for 5 seconds, after all messages have been displayed the LCD repeats from the beginning.

MSG #1 "E-Today" (total energy produced on this day) is displayed together with the current operating mode:

```
E-today 3.86kWh
Mode      MPP
```

Energy produced today  
and current operating mode

MSG #2 Nominal grid voltage configuration and actual line-to-neutral voltage measurements:

```
Gridtype - 208V
L1 120V L2 120V
```

Gridtype and phase-to-neutral volt-  
ages

MSG #3 Actual AC power output and DC input voltage:

```
Pac      3200W
Vpv      380V
```

AC power  
and DC voltage

MSG #4 Accumulated energy yield of the device since installation and the total operating hours:

```
E-total 724.4kWh
h-total   512h
```

Total energy yield  
and total operating hours



Note: The screens may also be scrolled through manually by repeatedly knocking on the lid of the inverter. Each knock advances the screen to the next message.

## Fault Messages

In case of a fault condition the LCD switches to “Fault” mode and the backlight is activated.

The upper display line indicates one of the three following failure types:

- Disturbance

For example, this Disturbance message would be displayed if the Sunny Boy detected a problem with the frequency of the utility grid. The message would clear automatically once the condition was corrected. Disturbances are typically caused by a measured value exceeding a predetermined limit.

The display will show the value of the error (at:) as well as the present value for the particular parameter (present:).

**Disturbance**  
**Fac-Bfr**

Disturbance Message

**at: 59.29Hz**  
**present: 59.30Hz**

Disturbance Details

- Warning

For example, this Warning message would be displayed if the GFDI fuse was open or cleared. Typically, Warning messages indicate a system condition that should be investigated. Warning conditions will not preclude inverter operation.

**WARNING**  
**GFDI Fuse Open**

Warning Message

- Error

For example, this Error message would be displayed if the inverter detected a problem with the internal ROM. An Error condition will prevent the inverter from restarting until the condition is cleared.

**Error**  
**ROM**

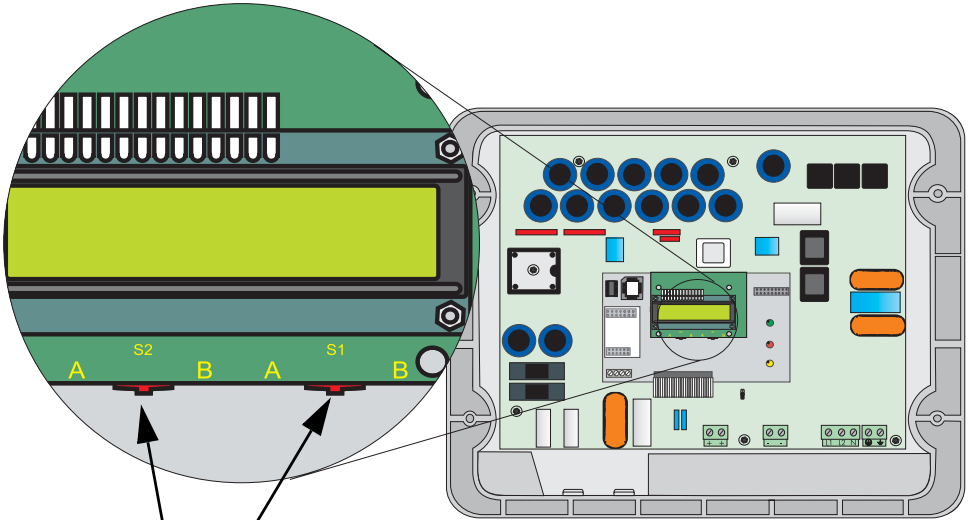
Error Message



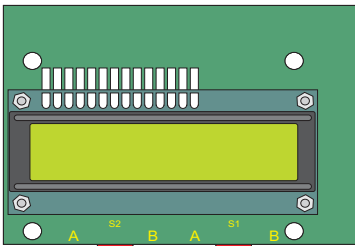
Note: Each fault message is displayed for 5 seconds. After 5 seconds, the LCD will once again scroll through its normal operating screens. The fault condition will be included in the series of screens until the condition is cleared.

# LCD Language Selection

The Liquid Crystal Display (LCD) has the ability to display information in one of four different languages. Setting the language is performed by using a pair of slide switches located along the bottom edge of the display PC board. The language choices are: Spanish, English, French and German. Use the diagram and chart below for setting the display language.



Position of the switches for configuration of the LCD language



A ↔ B A ↔ B  
Switch S2 Switch S1

Language	Switch S2	Switch S1
German	B	B
English	B	A
French	A	B
Spanish	A	A

Figure 7-3 Language Selection Switches for the LCD



# Communication Options

Sunny Boy inverters are available with different communication options depending upon your needs. The Sunny Boy series allows for both internal and external metering options to be used simultaneously. These options may also be installed in the field by qualified personnel.

## PC Applications and Monitoring

Sunny Boy operating data may be transmitted to, and stored in, a remote system or PC by one of the following methods:

- RS-485: Data from up to 50 inverters is sent via RS-485 cable to a remote control unit or to a PC. Maximum length of cable is 4000' (1200 m). An RS-485/232 converter may be necessary for communication with a PC.
- Wireless: Data from up to 4 inverters is sent to the Sunny Beam by means of an antenna installed in the Sunny Boy. Communication distance is dependent upon obstructions and the radio environment.

## Sunny Data Control

This PC application is used to communicate with the Sunny Boy Control products. It can be used to monitor multiple inverters, download historical system data and adjust system parameters. It can also send system data to the Sunny portal server via analog modem or ethernet.

## Sunny Boy Control Plus

The Sunny Boy Control Plus provides continuous monitoring and data acquisition of your PV system.

## Sunny Beam

The Sunny Beam is a wireless desktop system monitor. It works together with the Sunny Beam Piggy-Back card and provides wireless communication with up to four Sunny Boys in the PV plant. Its graphical display shows a bar chart of actual power production as well as daily and total-energy-yields in a single window.

## Sunny WebBox

The Sunny WebBox is a link between the PV-plant and the operator or owner. The direct connection to the Sunny Portal via internet gives you entirely new possibilities for data acquisition and evaluation as well as the visualization on a PC with an internet browser. No additional software needs to be installed.

## **Sunny SensorBox**

The Sunny SensorBox is a useful extension for the Sunny Webbox which can monitor weather conditions. It is equipped with an integrated insolation and temperature sensor and can be connected to numerous additional sensors for the measurement of module temperature, ambient temperature, wind speed, humidity and more.

## **Sunny Portal**

The Sunny Portal is a high performance interface from SMA for the monitoring and presentation of your system on the Internet. Details can be obtained directly from [www.SUNNY-PORTAL.com](http://www.SUNNY-PORTAL.com).

For more information and assistance in choosing the right data option for your system, please visit the SMA America web site.

# Measuring Channels and Parameters

The communication options support a number of measuring channels and messages from the Sunny Boy inverters.

The following abbreviations are used:

BFR Betriebsführungsrechner (Sequential Control System)

SRR Stromregelungsrechner (Current Control System)

The BFR and SRR are redundant processor control systems for the utility protection functions.

## Measuring Channels

V <sub>pv</sub> :	PV input voltage
V <sub>pv</sub> Setpoint:	MPPT DC voltage target
I <sub>ac</sub> :	Grid current
V <sub>ac</sub> :	Grid voltage L1 - L2
V <sub>ac</sub> L1:	Grid voltage L1 - N
V <sub>ac</sub> L2:	Grid voltage L2 - N
f <sub>ac</sub> :	Grid frequency
P <sub>ac</sub> :	Power fed to grid
V <sub>pv</sub> -PE:	PV-voltage to earth (For troubleshooting PV ground faults)
Temperature:	Temperature measured at IGBT module
I <sub>pv</sub> :	PV current
Max Temperature:	Max temperature measured at IGBT
Max V <sub>pv</sub> :	Max PV input voltage
I-dif:	Error current
V <sub>fan</sub> :	Fan voltage
E-Total:	Total energy yield
h-Total:	Total operation hours

h-on:	h-on indicates how long sufficient DC voltage has been applied to the Sunny Boy and the Sunny Boy has been active including the time it was not able to feed to the utility with respect to low DC voltage or operation in stop mode.
Power On:	Total system start-up counter
Event-Cnt:	Event counter
Serial Number:	Serial number of the Sunny Boy
CO2 saved:	Amount CO2 saved in operation time
Mode:	Current operating mode
Grid Type:	Type of grid the Sunny Boy is connected to
Error:	Description of fault

## Operating Mode

Stop:	Manual system stop
Offset:	Offset calibration of the electronics (at start-up)
Waiting:	PV voltage is not high enough to start
Grid monitoring:	Synchronizing to grid (at start-up)
MPP-Search:	MPPT range test (at start-up)
MPP:	Sunny Boy is in MPP mode (normal operation)
V-Const:	Sunny Boy is in constant voltage MPP mode
Derating:	Reduction of the grid feeding power due to abnormal heatsink temperatures
Disturbance:	Grid related fault condition, self clearing
Error:	Inverter fault, user interaction required
Warning:	System warning advising further investigation

# Sunny Boy Operating Parameters



**CAUTION:** The changing of operating parameters should only be performed by qualified personnel. Changes to factory preset parameters may adversely effect inverter operation and performance.

Table 7-1 Operating Parameters of the Sunny Boy

Name	Unit	Range	Default	Password Level	Description
Antisland-Ampl*	deg	0 ... 10	0	Installer	Amplification of the Antisland process
Antisland-Freq*	mHz	0 ... 2000	500	Installer	Repetition rate of the Antisland process
CO2-Fact	lbs/kWh	0 ... 2	1.7	Installer	The Sunny Boy evaluates the yield and indicates the approximate CO2 emission avoided by your Sunny Boy. The amount of CO2 avoided is computed according to the kWh produced (E-total) multiplied by the factor defined in the parameter "CO2".
Default		USA/UL1741/ 2005, OFF_Grid, NON IEEE1547	USA/ UL1741/ 2005	Installer	Used for adjusting the parameters country specific settings.  Note: After changing one of the parameters marked with "*", the parameter "Default" changes to "adjusted" automatically.
E_Total	kWh	0 ... 200000	0	Installer	Total energy yield of the inverter. Changing the value can be necessary when a Sunny Boy is exchanged and you wish to match the previously acquired data.
Fac-delta-*	Hz	0.2 ... 3.0	0.69 (for country setting USA/ UL1741/ 2005)	Installer	Maximum allowable operating frequency above and below 60 Hz Default value is optimal for installations < 30 kW.
Fac-delta+*	Hz	0 ... 4.5	0.49 (for country setting USA/ UL1741/ 2005)	Installer	
Fac-MinTripTime*	s	0.16 ... 300	0.16	Installer	Utility interconnection frequency trip time. Default value is optimal for installations < 30 kW.
Fan-Test		1 / 0	0	Installer	By setting this parameter to "1" you can check the function of the fans. This test turns the fans at maximum speed.

Name	Unit	Range	Default	Pass-word Level	Description
h_Total	h	0 ... 200000	0	Installer	Total total operating hours of the inverter. Changing the value can be necessary when a Sunny Boy is exchanged and you wish to match the previously acquired data.
Memory Function		no function Default param. Reset Op.Data Reset errors	no function	Installer	Default param.: Sets all parameters to default. Reset Op.Data: Sets all parameters that are visible in user level to default values. Reset errors: Resets all permanent device disable errors.
Operating Mode		MPP-Operation Turbine V-const Stop	MPP	Installer	Operating Modes of the Sunny Boy: MPP-Operation: Sets the Sunny Boy in Maximum Power Point Tracking Mode V-const: Constant Voltage Mode (Setpoint defined in "Vconst-Setval") Turbine: Operating mode for wind power plants Stop: Disconnection from utility, no operation
T-Max-Fan	°C	0 ... 100	90	Installer	Temperature for maximum fan rotation speed.
T-Start	s	5 ... 1600	10	Installer	The time the inverter waits to connect to the grid after Vpv-Start is exceeded.  This value defaults to 5 minutes after a utility fault.
T-Start-Fan	°C	0 ... 100	60	Installer	Fan turn-on temperature at minimum rotating speed.
T-Stop	s	1 ... 1800	2	Installer	The time that the Sunny Boy waits to disconnect from the grid when Pac falls below minimum necessary Vpv.
T-Stop-Fan	°C	0 ... 100	50	Installer	Fan turn-off temperature
V-Const Setval	V	SB 3000US: 185 ... 500 SB 4000US: 230 ... 600	SB 3000US: 500 SB 4000US: 600	Installer	PV Setpoint voltage for constant voltage operation. These parameters only are important in case the parameter "Operating Mode" is set to "V-const".
Vac-Min*	%	0 ... 50	12	Installer	Values are used to calculate the lower and upper limits of allowable AC voltage Default value is optimal for installations < 30 kW
Vac-Max*	%	0 ... 20	10	Installer	
Vac-Min-Fast*	%	0 ... 50	50	Installer	Values are used to calculate the lower and upper limits of allowable AC voltage for fast disconnection. Default value is optimal for installations < 30 kW.
Vac-Max-Fast*	%	0 ... 20	20	Installer	

Name	Unit	Range	Default	Password Level	Description
Vac-Min-Recnct*	%	0 ... 50	11.7		Values are used to calculate the lower and upper limits to reconnect to the grid after a grid failure.
Vac-Max-Recnct*	%	0 ... 20	5.83		
Vpv-Start	V	SB 3000US: 166 ... 480 SB 4000US: 208 ... 580	SB 3000US: 228 SB 4000US: 285	Installer	Minimum DC voltage for the Sunny Boy to connect to the grid.

The following parameters appear in parameter list but cannot be modified:

Table 7-2 Operating Parameters of the Sunny Boy (Fixed)

Name	Unit	Range	Default	Description
Plimit	W	fixed	SB3000US: 3050 SB4000US: 4050	Upper limit of AC output power
SMA-SN				Serial Number of the Sunny Boy
Software-BFR				Firmware version of the operation control unit (BFR)
Software-SRR				Firmware version of the current control unit (SRR)





# Section 8: Troubleshooting

## General

Our quality control program assures that each inverter is manufactured to exact specifications and is thoroughly tested before leaving the factory. If you encounter difficulty with the operation of your inverter, please follow the steps below in an effort to correct the problem.

- Check the blinking code of the LED display and compare it to the descriptions in Section 6: Commissioning.
- Check and record the exact "Mode" and/or "Error" messages on the LCD display or other communication system available. Take appropriate action to correct the issue.
- If necessary, check the DC and AC voltages at terminals inside the inverter. Be sure to observe all of the safety precautions listed throughout this manual when doing so, or hire a qualified professional.
- If the system problem persists, contact SMA America technical support at: (530)273-4895.

In order to better assist you when contacting SMA America, please provide the following information. This information is required for service assistance.

### Information Regarding the Sunny Boy:

- Serial number
- Model Number
- Short description of the problem
- Blinking Code or display message
- What error code is indicated on the LCD?
- AC line voltage
- DC line voltage
- Check GFDI Fuse
- Can you reproduce the failure? If yes, how?
- Has this problem occurred in the past?
- What were the operating conditions when the problem occurred?

**Information Regarding the PV modules:**

- Manufacturer name and model number of the PV module
- Output power of the module
- Open circuit voltage (Voc) of the module
- Number of modules in each string
- Number of PV strings connected to the inverter

If it becomes necessary to send the Sunny Boy back to the manufacturer for service, please ship it in the original box to avoid damage during shipping.

# Error Messages

If a fault occurs, the Sunny Boy generates an error code according to the operating mode and the type of fault detected.

Error Type	Error Code	Description
Disturbance	Bfr-Srr	Communication between micro-controllers is failing. Contact SMA for assistance.
Warning	Derating	The inverter reduces the output power due to high internal temperature. Verify that the fans are operating normally and that the intake screens are clean. Check the intake vents for debris. Verify that there is adequate ventilation around the inverter. This condition may be normal in periods of high ambient temperatures (above 45°).
Error	EarthCurMax-B	The earth current between PV+ and GND has exceeded the maximum limit. Check the PV array for ground faults.
Error	EarthCurMax-S	The earth current between PV+ and GND has exceeded the maximum limit. Check the PV array for ground faults.
Disturbance	EEPROM	Transition failure during reading or writing of data EEPROM, the data is not essential for safe operation - this failure does not effect performance.
Error	EEPROM p	Data EEPROM defective, device is set to permanent disable due to the fact that the data loss affects important functions of the inverter. Contact SMA for assistance.
Disturbance	EeRestore	Internal failure.
Disturbance	Fac-Bfr Fac-Srr	The AC grid frequency is exceeding the allowable range. ("Bfr" or "Srr" is an internal function.) The Sunny Boy assumes that the utility grid is down and disconnects to prevent islanding.  If the grid frequency is within the tolerable range and you still observe the failure message "Fac-Bfr" or "Fac-Srr", check for possible intermittent connections. For additional assistance, contact SMA.
Warning	GFDI Fuse Open	The GFDI-Fuse is open or cleared. Check the PV array for ground faults before replacing the fuse.
Disturbance	Grid-Timeout Grid-Fault-S	The type of grid could not be detected (208/240).
Disturbance	Imax	Over current on the AC side. This failure code is indicated if the current to the AC grid exceeds the allowable limit. This may happen due to harmful interference on the grid. If you observe "Imax" often, check your grid conditions. For assistance contact SMA.

Error Type	Error Code	Description
Disturbance	K1-Close	Relay test failed. Contact SMA for assistance.
Error	K1-Open	
Disturbance	MSD-FAC MSD-Idif	Internal measurement comparison error: The internal BFS and SRR processors are measuring different values. Contact SMA for assistance.
Error	MSD-VAC	
Disturbance	OFFSET	Grid monitoring self-test failed. Contact SMA for assistance.
Error	ROM	The internal test of the Sunny Boy control system firmware failed. Contact SMA for assistance.
Disturbance	Shut-Down	Internal over current continuous. Contact SMA for assistance.
Disturbance	Vac-Bfr Vac-Srr	<p>The AC grid voltage is exceeding the allowable range. ("Bfr" or "Srr" is an internal message and is not important for the user.) Vac can also result from a disconnected grid or a disconnected AC wire. The Sunny Boy assumes that the utility grid is down and disconnects to prevent islanding.</p> <p>If the grid voltage is within the tolerable range and you still observe the failure message "Vac-Bfr" or "Vac-Srr" contact SMA America.</p>
Disturbance	Vacl1-Bfr Vacl2-Bfr Vacl1-Srr Vacl2-Srr	Voltage is too high or too low on the indicated leg.
Disturbance	VpvMax !PV Overvoltage! !Disconnect DC!	DC input voltage above the maximum allowable limit. Disconnect DC immediately!
Disturbance	Watchdog	Watchdog for operation control triggered. Contact SMA for assistance.
Disturbance	XFMR_TEMP_F	High transformer temperature. The inverter will remain stopped until the transformer has cooled.
Warning	XFMR_TEMP_W	High transformer temperature is gone. The Sunny Boy starts working and shows the failure "XFMR_TEMP_W". Verify that the fans are operating normally and that the intake screens are clean. Check the intake vents for debris. Verify that there is adequate ventilation around the inverter. This condition may be normal in periods of high ambient temperatures (above 45°).

# Section 9:

## Maintenance

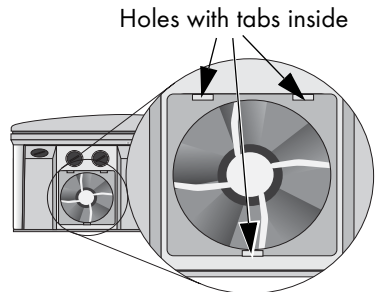
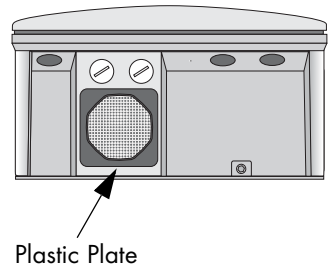
The Sunny Boy is designed to provide many years of trouble-free service. Performing regular maintenance will help ensure the long life and high efficiency of your system.

### Cleaning the Fan

The fan intake and handle covers should be cleaned periodically with a vacuum cleaner. (Do not blow air into the fan areas). For deeper cleaning, the screen and/or the fan can be removed completely.

The fan is mounted on the bottom side of the Sunny Boy. To clean or replace the fan please follow the steps below:

1. Turn OFF the external DC disconnect or switch the SMA DC-Disconnect to the "0" position and turn OFF the AC disconnect and wait 5 minutes for any residual voltages to dissipate.
2. Disconnect the Sunny Boy from both the DC and AC connections, paying attention to the safety instructions in section 5: Wiring the Sunny Boy.
3. Wait for the fan to stop rotating.
4. Carefully remove the black plastic plate and filter in front of the fan with the two plastic tabs on the upper border.
5. The fan is fastened with three plastic tabs on the enclosure. There are two holes in front and one on the back. The tabs are inside the holes. You can loosen the tabs by pressing a screwdriver against the tabs.
6. Remove the fan carefully.
7. To clean the fan and filter use a soft brush or cloth. Do not use air pressure for cleaning the fan. This will damage the fan.



8. When the fan is clean, reinstall it using the above steps in reverse order.
9. Do not blow air through the fan or the fan screen while the fan is still mounted in the Sunny Boy.

## Testing the Fan

You can verify the operation of the fan in two ways:

- Set the parameter "Fan Test" to "1" (with Sunny Data, Sunny Data Control or with the data logger Sunny Boy Control).

or

- Turn off the inverter by turning off the AC disconnect and then the DC disconnect (switch the SMA DC-Disconnect to the "0" position) and wait 5 minutes for any residual voltages to dissipate.
- Once the LED's are off, remove the cover and set the jumpers as shown in Figure 9-1.
- Turn on the inverter by turning on the AC disconnect and then the DC disconnect (switch the SMA DC-Disconnect to the "1" position).
- After testing the fans, remove the jumpers.

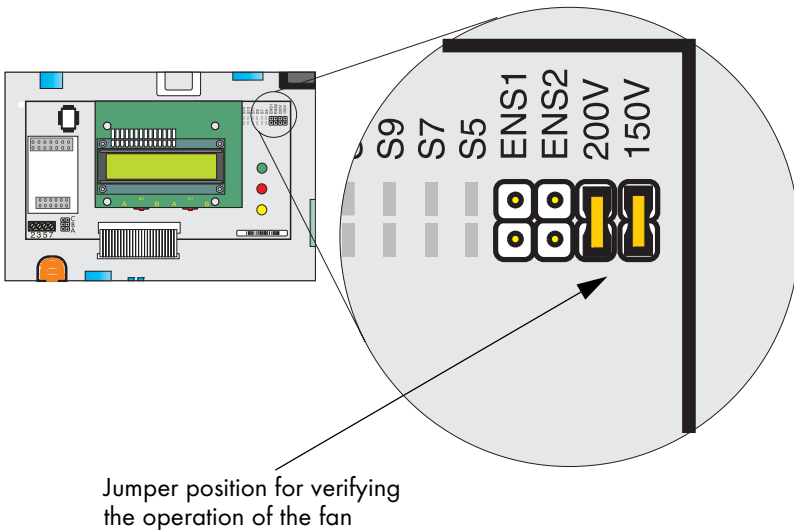
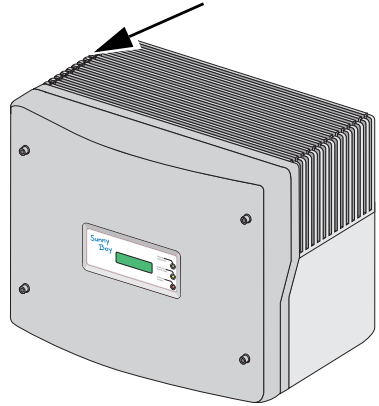


Figure 9-1 Jumper Position for Fan Test

# Cleaning the Handle Cover

The handle cover mounted on the left side (as you face it) of the Sunny Boy covers the cooling fan exhaust port. To clean the handle cover, follow the steps below.

- Put your fingers into the opening on the top of the Sunny Boy next to the handle cover and gently remove it. (It is only snapped in.)
- Clean the filter and fins with a soft brush or cloth. Use mild soap and water if necessary.
- When the fins are clean, reinstall the handle cover.



Note: The handle cover must not be removed permanently, because otherwise the device is not protected against the entrance of insects! Should the handle cover break, a new handle cover can be ordered from SMA America.

# Exchanging the Fuses

## Exchanging the GFDI Fuse within the Sunny Boy

1. Turn OFF all AC and DC switches and/or breakers.
2. Wait for at least 5 minutes.
3. Open the Sunny Boy.
4. Exchange the fuses.

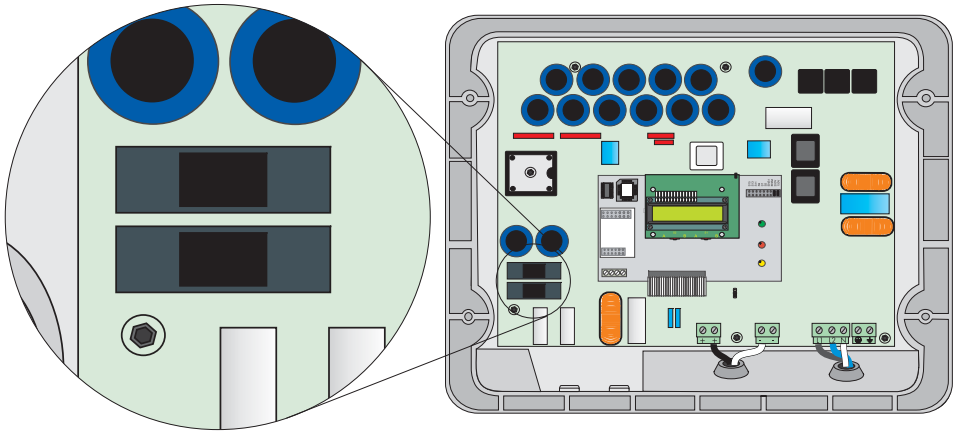


Figure 9-2 Position of fuses within the Sunny Boy



**WARNING:** For continued protection against risk of fire, replace only with the same type and ratings of fuse (600 V<sub>DC</sub>, 1 A)!

5. Close the Sunny Boy.
6. Turn ON all AC and DC switches and/or breakers.



## Exchanging the PV String Fuses within the SMA DC-Disconnect

1. Turn OFF all AC and DC switches and/or breakers.
2. Wait for at least 5 minutes.
3. Open the Sunny Boy.
  - Exchange the fuses having regard to the information on the next page.

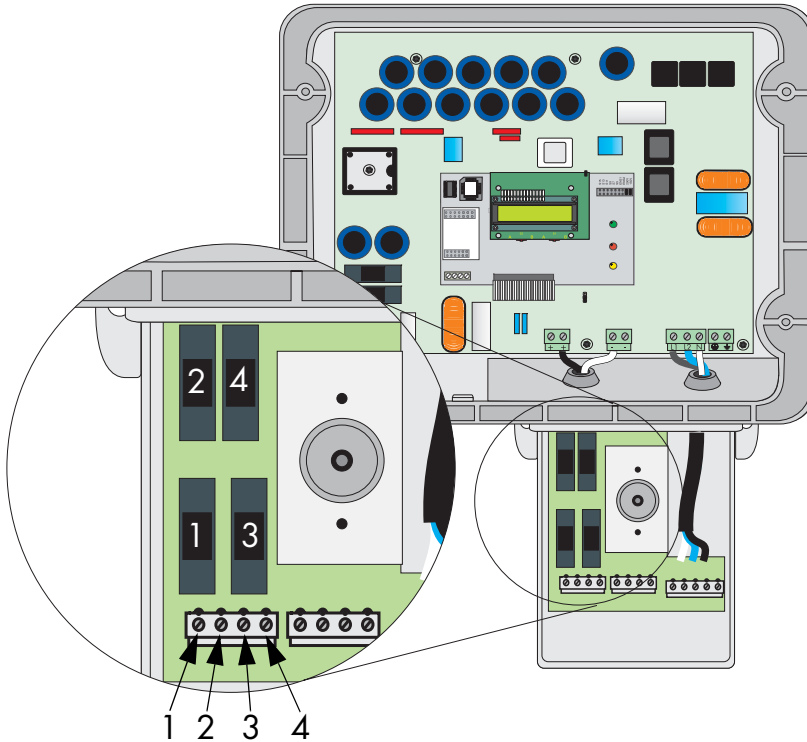


Figure 9-3 Position of Fuses within the SMA DC-Disconnect

4. Close the Sunny Boy.
5. Turn ON all AC and DC switches and/or breakers.

## PV String Fuse Sizing

In any electrical system, fuses are used to protect wiring and equipment from excessive currents that can cause damage, heating or in extreme cases even fire. If the fuse rating is too small it could open during normal operation. If the fuse rating is too large, it cannot provide the needed protection. In PV systems, the minimum and maximum size of the series fuse is determined by the electrical ratings of the PV module as well as by UL and National Electrical Code (NEC) requirements. Be sure to consult with your PV module manufacturer for appropriate PV string fuse ratings.

The minimum size of fuses and wiring are calculated using the Short Circuit Current Rating (Isc) of the PV module. The NEC requires that all fuses and wiring be sized for a minimum of 1.56 times the Isc of the PV module used in the system. The proper size PV string fuse is determined by calculating  $1.56 \times I_{sc}$  (of the PV module) and then rounding up to the next standard fuse size.



Example: If the Isc of the PV module equals 6.9 Adc, then the PV string fuse size is determined by  $1.56 \times 6.9 = 10.76$ . The next standard fuse size would be a 12A, 600Vdc fuse.



**CAUTION:** *The string fuse size must not be greater than the maximum fuse size rating of the PV module as provided on the PV module manufacturer data sheet. If no maximum fuse size is indicated, please contact the PV module manufacturer.*

## DC Disconnect Requirements

NEC 690.15-18 allows the use of fuse holders as a suitable means of disconnecting PV arrays for servicing. Additional DC disconnects external to the inverter may be required by the local authority having jurisdiction.



**WARNING:** **Never remove a fuse while it is under load. Electrical arcing and damage to the fuse holder will occur if a fuse removed under load.**

## PV String Fuses

The SMA DC-Disconnect is shipped with 15 A, 600 Vdc fuses in the fuse holders. Illustration 9-3 on page 9-5 shows the string fuse holders and their corresponding terminals.

# Section 10: Technical Specifications

## FCC Compliance Information

SMA Utility Interactive Inverter, Model Sunny Boy

This device complies with Part 15 of the FCC Rules. Operation is subject to the following conditions:

- (1) This device may not cause harmful interference, and
- (2) this device must accept any interference received, including interference that may cause undesired operation.

NOTE: This equipment has been tested and found to comply with the limits for a Class B digital device, pursuant to Part 15 of the FCC Rules. These limits are designed to provide reasonable protection against harmful interference in a residential installation. This equipment generates, uses, and can radiate radio frequency energy and if not installed and used in accordance with the instructions, may cause harmful interference to radio communications. However, there is no guarantee that interference will not occur in a particular installation. If this equipment does cause harmful interference to radio or television reception, which can be determined by turning the equipment off and on, the user is encouraged to try to correct the interference by one or more of the following measures:

- Reorient or relocate the receiving antenna.
- Increase the separation between the equipment and the receiver.
- Connect the equipment into an outlet on a circuit different from that to which the receiver is connected.
- Consult the dealer or an experienced radio/TV technician for help.
- The user is cautioned that changes or modifications not expressly approved by SMA America, Inc. could void the user's authority to operate this equipment.

Contact SMA America for more information.

12438 Loma Rica Drive

Grass Valley, CA 95945, USA

530.273.4895

[www.sma-america.com](http://www.sma-america.com)

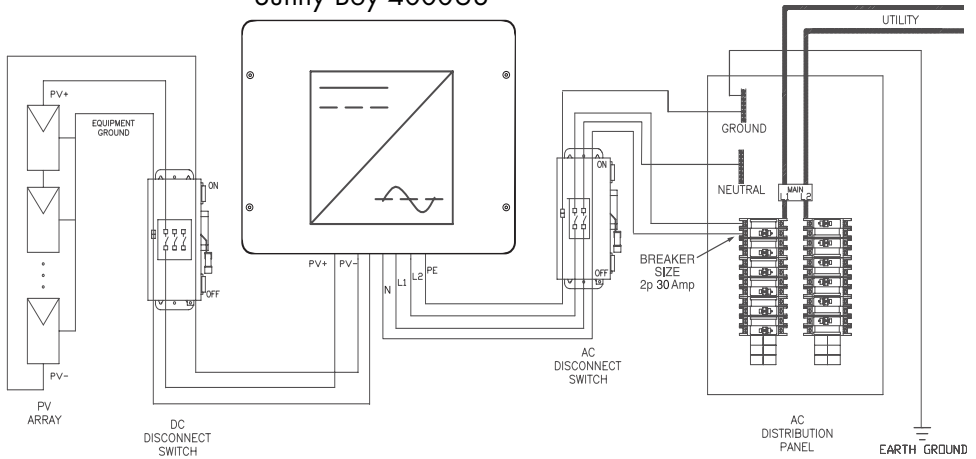
# Sunny Boy Wiring Diagram

Sunny Boy connection to 208 and 240 V AC utility grids.

The AC disconnect switch shown below may or may not be required by the local utility.

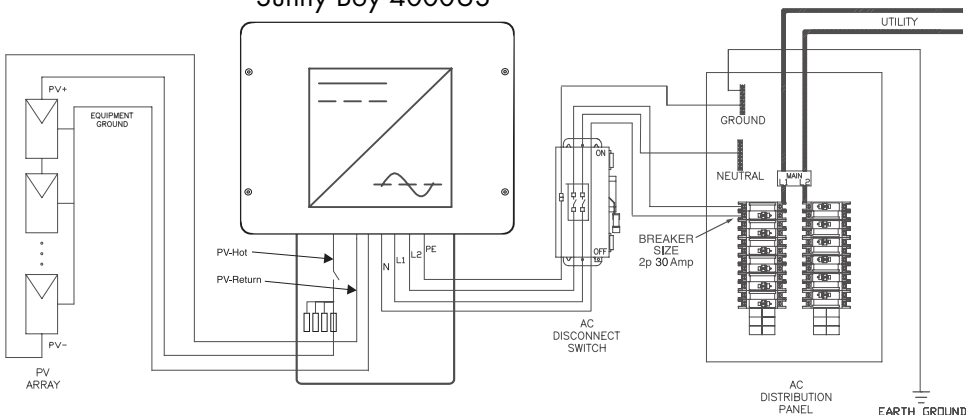
## Wiring Diagram without SMA DC-Disconnect

Sunny Boy 3000US  
Sunny Boy 4000US



## Wiring Diagram with SMA DC-Disconnect

Sunny Boy 3000US  
Sunny Boy 4000US



# Specifications

Inverter Technology	Sine-wave, current source, high frequency PWM
AC Input Voltage	183 - 229 @ 208 V AC 211 - 264 @ 240 V AC
AC Input Frequency	59.3 - 60.5 (60 Hz)
Peak Power Tracking Voltage	SB 3000US: 200 - 400 V DC (@ 240 V AC) SB 3000US: 180 - 400 V DC (@ 208 V AC)  SB 4000US: 250 - 480 V DC (@ 240 V AC) SB 4000US: 220 - 480 V DC (@ 208 V AC)
Range of Input Operating Voltage	SB 3000US: 200 - 500 V DC SB 4000US: 250 - 600 V DC
Maximum DC Power	SB 3000US: 3250 W SB 4000US: 4300 W
Maximum AC Continuous Output Power	SB 3000US: 3000 W SB 4000US: 4000 W
Current THD	Less than 4%
Output Power Factor	0.95 - 1.0
Peak Inverter Efficiency	SB 3000US: 96.6 % SB 4000US: 96.8 %
CEC Weighted Efficiency	SB 3000US: 95.0 % @ 208 V AC SB 3000US: 95.5 % @ 240 V AC  SB 4000US: 95.5 % @ 208 V AC SB 4000US: 96.0 % @ 240 V AC
Cooling	fan, temperature speed controlled
PV Start Voltage	SB 3000US: 230 V SB 4000US: 285 V
Maximum AC Continuous Output Current	SB 3000US: 15 A SB 4000US: 17 A
Maximum DC Input Current	SB 3000US: 17 A SB 4000US: 18 A

Maximum Input Short Circuit Current	SB 3000US: 24 A SB 4000US: 25 A
Maximum Input Source Back-feed Current to Input Source	SB 3000US: 30 A SB 4000US: 30 A
Maximum Output Fault Current	30 A
Maximum Output Overcurrent Protection	30 A
Synchronization In-Rush Current	8 A
Trip Limit Accuracy	± 2 %
Trip Time Accuracy	± 0.1%
DC Voltage Ripple	Less than 10 %
Power Consumption	0.1 W nighttime, < 7 W in operation
Ambient Temperature Rating	-25 °C ... +45 °C
Enclosure	NEMA 3R (IP54) (aluminum)
Dimensions	17.80 W x 13.83 H x 9.30 D inches (452 W x 351H x 236 D mm)
Weight	88 lbs. (40 kg)
Compliance	UL1741, UL 1998, IEEE 1547, IEEE 929, IEEE C37.90.1, IEEE C62.41.2 (test conditions 2 kV/1 kA), FCC Part 15 A & B

Specifications subject to change without notice.

# Trip Limits / Trip Times

Nominal Freq. (Hz)	Trip Limit (Hz)	Trip Frequencies (Hz)	Trip Times (s)
60	> 60.5	60.45 - 60.55	max. 0.1602
	< (57.0 - 59.8) (default 59.3)	56.95 - 59.85 (default 59.25 - 59.35)	adjustable 0.16 - 300 (default max. 0.1602)
	< 57.0	56.95 - 57.05	max. 0.1602

Nominal Voltage (V)	Trip Limit	Trip Voltages Line-to-Neutral (V)	Trip Voltages Line-to-Line (V)	Trip Times (s)
208	50 %	57.6 - 62.4	99.8 - 108.2	max. 0.1602
	88 %	103.2 - 108.0	178.9 - 187.2	max. 2.002
	110 %	129.6 - 134.4	224.6 - 233.0	max. 1.001
	120 %	141.6 - 146.4	245.4 - 253.8	max. 0.1602
240	50 %	57.6 - 62.4	115.2 - 124.8	max. 0.1602
	88 %	103.2 - 108.0	206.4 - 216.0	max. 2.002
	110 %	129.6 - 134.4	259.2 - 268.8	max. 1.001
	120 %	141.6 - 146.4	283.2 - 292.8	max. 0.1602

## Manufacturer's Accuracies:

- Trip Limit Accuracy:  $\pm 2\%$  of nominal grid voltage
- Trip Time Accuracy:  $\pm 0.1\%$  of nominal trip time
- Trip Frequency Accuracy:  $\pm 0.1\%$  of nominal frequency

# Torque Values and Wire Sizes

<b>Terminal</b>	<b>in. lbs.</b>	<b>Nm.</b>	<b>Wire Size</b>
AC & DC Terminal Blocks Inverter	15	1.7	6 - 10 AWG
AC & DC Terminal Blocks SMA DC-Disconnect	15	1.7	6 - 10 AWG
M6 x 10 screws for fastening the Sunny Boy and the SMA DC-Disconnect to the wall mounting bracket and closing the SMA DC-Disconnect cover	44	5	—
M6 x 16 Cover Screws	79	9	—





**SMA America, Inc.**

[www.sma-america.com](http://www.sma-america.com)

12438 Loma Rica Drive, Unit C  
Grass Valley, CA 95945  
Phone 530.273.4895  
Fax 530.274.7271  
E-mail: [info@sma-america.com](mailto:info@sma-america.com)  
Toll Free 888-4SMAUSA



**SMA Technologie AG**

Niestetal, Germany  
E-mail: [info@SMA.de](mailto:info@SMA.de)

**SMA Beijing Commercial Co., Ltd.**

Beijing, China  
E-mail: [info@SMA-China.com](mailto:info@SMA-China.com)

**SMA Technology Korea Co., Ltd.**

Seoul, Korea  
E-mail: [info@SMA-Korea.com](mailto:info@SMA-Korea.com)

**SMA Ibérica Tecnología Solar, S.L.**

Barcelona, Spain  
E-mail: [info@SMA-Iberica.com](mailto:info@SMA-Iberica.com)

**SMA Italia S.r.l.**

Milan, Italy  
E-mail: [info@SMA-Italia.com](mailto:info@SMA-Italia.com)

**SMA France S.A.S.**

Lyon, France  
E-mail: [info@SMA-France.com](mailto:info@SMA-France.com)

