

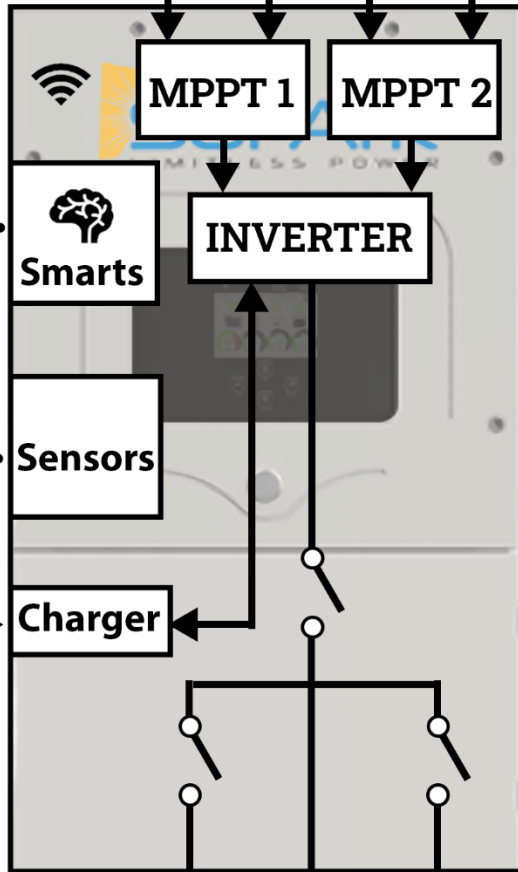
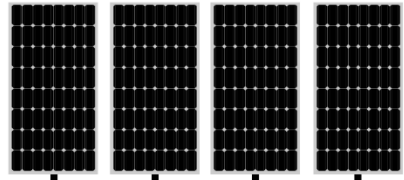


8K[™] BROCHURE



Cloud Monitoring & Programming

11kW DC Coupling
150V-425V @ 20A
per MPPT



Modes:
Grid Sell, Off-Grid, Meter Zero,
Time of Use,
& Peak Shaving

Smarts

4ms UPS
No-Glitch Transfer

RSD/Emergency Stop,
External CT Sensors, Parallel
Comms/Battery Comms,
Auto Gen Start

Sensors

Battery Agnostic
48V Nominal &
at least 50Ah

Charger

Smart Load
Prioritize
Necessities &
Run Luxuries
With Less

Grid or Generator
63A Passthrough

Off-Grid Loads
8kW Continuous
16kW Peak

Gen Breaker
Up to 12kW
Generator Input

AC Coupling
9.6kW Output



8K™



Install Simplicity

Unlike many hybrid inverters, our system is an all-in-one unit. You don't have to piece together multiple parts to get basic functions. Ours does it all, does it better, and does it with simplicity.

Highest Rating on Energy Sage

Nothing but positive reviews on EnergySage. We have a long track record of satisfied customers, as well as customers that have switched from other big names to go with our products instead.

7 Day/Week Engineering & Customer Support

Sol-Ark beats all competition at customer support. We have engineers ready to assist with all questions, diagnosis, homeowner support, and remote unit management. We can solve virtually any problem without a site visit.

Feature Comparison	Sol-Ark 8K	Tesla Powerwall 2	Generac PWRCell	Solar Edge/LG Energy Hub	Enphase Encharge 10
Install Simplicity	All-In-One Hybrid, Solar Batt Calculator, Some Load Mgmt	Entire Home Transfer Switch, No Load Mgmt	Entire Home Transfer Sitch, All-In-One Hybrid, Some Load Mgmt	Entire Home Transfer Switch, No Load Mgmt	Entire Home Transfer Switch, No Load Mgmt
7 day single line support	Yes	No	Yes	No	Yes
Peak Current (Off Grid)	63A	30A	50A	30A	24.6A
Continuous Power (On Grid)	8kW	5kW	7.6kW	5kW	3.84kW
Usable Battery Energy	20kWh	13.5kWh	18kWh	9.3kWh	10.5kWh
Battery Life Span	15 Years (LFP)	10 Years (NMC Active Cooling)	10 Years (NMC Active Cooling)	7 Years (NMC Passive Cooling)	15 Years (LFP)
PV to Batt to AC Efficiency	93%	87%	85%	82%	87%
Charging Batt from Gen	Yes	No	No	No	No
Fleet Mgmt Tool w/ Remote Setup	Yes	No	Yes	Yes	Yes



Phone: 972-575-8875

Email:

Tech Questions: support@sol-ark.com

Sales Questions: sales@sol-ark.com

Address: 5833 Curtis Rd #200, Parker, TX 75002